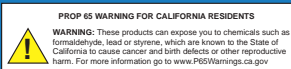


LED LIC

“
Love all of the options
you have with this
lighting. Being able to
change the color at any
time or on occasion is
fantastic!

- Chris

tresco 
lighting



LIGHTING



Enhance the appearance and functionality of your home or business with Tresco®'s energy efficient, low-heat producing, long-life lighting fixtures. Whether you're in the kitchen, millwork, office, laboratory, hospitality, furniture or store fixture industry, you're sure to find a lighting solution in our extensive catalogue of options. A leader in easy-to-install LED lighting, we offer a wide array of puck lights, flexible lights, linear lights, and more. We also feature an array of controllers and dimmers, allowing you to tailor the atmosphere of your space. Have a custom application? From art to part, Tresco will design and manufacture a lighting solution based on your specific needs.

Waste

Blind Corner

Sink

Base

Tall

Drawer

Wall

Vanity

Closet

Lazy Susan

LED Lighting

Table of Contents



12VDC



24VDC



120V



Battery

Introduction 409

Puck Lighting 412

12VDC

Power Pockit® 3W 412

Power Pockit® 5W 414

3W EquiLine Puck 416

24VDC

4W CCT Power Pockit® 418

Linear Lighting 422

12VDC

FineLine 2.0 422

SimpLED 2.0 424

Eurolinx 426

Single Color Flexible Linear 428

12VDC

FlexTape® 428

12VDC COB FlexTape® 434

24VDC

24VDC COB FlexTape® 436

12VDC

12VDC Side-Emitting Neoloop 438

12VDC Top-Emitting Neoloop 439

24VDC

24VDC Side-Emitting Neoloop 440

24VDC Top-Emitting Neoloop 441

Tunable Flexible Linear 444

12VDC

12VDC White Tunable FlexTape® 444

24VDC

24VDC White Tunable FlexTape® 445

12VDC

12VDC RGB Balance Tunable FlexTape® 448

24VDC

24VDC RGB Balance Tunable FlexTape® 449

24VDC RGB Standard Tunable FlexTape® 450

Extrusions 452

Infinex 452

Panel Lighting 460

12VDC

Etch 460

24VDC

Snap 464

Snip 468

Components 470

Power Supplies 470

Controllers 478

Install Accessories 492



Technology 496

Swidget 496



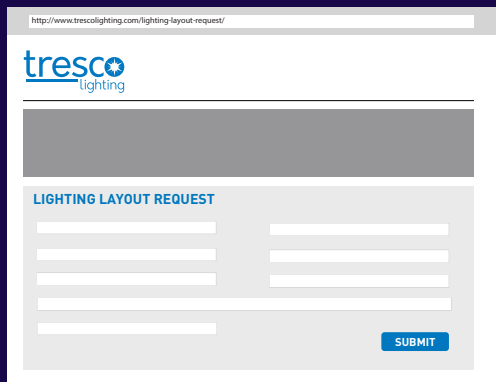
For overview and installation videos on many of our products visit: trescolighting.com/videos

COMPLIMENTARY

Layout Design Services

The increasingly popular application of LED lighting is new to many design professionals. Let our Lighting Layout Assistance Program guide you in specifying the ideal product and wiring schematic for your next residential or commercial project.

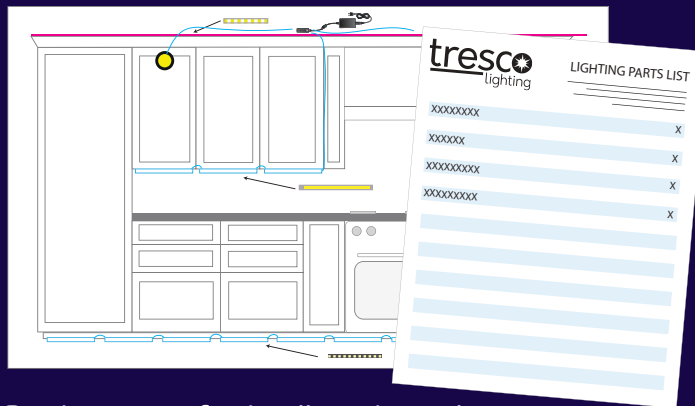
Typical Setup:



Visit: trescolighting.com/layout



Fill out the form and upload your drawings.



Receive your professionally engineered schematic and matching parts list.

GET STARTED TODAY



trescolighting.com/layout

Quality

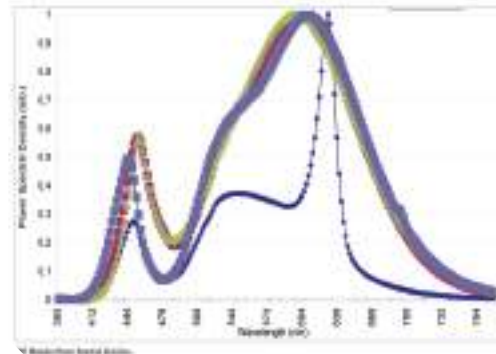
Superior components ensure Tresco® lights are brighter and wider light spread than the competition. We use world-renowned suppliers who employ static and dust-free clean rooms, proper binning, and use of high-grade phosphors to achieve efficiency, high lumen and color consistency.

When it comes to LED, the diode makes the difference. That is why we use brands like Nichia and Cree.



Independent Testing

We don't just say our lights are better — we prove it. Independent testing certification available for TM21, LM80, and LM79 photometrics to provide specification charts. Charts are printed next to our lights for proper specification of our products.

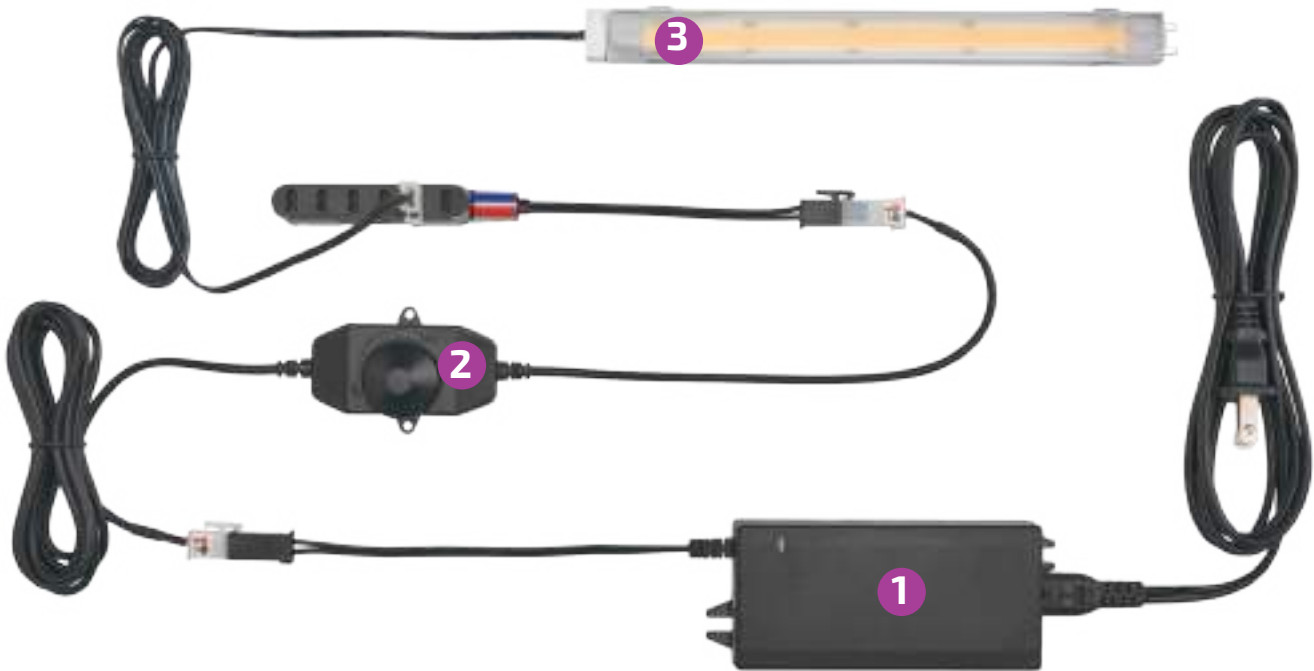


Safety Listings

At Tresco®, safety is a top priority. All of our products carry UL, ETL or QPS safety certifications for the United States and Canada.

CE marking permits a product to be sold throughout the European Union. It is a conformity mark noting the product complies with all applicable European directives.





We Make Lighting Easy

Easy as 1 - 2 - 3.

- 1) Universal power supply
- 2) Controller connects to the power supply
- 3) Light fixture connects to the controller

Universal System

Tresco®'s in-house design and manufacturing teams create LED lights to work with one power source. Other products require different power supplies for different lights, but Tresco®'s LED lights are designed to work with a single 12VDC or 24VDC power supply. No more wiring nightmares.



In-House Design

We are not your typical lighting company. From art to part, we design and manufacture custom lighting solutions based on your specific needs.



Luniformal


Luniformal is the technology to eliminate "dotted" appearances and reduce unwanted glare within light emitting diode fixtures.

Waste
Blind Corner
Sink
Base
Tall
Drawer
Wall
Vanity
Closet
Lazy Susan

Power Pockit® 3W

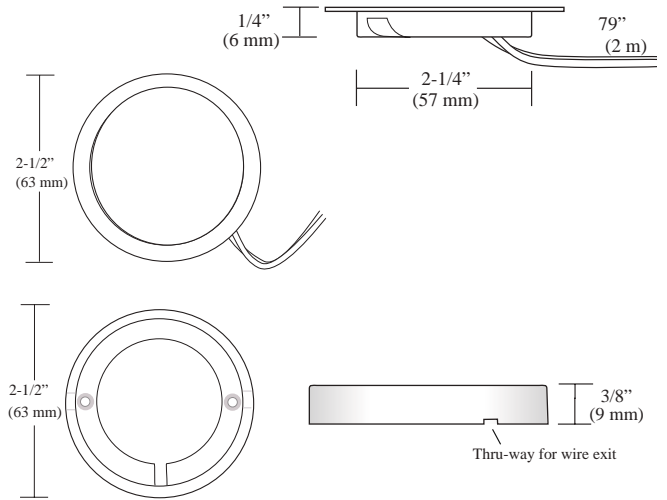
12VDC



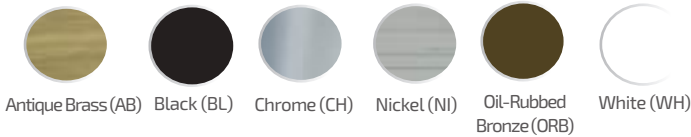
3W	234 Lumens	 120°
<p>The Power Pockit® 3W is a versatile choice offering flood and task lighting that can be used for interior cabinets, under cabinets and store displays. This 3W energy efficient LED provides a crisp, uniform wash over illuminated objects.</p>		




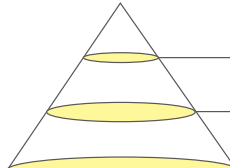

Dimensions:



Available Finishes:

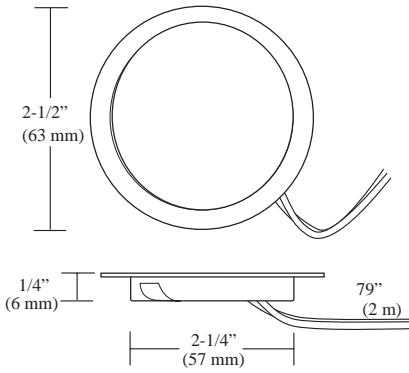


Specifications:

Wattage	Lumens	Efficacy (lm/W)	Input Voltage	Diode Life	Max Per 60W Power Supply	Mounting	Warranty	Beam Angle	
3W	234	78	12VDC	50,000 Hours	20 Fixtures	Recess/ Surface	5 Year		
Photometric Data					Color Temperature				
	Height	Light Output	Beam Area						
	1ft (.3 m)	81.30Fc (875.1lx)	3.1ft L x 3.1ft W (1 m L x 1 m W)		2700K	3000K	4500K	5500K	6500K
	3ft (.9 m)	9.03Fc (97.2lx)	9.2ft L x 9.2ft W (2.8 m L x 2.8 m W)		▲ Warm (3000K)	▲ Neutral (3500K)	▲ Cool (5000K)		
6ft (1.8 m)	2.26Fc (24.3lx)	18.4ft L x 18.4ft W (5.6 m L x 5.6 m W)							
L-POC-3LEDSFR-C Tested									

● 12VDC 3W Power Pockit® Series

● Required
● Optional



Part #	Description	SLP
L-POC-3LEDSFR-CAB-1	12VDC 3W 5000K Power Pockit®, Antique Brass	\$99.00
L-POC-3LEDSFR-CBL-1	12VDC 3W 5000K Power Pockit®, Black	\$99.00
L-POC-3LEDSFR-CCH-1	12VDC 3W 5000K Power Pockit®, Chrome	\$99.00
L-POC-3LEDSFR-CNI-1	12VDC 3W 5000K Power Pockit®, Nickel	\$99.00
L-POC-3LEDSFR-CWH-1	12VDC 3W 5000K Power Pockit®, White	\$99.00
L-POC-3LEDSFR-NNI-1	12VDC 3W 3500K Power Pockit®, Nickel	\$99.00
L-POC-3LEDSFR-NBL-1	12VDC 3W 3500K Power Pockit®, Black	\$99.00
L-POC-3LEDSFR-WAB-1	12VDC 3W 3000K Power Pockit®, Antique Brass	\$99.00
L-POC-3LEDSFR-WBL-1	12VDC 3W 3000K Power Pockit®, Black	\$99.00
L-POC-3LEDSFR-WCH-1	12VDC 3W 3000K Power Pockit®, Chrome	\$99.00
L-POC-3LEDSFR-WNI-1	12VDC 3W 3000K Power Pockit®, Nickel	\$99.00
L-POC-3LEDSFR-WORB-1	12VDC 3W 3000K Power Pockit®, Oil-Rubbed Bronze	\$99.00
L-POC-3LEDSFR-WWH-1	12VDC 3W 3000K Power Pockit®, White	\$99.00

● 12VDC Power Supplies



Part #	Description	SLP
L-DC-ELT18-CON-1	12VDC 18W Power Supply w/ 6 Snap Mounting Block*	\$73.20
L-DC-SLELT30-1	12VDC 30W Power Supply w/ 6 Snap Mounting Block*	\$97.45
L-DC-SLELT60-1	12VDC 60W Power Supply w/ 6 Snap Mounting Block*	\$126.15
L-DC-ELT6WP-CON-1	12VDC 6W Wall Mount Power Supply w/ 3 Snap Block*	\$32.35
L-DC-ELT15WP-CON-1	12VDC 15W Wall Mount Power Supply w/ 6 Snap Block*	\$41.75
L-DC-EQ30-1	12VDC 30W EquiLine Power Supply w/ 6 Snap Block*	\$68.00
L-DC-EQ60-1	12VDC 60W EquiLine Power Supply w/ 6 Snap Block*	\$87.05
L-DCE30D-CON-1	12VDC 30W Hardwire Dimmable LED Power Supply†	\$126.00
L-DCE60D-CON-1	12VDC 60W Hardwire Dimmable LED Power Supply†	\$200.20
L-12DCH60X1-1	12VDC 60W Commercial/Industrial Metal Hardwire Dimmable Power Supply‡	\$200.45
L-12DCH60X3-1	12VDC 120W Commercial/Industrial Metal Hardwire Dimmable Power Supply‡	\$440.75

* Dimmable on trailing edge (12VDC side). Mounting block and power cord are included.

† Dimmable by LED line voltage (120V) wall dimmers. Mounting block included.

‡ Dimmable by LED line voltage (120V) wall dimmers. Mounting block not included.

All hardwire power supplies require an electrician for install.



COMPONENTS: POWER SUPPLIES, CONTROLLERS & MORE SEE PAGE 470.

Power Pockit® 5W

12VDC



Available Finishes:



Black (BL)



Nickel (NI)

Oil-Rubbed
Bronze (ORB)

White (WH)

5W

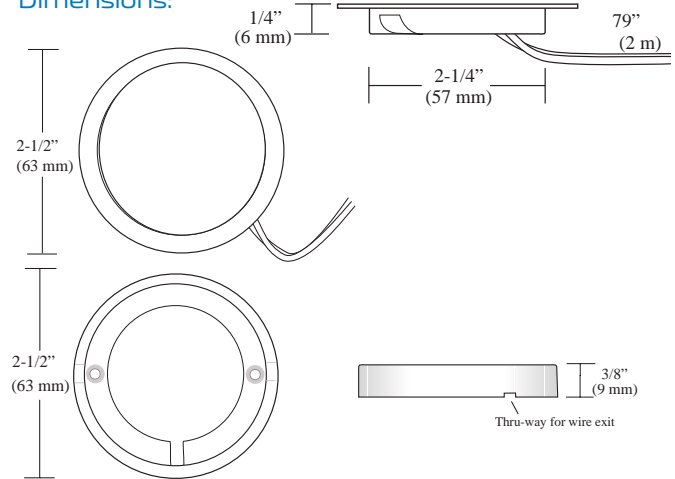
290 Lumens



The next generation of Power Pockit® is an astounding 25% more output than our original industry leading 3W version. With Luniform technology, 290 lumens of light are evenly distributed and eliminate the "dotted" appearance on surfaces. At only 1/4" (6 mm) depth, the Power Pockit® 5W has the the maximum illumination required in a small package.



Dimensions:

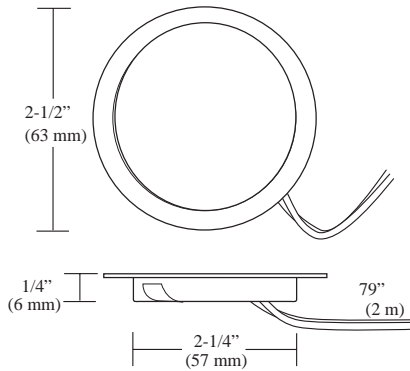


Specifications:

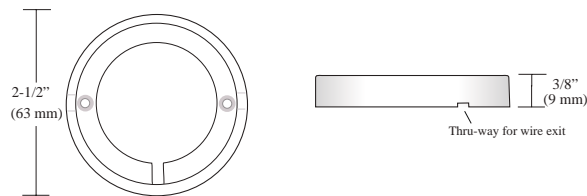
Wattage	Lumens	Efficacy (lm/W)	Input Voltage	Diode Life	Max Per 60W Power Supply	Mounting	Warranty	Beam Angle
5W	290	58	12VDC	50,000 Hours	12 Fixtures	Recess/ Surface	5 Year	
Photometric Data					Color Temperature			
	Height	Light Output	Beam Area					
	1ft (.3 m)	115.90Fc (1247.5lx)	2.4ft L x 2.5ft W (.73 m L x .76 m W)		Warm White Warm to Neutral Cool White Daylight 2700K 3000K 4500K 5500K 6500K ▲ Warm (3000K) ▲ Cool (5000K)			
	3ft (.9 m)	12.88Fc (138.6lx)	7.3ft L x 7.4ft W (2.2 m L x 2.3 m W)					
6ft (1.8 m)	3.22Fc (34.7lx)	14.6ft L x 14.8ft W (4.5 m L x 4.5 m W)						
L-POC-SLED-C Tested								

- Required
- Optional

● **12VDC 5W Power Pockit®**



Surface Mount Ring is included with each light.



Part #	Description	SLP
L-POC-5LEDSCL-CBL-1	12VDC 5W 5000K Power Pockit®, Black	\$105.60
L-POC-5LEDSCL-CNI-1	12VDC 5W 5000K Power Pockit®, Nickel	\$105.60
L-POC-5LEDSCL-CWH-1	12VDC 5W 5000K Power Pockit®, White	\$105.60
L-POC-5LEDSCL-WBL-1	12VDC 5W 3000K Power Pockit®, Black	\$105.60
L-POC-5LEDSCL-WNI-1	12VDC 5W 3000K Power Pockit®, Nickel	\$105.60
L-POC-5LEDSCL-WORB-1	12VDC 5W 3000K Power Pockit®, Oil-Rubbed Bronze	\$105.60
L-POC-5LEDSCL-WWH-1	12VDC 5W 3000K Power Pockit®, White	\$105.60

2-1/4" (57 mm) hole required for recessed mounting.
 Power Pockit® includes Surface Mount Ring, AMP® Connector, and 79" (2 m) input lead.

● **12VDC Power Supplies**



For details see
Power Supplies
 on Page 470.

Part #	Description	SLP
L-DC-ELT18-CON-1	12VDC 18W Power Supply w/ 6 Snap Mounting Block*	\$73.20
L-DC-SLELT30-1	12VDC 30W Power Supply w/ 6 Snap Mounting Block*	\$97.45
L-DC-SLELT60-1	12VDC 60W Power Supply w/ 6 Snap Mounting Block*	\$126.15
L-DC-ELT6WP-CON-1	12VDC 6W Wall Mount Power Supply w/ 3 Snap Block*	\$32.35
L-DC-ELT15WP-CON-1	12VDC 15W Wall Mount Power Supply w/ 6 Snap Block*	\$41.75
L-DC-EQ30-1	12VDC 30W EquiLine Power Supply w/ 6 Snap Block*	\$68.00
L-DC-EQ60-1	12VDC 60W EquiLine Power Supply w/ 6 Snap Block*	\$87.05
L-DCE30D-CON-1	12VDC 30W Hardwire Dimmable LED Power Supply†	\$126.00
L-DCE60D-CON-1	12VDC 60W Hardwire Dimmable LED Power Supply†	\$200.20
L-12DCH60X1-1	12VDC 60W Commercial/Industrial Metal Hardwire Dimmable Power Supply‡	\$200.45
L-12DCH60X3-1	12VDC 120W Commercial/Industrial Metal Hardwire Dimmable Power Supply‡	\$440.75

* Dimmable on trailing edge (12VDC side). Mounting block and power cord are included.
 † Dimmable by LED line voltage (120V) wall dimmers. Mounting block included.
 ‡ Dimmable by LED line voltage (120V) wall dimmers. Mounting block not included.
 All hardwire power supplies require an electrician for install.



COMPONENTS: POWER SUPPLIES, CONTROLLERS & MORE SEE PAGE 470.

Waste
 Blind Corner
 Sink
 Base
 Tall
 Drawer
 Wall
 Vanity
 Closet
 Lazy Susan

Economy Series

3W EquiLine Puck

12VDC

3W

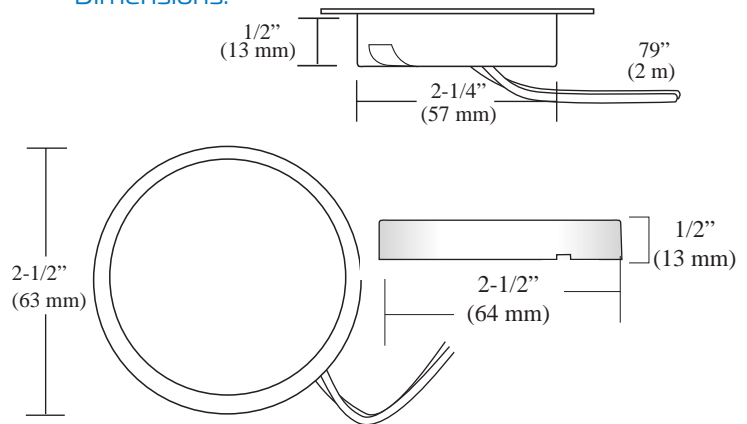
218 Lumens

100°

With recessed or surface mount ability, EquiLine LED Pucks are perfect for use in a wide range of applications. Designed for the economically conscious, they feature a slim profile and a 79" (2 m) starter cord attached with an unattached AMP® connector for easy wire routing.



Dimensions:



Available Finishes:



Black (BL)



Nickel (NI)

Specifications:

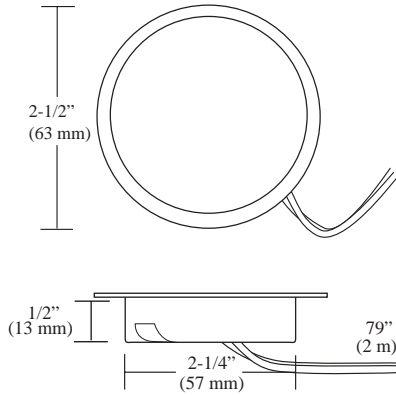
Wattage	Lumens	Efficacy (lm/W)	Input Voltage	Diode Life	Max Per 60W Power Supply	Mounting	Warranty	Beam Angle											
3W	218	73	12VDC	25,000 Hours	20 Fixtures	Recess/ Surface	2 Year	100°											
Photometric Data					Color Temperature														
		<table border="1"> <thead> <tr> <th>Height</th> <th>Light Output</th> <th>Beam Area</th> </tr> </thead> <tbody> <tr> <td>1ft (.3 m)</td> <td>89.00Fc (958lx)</td> <td>2ft diameter (.6 m diameter)</td> </tr> <tr> <td>3ft (.9 m)</td> <td>9.89Fc (106.5lx)</td> <td>7ft diameter (2.1 m diameter)</td> </tr> <tr> <td>6ft (1.8 m)</td> <td>2.47Fc (26.6lx)</td> <td>14ft diameter (4.3 m diameter)</td> </tr> </tbody> </table>	Height	Light Output	Beam Area	1ft (.3 m)	89.00Fc (958lx)	2ft diameter (.6 m diameter)	3ft (.9 m)	9.89Fc (106.5lx)	7ft diameter (2.1 m diameter)	6ft (1.8 m)	2.47Fc (26.6lx)	14ft diameter (4.3 m diameter)					
Height	Light Output	Beam Area																	
1ft (.3 m)	89.00Fc (958lx)	2ft diameter (.6 m diameter)																	
3ft (.9 m)	9.89Fc (106.5lx)	7ft diameter (2.1 m diameter)																	
6ft (1.8 m)	2.47Fc (26.6lx)	14ft diameter (4.3 m diameter)																	
L-POC-3EQFR-C Tested																			

3W EquiLine Puck

All product dimensions and specifications are subject to change without prior notice.

● Required
● Optional

● 12VDC EquiLine Puck Light



Part #	Description	SLP
L-POC-3EQFR-CBL-1	12VDC 3W 5000K EquiLine Puck, Black	\$39.10
L-POC-3EQFR-CNI-1	12VDC 3W 5000K EquiLine Puck, Nickel	\$39.10
L-POC-3EQFR-WBL-1	12VDC 3W 3000K EquiLine Puck, Black	\$39.10
L-POC-3EQFR-WNI-1	12VDC 3W 3000K EquiLine Puck, Nickel	\$39.10

2-1/4" (57 mm) hole required for recessed mounting.
EquiLine includes starter cord 79" (2 m) and AMP® Connector with each light.
Surface mount ring sold separately.

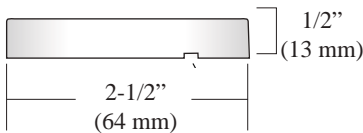
● 12VDC Power Supplies



Part #	Description	SLP
L-DC-ELT18-CON-1	12VDC 18W Power Supply w/ 6 Snap Mounting Block*	\$73.20
L-DC-SLELT30-1	12VDC 30W Power Supply w/ 6 Snap Mounting Block*	\$97.45
L-DC-SLELT60-1	12VDC 60W Power Supply w/ 6 Snap Mounting Block*	\$126.15
L-DC-ELT6WP-CON-1	12VDC 6W Wall Mount Power Supply w/ 3 Snap Block*	\$32.35
L-DC-ELT15WP-CON-1	12VDC 15W Wall Mount Power Supply w/ 6 Snap Block*	\$41.75
L-DC-EQ30-1	12VDC 30W EquiLine Power Supply w/ 6 Snap Block*	\$68.00
L-DC-EQ60-1	12VDC 60W EquiLine Power Supply w/ 6 Snap Block*	\$87.05
L-DCE30D-CON-1	12VDC 30W Hardwire Dimmable LED Power Supply†	\$126.00
L-DCE60D-CON-1	12VDC 60W Hardwire Dimmable LED Power Supply†	\$200.20
L-12DCH60X1-1	12VDC 60W Commercial/Industrial Metal Hardwire Dimmable Power Supply‡	\$200.45
L-12DCH60X3-1	12VDC 120W Commercial/Industrial Metal Hardwire Dimmable Power Supply‡	\$440.75

* Dimmable on trailing edge (12VDC side). Mounting block and power cord are included.
† Dimmable by LED line voltage (120V) wall dimmers. Mounting block included.
‡ Dimmable by LED line voltage (120V) wall dimmers. Mounting block not included.
All hardwire power supplies require an electrician for install.

● 12VDC EquiLine Puck Surface Ring



Part #	Description	SLP
L-SMR-2LED-BL-1	EquiLine Puck Surface Ring, Black	\$6.40
L-SMR-2LED-NI-1	EquiLine Puck Surface Ring, Nickel	\$6.40



COMPONENTS: POWER SUPPLIES, CONTROLLERS & MORE SEE PAGE 470.

Waste
Blind Corner
Sink
Base
Tail
Drawer
Wall
Vanity
Closet
Lazy Susan



NEW!

24VDC

4W CCT Power Pockit®



Available Finishes:



Black (BL)



Nickel (NI)



White (WH)

4W

2700K:
236 Lumens

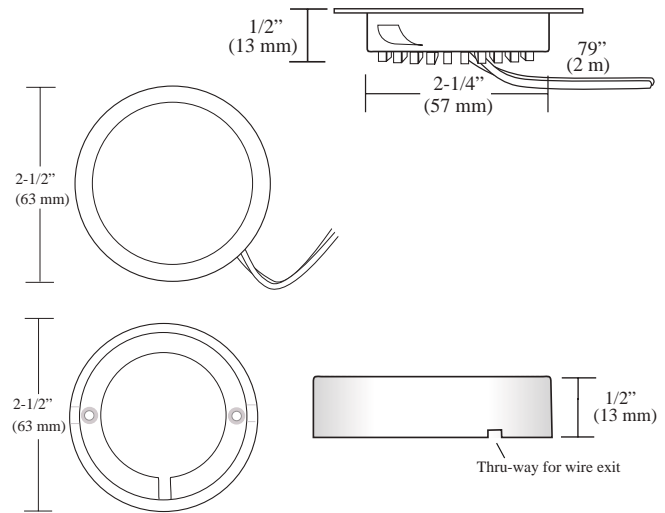
6500K:
280 Lumens



Install now and choose the color temperature later with warm 2700K to daylight 6500K all in one fixture. A high output, slim profile and recess or surface mount capability make this our most versatile puck for even illumination.



Dimensions:



Specifications:

Wattage	Lumens	Efficacy (lm/W)	Input Voltage	Diode Life	Max Per 96W Power Supply	Mounting	Warranty	Beam Angle	
4W	2700K: 236 6500K: 280	2700K: 59 6500K: 70	24VDC	50,000 Hours	24 Fixtures	Recess/ Surface	5 Year	105°	
Photometric Data					Color Temperature				
	Height	Light Output	Beam Area						
	1ft (.3m)	93.7Fc (1009lx)	2.6ft L x 2.7ft W (.8 m L x .8 m W)		2700K	3000K	4500K	5500K	6500K
	3ft (.9m)	10.4Fc (112lx)	7.9ft L x 8.0ft W (2.4 m L x 2.4 m W)						
6ft (1.8m)	2.6Fc (28lx)	15.8ft L x 15.9ft W (4.8 m L x 4.8 m W)							
L-POC-4CCT24-NI-1 Tested at 6500K									

4W CCT Power Pockit®

All product dimensions and specifications are subject to change without prior notice.

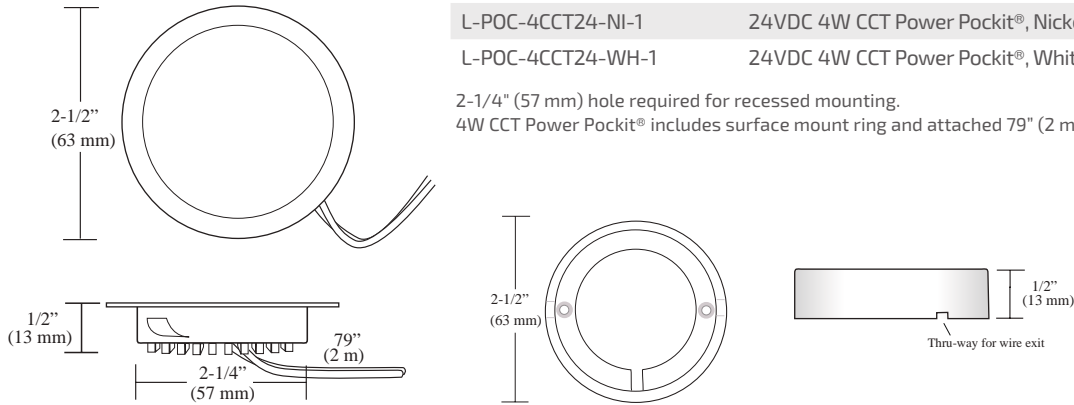
- Required
- Optional

● 24VDC 4W CCT Power Pockit®

Part #	Description	SLP
L-POC-4CCT24-BL-1	24VDC 4W CCT Power Pockit®, Black	\$101.05
L-POC-4CCT24-NI-1	24VDC 4W CCT Power Pockit®, Nickel	\$101.05
L-POC-4CCT24-WH-1	24VDC 4W CCT Power Pockit®, White	\$101.05

2-1/4" (57 mm) hole required for recessed mounting.

4W CCT Power Pockit® includes surface mount ring and attached 79" (2 m) input lead with 4-pin connector.



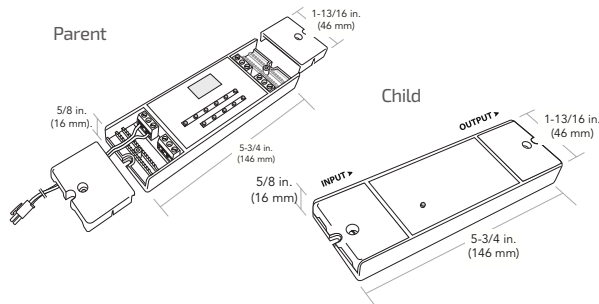
● 24VDC Power Supplies



For details see Power Supplies on Page 470

Works with all Tresco 24VDC Power Supplies. See Specification Guide for all options.

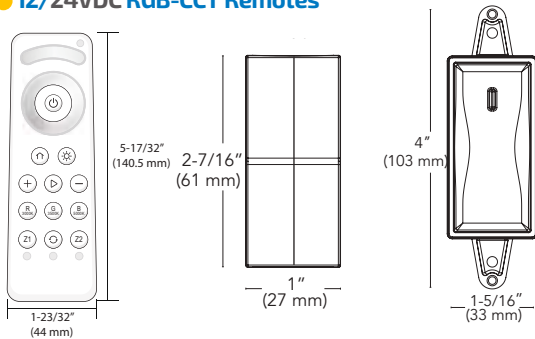
● 12/24VDC RGB-CCT Controller/Receivers



Part #	Description	SLP
L-RGBCCT1-PREC-1	12/24VDC RGBCCT Parent Controller/Receiver	\$148.20
L-RGBCCT1-CREC-1*	12/24VDC RGBCCT Child Controller/Receiver	\$134.15

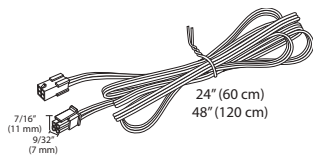
*Child Receiver is optional.

● 12/24VDC RGB-CCT Remotes



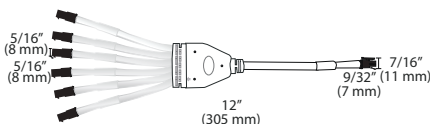
Part #	Description	SLP
L-RGBCCT-RMT-1	RGB-CCT Wireless Remote	\$94.35
L-WLD-CCT-WH-1	CCT FREEDiM Deco Wall Dimmer, White	\$152.00
L-WLD-RGB-WH-1	RGB FREEDiM Deco Wall Dimmer, White	\$152.00

● 12/24VDC CCT Starter Extension Leads



Part #	Description	SLP
L-CCTEXT-60-1	12/24VDC 60 cm (24") CCT FlexTape® Starter Extension Lead	\$8.85
L-CCTEXT-120-1	12/24VDC 120 cm (48") CCT FlexTape® Starter Extension Lead	\$10.95

● 12/24VDC 6 Output Adaptor



Part #	Description	SLP
L-4P60-1	12/24VDC 4 Position, 6 Output Adaptor, White	\$35.10

Use to connect up to (6) 4W CCT Power Pockit®s to the same parent or child controller/receiver for uniform color temperature and control.

Additional Puck Lighting

Visit trescolighting.com for more information



Pockit® Plus 1.5W

12VDC

1.5W

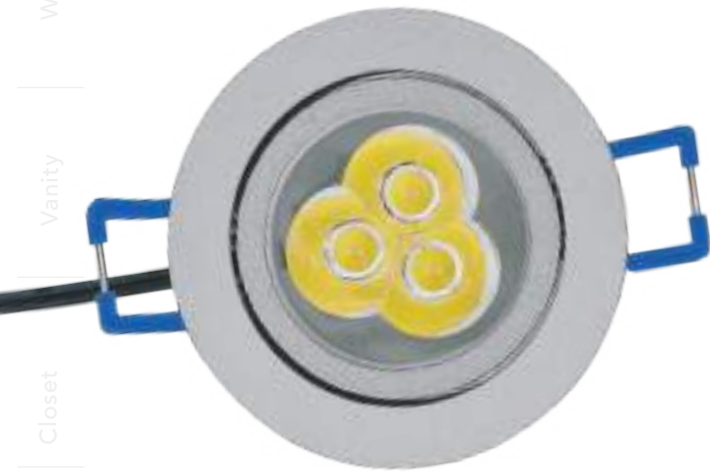
115 Lumens



Pockit® Plus features clean and simple lines PLUS cutting-edge bulb technology that provide powerful, bright light without the energy consumption and heat. Performance and effortless installation for recess or surface mounting all at a competitive price - that's the power of PLUS.



12VDC



Pockit® Spot

12VDC

3W

298 Lumens



The 3W Pockit® Spot performs like a spotlight with a high focus output beam to keep countertops, kiosks and displays center stage. The fixture features an exceptionally low profile and two large springs for recess mounting in a depth of only 1-1/8" (29 mm). The 3W Pockit® Spot has the ability to swivel in either direction.




Additional Puck Lighting

All product dimensions and specifications are subject to change without prior notice.

Pockit® Point

12VDC


1W	69 Lumens	
<p>1W Pockit® Point is the smallest LED spotlight on the market. Its small diameter and focused light are perfect for highlighting items in tight spaces.</p> <p>The Pockit® Point features a very low profile with a recess depth of only 1/2" (13 mm), a collar spring for quick recessing and a 79" (2 m) starter cord attached with a loose AMP® connector for easier wire routing.</p>		



Waste
Blind Corner
Sink
Base
Tall
Drawer
Wall
Vanity
Closet
Susan
LED Lighting

Pockit® 120-M

120V

4W	270 Lumens	
<p>The Pockit® 120-M is the next generation of our popular Pockit® 120 linkable series. Featuring a smaller size, each fixture has a built-in dimmable driver and the commercial grade, all-metal construction provides optimal heatsinking with more than double the light output of the original Pockit® 120-L. No external power supply needed, just plug in and start linking away!</p>		



FineLine 2.0

12VDC

4.4W/ft.
(14.4W/m)

330 Lumens
per ft.
(1082 per meter)



Pencil thin but still packing a big punch, FineLine is the unobtrusive way to provide stunning lighting to casework, displays, store fixtures and more. The low-profile design features a milk diffuser for even illumination, Luniform technology, and with optional manual or remote-control dimmers, creating the perfect atmosphere is effortless.

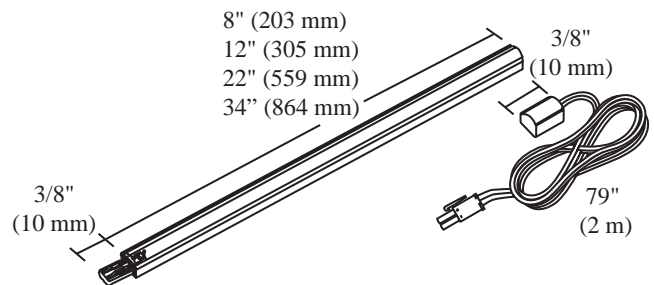
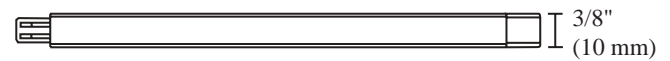


Available Finishes:



Aluminum (AL)

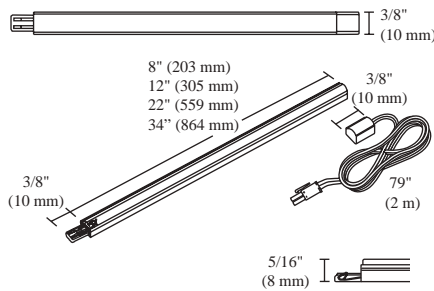
Dimensions:



Specifications:

Wattage	Lumens	Efficacy (lm/W)	Input Voltage	Diode Life	Max Per 60W Power Supply	Max Continuous Run	Mounting	Warranty	Beam Angle
4.4W/ft. (14.4W/m)	330 per ft. (1082 per m)	75	12VDC	50,000 Hours	13' (4 m)	12' (3.66 m)	Surface	5 Year	
Photometric Data					Color Temperature				
	Height	Light Output	Beam Area						
	1ft (.3 m)	279Fc (3003.1lx)	3.4ft L x 3.6ft W (1 m L x 1.1 m W)		2700K	3000K	4500K	5500K	6500K
	3ft (.9 m)	31.0Fc (333.6lx)	10.3ft L x 10.8ft W (3.1 m L x 3.3 m W)		Warm (3000K) Cool (5000K)				
6ft (1.8 m)	7.75Fc (83.4lx)	20.5ft L x 21.6ft W (6.2 m L x 6.6 m W)							
L-STKH034-CNI-1 Tested									

● 12VDC FineLine 2.0 LED Series



Part #	Description	SLP
L-STKHO8-CNI-1	12VDC 4.4W/FT 8" (203 mm) 5000K FineLine 2.0, Nickel	\$65.90
L-STKHO12-CNI-1	12VDC 4.4W/FT 12" (305 mm) 5000K FineLine 2.0, Nickel	\$78.40
L-STKHO22-CNI-1	12VDC 4.4W/FT 22" (559 mm) 5000K FineLine 2.0, Nickel	\$130.45
L-STKHO34-CNI-1	12VDC 4.4W/FT 34" (864 mm) 5000K FineLine 2.0, Nickel	\$172.35
L-STKHO8-WNI-1	12VDC 4.4W/FT 8" (203 mm) 3000K FineLine 2.0, Nickel	\$65.90
L-STKHO12-WNI-1	12VDC 4.4W/FT 12" (305 mm) 3000K FineLine 2.0, Nickel	\$78.40
L-STKHO22-WNI-1	12VDC 4.4W/FT 22" (559 mm) 3000K FineLine 2.0, Nickel	\$130.45
L-STKHO34-WNI-1	12VDC 4.4W/FT 34" (864 mm) 3000K FineLine 2.0, Nickel	\$172.35

Maximum continuous run of 12 ft. (3.7 m) to prevent voltage drop. Maximum 13 ft. (4 m) per 60W power supply. 79" (2 m) Starter Cord, AMP® Connector and mounting U-Clips are included with each light.

● 12VDC Power Supplies



Part #	Description	SLP
L-DC-ELT18-CON-1	12VDC 18W Power Supply w/ 6 Snap Mounting Block*	\$73.20
L-DC-SLELT30-1	12VDC 30W Power Supply w/ 6 Snap Mounting Block*	\$97.45
L-DC-SLELT60-1	12VDC 60W Power Supply w/ 6 Snap Mounting Block*	\$126.15
L-DC-ELT6WP-CON-1	12VDC 6W Wall Mount Power Supply w/ 3 Snap Block*	\$32.35
L-DC-ELT15WP-CON-1	12VDC 15W Wall Mount Power Supply w/ 6 Snap Block*	\$41.75
L-DC-EQ30-1	12VDC 30W EquiLine Power Supply w/ 6 Snap Block*	\$68.00
L-DC-EQ60-1	12VDC 60W EquiLine Power Supply w/ 6 Snap Block*	\$87.05
L-DCE30D-CON-1	12VDC 30W Hardwire Dimmable LED Power Supply†	\$126.00
L-DCE60D-CON-1	12VDC 60W Hardwire Dimmable LED Power Supply†	\$200.20
L-12DCH60X1-1	12VDC 60W Commercial/Industrial Metal Hardwire Dimmable Power Supply§	\$200.45
L-12DCH60X3-1	12VDC 120W Commercial/Industrial Metal Hardwire Dimmable Power Supply§	\$440.75

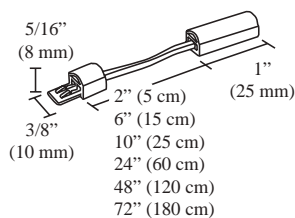
* Dimmable on trailing edge (12VDC side). Mounting block and power cord are included.

† Dimmable by LED line voltage (120V) wall dimmers. Mounting block included.

§ Dimmable by LED line voltage (120V) wall dimmers. Mounting block not included.

All hardwire power supplies require an electrician for install.

● 12VDC FineLine Link Cord



Part #	Description	SLP
L-LED-STKLNK-5-1	5 cm (2") 12VDC Stick Linking Cord	\$4.85
L-LED-STKLNK-15-1	15 cm (6") 12VDC Stick Linking Cord	\$5.35
L-LED-STKLNK-25-1	25 cm (10") 12VDC Stick Linking Cord	\$5.60
L-LED-STKLNK-60-1	60 cm (24") 12VDC Stick Linking Cord	\$6.90
L-LED-STKLNK-120-1	120 cm (48") 12VDC Stick Linking Cord	\$8.75
L-LED-STKLNK-180-1	180 cm (72") 12VDC Stick Linking Cord	\$10.70



COMPONENTS: POWER SUPPLIES, CONTROLLERS & MORE SEE PAGE 470.

SimpLED 2.0

12VDC

5W/ft.
(16.4W/m)

470 Lumens
per ft.
(1541 per meter)


The SimpLED 2.0 sets the bar for light output and simplicity. With the patented push-in "H" connection system and inline control modules, you get the simplest and quickest installation possible. Use either straight or pivoting mounting clips, then snap the fixtures into place to let over 470 lumens per foot illuminate your project.

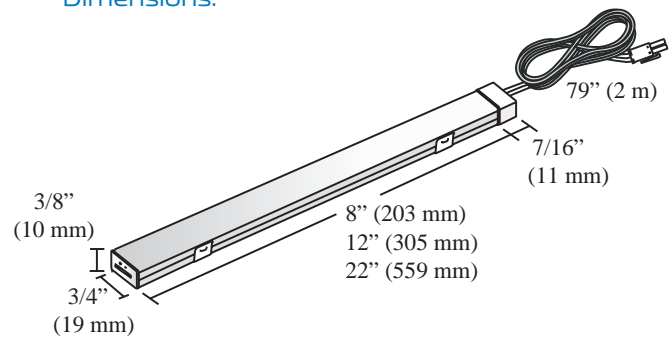
US PATENT NO: 8,545,045


Available Finishes:



Aluminum (AL)

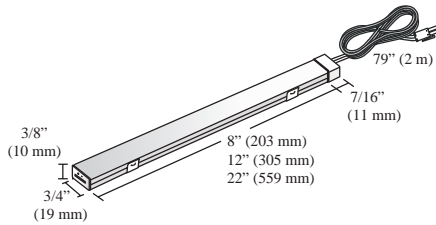
Dimensions:



Specifications:

Wattage	Lumens	Efficacy (lm/W)	Input Voltage	Diode Life	Max Per 60W Power Supply	Max Continuous Run	Mounting	Warranty	Beam Angle
5W/ft. (16.4W/m)	470 per ft. (1541 per m)	94	12VDC	50,000 Hours	12' (3.7 m)	10' (3 m)	Surface	5 Year	
Photometric Data					Color Temperature				
	Height	Light Output	Beam Area						
	1ft (.3 m)	244.70Fc (2634lx)	2.7ft L x 2.8ft W (.82 m L x .85 m W)		Warm White Warm to Neutral Cool White Daylight 2700K 3000K 4500K 5500K 6500K Warm (3000K) Cool (5000K)				
	3ft (.9 m)	27.19Fc (292.7lx)	8.2ft L x 8.3ft W (2.5 m L x 2.5 m W)						
6ft (1.8 m)	6.80Fc (73.2lx)	16.4ft L x 16.5ft W (5 m L x 5 m W)							
L-SMPH022-CNI-1 Tested									

● 12VDC SimpLED 2.0 Series



Part #	Description	SLP
L-SMPHO8-CNI-1	12VDC 5W/FT 8" (203 mm) 5000K SimpLED 2.0, Nickel	\$75.40
L-SMPHO12-CNI-1	12VDC 5W/FT 12" (305 mm) 5000K SimpLED 2.0, Nickel	\$102.15
L-SMPHO22-CNI-1	12VDC 5W/FT 22" (559 mm) 5000K SimpLED 2.0, Nickel	\$194.05
L-SMPHO8-WNI-1	12VDC 5W/FT 8" (203 mm) 3000K SimpLED 2.0, Nickel	\$75.40
L-SMPHO12-WNI-1	12VDC 5W/FT 12" (305 mm) 3000K SimpLED 2.0, Nickel	\$102.15
L-SMPHO22-WNI-1	12VDC 5W/FT 22" (559 mm) 3000K SimpLED 2.0, Nickel	\$194.05

Maximum continuous run 10 ft. (3 m) to prevent voltage drop. Maximum 12 ft. (3.6 m) per power supply.

79" (2 m) Starter Cord, AMP® Connector, H-Shaped Connector, and Mounting U-Clips are included with each light. 3 diffusers (Clear, Frosted and Milk/Opal) are included with each light.

● 12VDC Power Supplies



Part #	Description	SLP
L-DC-ELT18-CON-1	12VDC 18W Power Supply w/ 6 Snap Mounting Block*	\$73.20
L-DC-SLELT30-1	12VDC 30W Power Supply w/ 6 Snap Mounting Block*	\$97.45
L-DC-SLELT60-1	12VDC 60W Power Supply w/ 6 Snap Mounting Block*	\$126.15
L-DC-ELT6WP-CON-1	12VDC 6W Wall Mount Power Supply w/ 3 Snap Block*	\$32.35
L-DC-ELT15WP-CON-1	12VDC 15W Wall Mount Power Supply w/ 6 Snap Block*	\$41.75
L-DC-EQ30-1	12VDC 30W EquiLine Power Supply w/ 6 Snap Block*	\$68.00
L-DC-EQ60-1	12VDC 60W EquiLine Power Supply w/ 6 Snap Block*	\$87.05
L-DCE30D-CON-1	12VDC 30W Hardwire Dimmable LED Power Supply†	\$126.00
L-DCE60D-CON-1	12VDC 60W Hardwire Dimmable LED Power Supply†	\$200.20
L-12DCH60X1-1	12VDC 60W Commercial/Industrial Metal Hardwire Dimmable Power Supply‡	\$200.45
L-12DCH60X3-1	12VDC 120W Commercial/Industrial Metal Hardwire Dimmable Power Supply‡	\$440.75

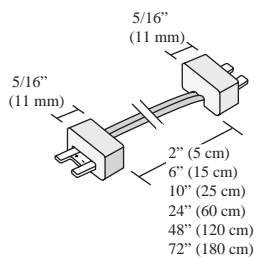
* Dimmable on trailing edge (12VDC side). Mounting block and power cord are included.

† Dimmable by LED line voltage (120V) wall dimmers. Mounting block included.

‡ Dimmable by LED line voltage (120V) wall dimmers. Mounting block not included.

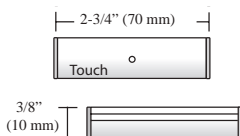
All hardwire power supplies require an electrician for install.

● 12VDC SimpLED Link Cord



Part #	Description	SLP
L-LED-SMPLNK-5-1	12VDC 5 cm (2") SimpLED Linking Cord	\$6.00
L-LED-SMPLNK-15-1	12VDC 15 cm (6") SimpLED Linking Cord	\$6.40
L-LED-SMPLNK-25-1	12VDC 25 cm (10") SimpLED Linking Cord	\$6.90
L-LED-SMPLNK-60-1	12VDC 60 cm (24") SimpLED Linking Cord	\$8.10
L-LED-SMPLNK-120-1	12VDC 120 cm (48") SimpLED Linking Cord	\$10.20
L-LED-SMPLNK-180-1	12VDC 180 cm (72") SimpLED Linking Cord	\$12.40

● 12VDC SimpLED Control Modules



Part #	Description	SLP
L-LED-SMPTD4-1	27W Rectangle Inline Touch Dimmer	\$53.65

Controls up to 5.4 ft. (1.6 m) of SimpLED 2.0 lights and 6.0 ft. (1.8 m) of EquiLine SimpLED lights. Max load 27W.



COMPONENTS: POWER SUPPLIES, CONTROLLERS & MORE SEE PAGE 470.

Eurolinx

12VDC

4W/ft.
(13.1W/m)

216 Lumens
per ft.
(708 per meter)


The Eurolinx's flat profile blends in with any application. Using specialized diffuser and reflector technology to achieve Luniform output, this European style light is a perfect choice for all contemporary and high-end commercial applications. Use the optional magnetic U-Clips for metal shelving or office furniture mounting. At 4W per foot and over 200 lumens, Eurolinx is a top pick for sleek high illumination.

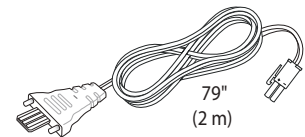
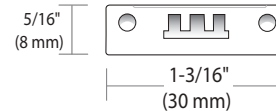
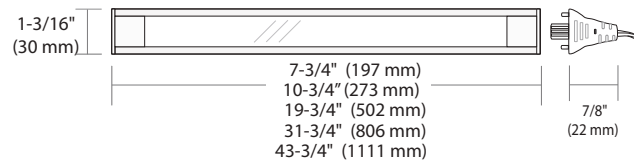


Available Finishes:



Aluminum (AL)

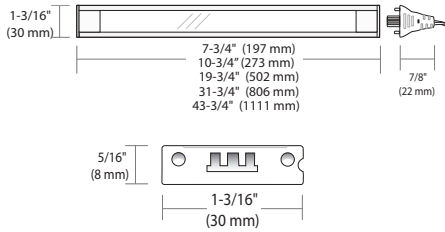
Dimensions:



Specifications:

Wattage	Lumens	Efficacy (lm/W)	Input Voltage	Diode Life	Max Per 60W Power Supply	Max Continuous Run	Mounting	Warranty	Beam Angle
4W/ft. (13.1W/m)	216 per ft. (708 per m)	54	12VDC	50,000 Hours	15' (4.6 m)	10' (3 m)	Surface	5 Year	
Photometric Data					Color Temperature				
	Height	Light Output	Beam Area						
	1ft (.3 m)	266.60Fc (2870lx)	2.9ft L x 3.3ft W (.88 m L x 1 m W)		Warm White Warm to Neutral Cool White Daylight 2700K 3000K 4500K 5500K 6500K ▲ Warm (3000K) ▲ Cool (5000K)				
	3ft (.9 m)	29.62Fc (318.8lx)	8.8ft L x 10ft W (2.7 m L x 3 m W)						
	6ft (1.8 m)	7.40Fc (79.6lx)	17.6ft L x 20ft W (5.4 m L x 6 m W)						
L-EUL15W-1111CAL-1 Tested									

12VDC Eurolinx Series



Part #	Description	SLP
L-EUL3W-197CAL-1	12VDC 3W 197 mm (7.75") 5000K Eurolinx, Aluminum	\$95.90
L-EUL4W-273CAL-1	12VDC 3W 273 mm (10.75") 5000K Eurolinx, Aluminum	\$107.00
L-EUL7W-502CAL-1	12VDC 3W 502 mm (19.75") 5000K Eurolinx, Aluminum	\$123.80
L-EUL11W-806CAL-1	12VDC 3W 806 mm (31.75") 5000K Eurolinx, Aluminum	\$154.45
L-EUL15W-1111CAL-1	12VDC 3W 1111 mm (43.75") 5000K Eurolinx, Aluminum	\$185.25
L-EUL3W-197WAL-1	12VDC 3W 197 mm (7.75") 3000K Eurolinx, Aluminum	\$95.90
L-EUL4W-273WAL-1	12VDC 3W 273 mm (10.75") 3000K Eurolinx, Aluminum	\$107.00
L-EUL7W-502WAL-1	12VDC 3W 502 mm (19.75") 3000K Eurolinx, Aluminum	\$123.80
L-EUL11W-806WAL-1	12VDC 3W 806 mm (31.75") 3000K Eurolinx, Aluminum	\$154.45
L-EUL15W-1111WAL-1	12VDC 3W 1111 mm (43.75") 3000K Eurolinx, Aluminum	\$185.25

Maximum continuous run 10 ft. (3 m) to prevent voltage drop. Maximum 15 ft. (4.6 m) per 60W power supply. Each light includes 79" (2 m) starter cord, U-Clips and back-to-back connector.

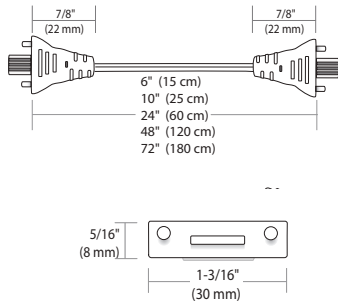
12VDC Power Supplies



Part #	Description	SLP
L-DC-ELT18-CON-1	12VDC 18W Power Supply w/ 6 Snap Mounting Block*	\$73.20
L-DC-SLELT30-1	12VDC 30W Power Supply w/ 6 Snap Mounting Block*	\$97.45
L-DC-SLELT60-1	12VDC 60W Power Supply w/ 6 Snap Mounting Block*	\$126.15
L-DC-ELT6WP-CON-1	12VDC 6W Wall Mount Power Supply w/ 3 Snap Block*	\$32.35
L-DC-ELT15WP-CON-1	12VDC 15W Wall Mount Power Supply w/ 6 Snap Block*	\$41.75
L-DC-EQ30-1	12VDC 30W EquiLine Power Supply w/ 6 Snap Block*	\$68.00
L-DC-EQ60-1	12VDC 60W EquiLine Power Supply w/ 6 Snap Block*	\$87.05
L-DCE30D-CON-1	12VDC 30W Hardwire Dimmable LED Power Supply†	\$126.00
L-DCE60D-CON-1	12VDC 60W Hardwire Dimmable LED Power Supply†	\$200.20
L-12DCH60X1-1	12VDC 60W Commercial/Industrial Metal Hardwire Dimmable Power Supply‡	\$200.45
L-12DCH60X3-1	12VDC 120W Commercial/Industrial Metal Hardwire Dimmable Power Supply‡	\$440.75

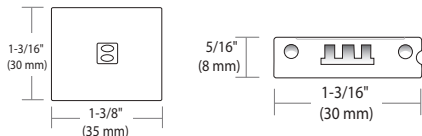
* Dimmable on trailing edge (12VDC side). Mounting block and power cord are included.
 † Dimmable by LED line voltage (120V) wall dimmers. Mounting block included.
 ‡ Dimmable by LED line voltage (120V) wall dimmers. Mounting block not included.
 All hardwire power supplies require an electrician for install.

12VDC Eurolinx Link Cord



Part #	Description	SLP
L-EULNK-15-WH-1	15 cm (6") Eurolinx Linking Cord, White	\$10.30
L-EULNK-25-WH-1	25 cm (10") Eurolinx Linking Cord, White	\$10.70
L-EULNK-60-WH-1	60 cm (24") Eurolinx Linking Cord, White	\$12.50
L-EULNK-120-WH-1	120 cm (48") Eurolinx Linking Cord, White	\$14.70
L-EULNK-180-WH-1	180 cm (72") Eurolinx Linking Cord, White	\$17.85

12VDC Eurolinx Touch Dimmer



Part #	Description	SLP
L-EUL-GTD-1	27W Eurolinx Gradual Inline Touch Dimmer	\$29.75

Controls up to 6.75 ft. (2 m) of Eurolinx Lights. Max load 27W.



COMPONENTS: POWER SUPPLIES, CONTROLLERS & MORE SEE PAGE 470.

FlexTape® 1.5W

12VDC

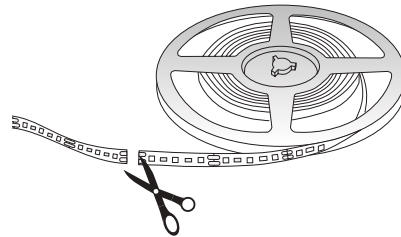
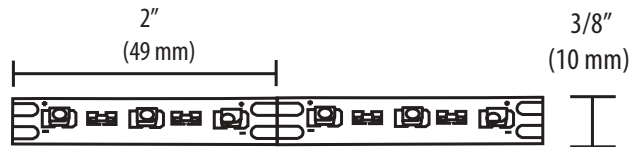
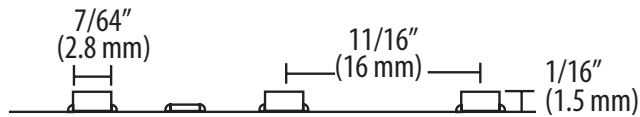
1.5W/ft.
(4.9W/m)

150 Lumens
per ft.
(492 per meter)



Cuttable every 2" (49 mm)

Dimensions:



20' (6 m) roll length

Specifications:



Wattage	Lumens	Efficacy (lm/W)	Input Voltage	Diode Life	Max Per 60W Power Supply	Max Continuous Run	Mounting	Warranty	Beam Angle
1.5W/ft. (4.9W/m)	150 per ft. (492 per m)	100	12VDC	50,000 Hours	40' (12 m)	20' (6 m)	Surface	5 Year	115°
Photometric Data					Color Temperature				
	Height	Light Output	Beam Area	Warm White	Warm to Neutral	Cool White	Daylight		
	1ft (.3 m)	49.2Fc (529.6lx)	3.3ft L x 3.3ft W (1 m L x 1 m W)	2700K	3000K	4500K	5500K	6500K	
	3ft (.9 m)	5.47Fc (58.9lx)	9.8ft L x 10ft W (3 m L x 3 m W)	Warm (2700K)	Warm (3000K)	Neutral (3500K)	Cool (4800K)	Daylight (6500K)	
	6ft (1.8 m)	1.37Fc (14.7lx)	19.5ft L x 20ft W (5.9 m L x 6.1 m W)	Red Available	Blue Available				

L-LED-FLXTPE-CROLL-1 Tested

FlexTape® 3W

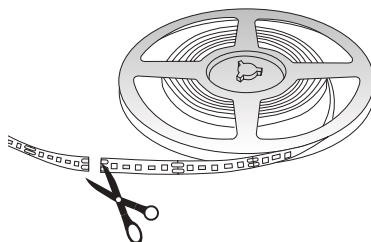
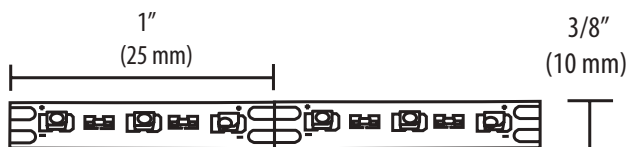
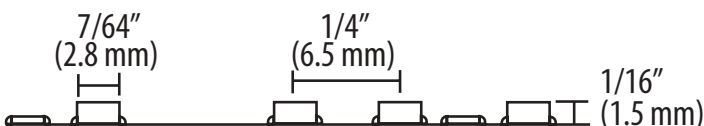
12VDC

3W/ft. (9.8W/m)	365 Lumens per ft. (1197 per meter)	115°
---------------------------	---	-------------



Cutable every 1" (25 mm)

Dimensions:



16.4' (5 m) roll length

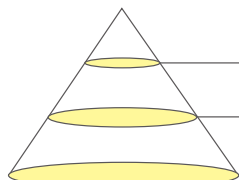
Specifications:



Wattage	Lumens	Efficacy (lm/W)	Input Voltage	Diode Life	Max Per 60W Power Supply	Max Continuous Run	Mounting	Warranty	Beam Angle
3W/ft. (9.8W/m)	365 per ft. (1197 per m)	120	12VDC	50,000 Hours	20' (6 m)	16.4' (5 m)	Surface	5 Year	115°

Photometric Data

Height	Light Output	Beam Area
1ft (.3 m)	120Fc (1219.7lx)	3.4ft L x 3.3ft W (1.1 m L x 1 m W)
3ft (.9 m)	13.3Fc (143.2lx)	10.1ft L x 9.8ft W (3.1 m L x 3 m W)
6ft (1.8 m)	3.33Fc (35.8lx)	20.2ft L x 19.6ft W (6.2 m L x 6 m W)



L-LED-FLXTPE-CRHO-1 Tested

Color Temperature

Warm White	Warm to Neutral	Cool White	Daylight
2700K	3000K	4500K	6500K
Warm (2700K)	Warm (3000K)	Neutral (3500K)	Cool (4800K)
▲	▲	▲	▲
● Red Available	● Blue Available		

FlexTape® 4.4W

12VDC

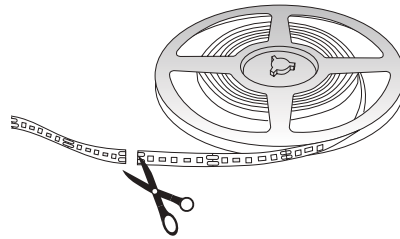
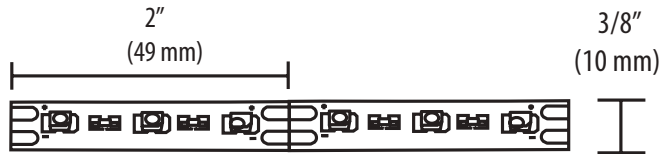
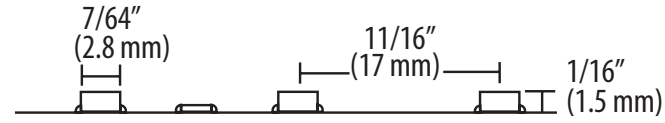
4.4W/ft.
(14.4W/m)

420 Lumens
per ft.
(1378 per meter)



Cuttable every 2" (49 mm)

Dimensions:



13' (3.96 m) roll length

Specifications:

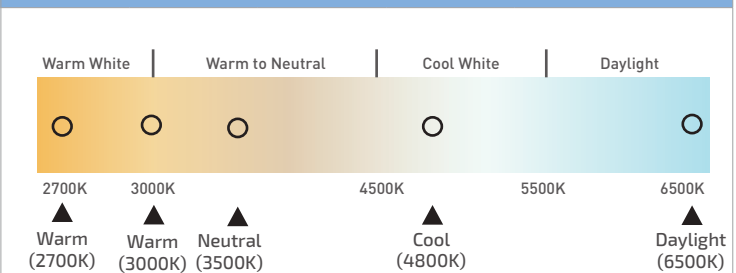


Wattage	Lumens	Efficacy (lm/W)	Input Voltage	Diode Life	Max Per 60W Power Supply	Max Continuous Run	Mounting	Warranty	Beam Angle
4.4W/ft. (14.4W/m)	420 per ft. (1378 per m)	95	12VDC	50,000 Hours	13' (3.96 m)	13' (3.96 m)	Surface	5 Year	

Photometric Data

Color Temperature


Height	Light Output	Beam Area
1ft (.3 m)	140Fc (1507lx)	3.2ft L x 3.3ft W (.98 m L x .91 m W)
3ft (.9 m)	15.5Fc (166.8lx)	9.7ft L x 9.8ft W (3 m L x 3 m W)
6ft (1.8 m)	3.88Fc (41.8lx)	19.4ft L x 19.7ft W (5.9 m L x 6 m W)



L-FLXTPE-CRV-1 Tested

FlexTape® 5.5W

12VDC

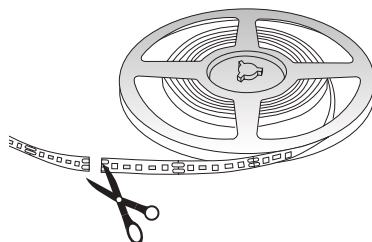
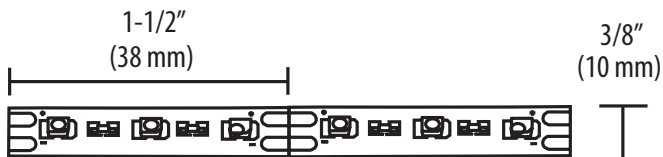
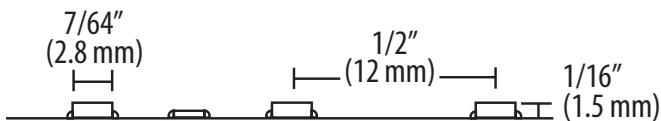
5.5W/ft. (18W/m)	615 Lumens per ft. (2017 per meter)	 115°
----------------------------	--	--

Only to be used with Infinex



Cuttable every 1-1/2" (38 mm)


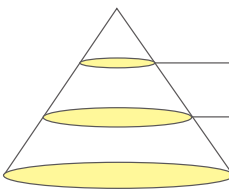
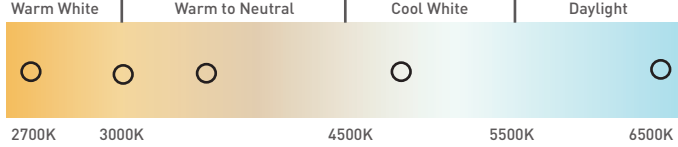
Dimensions:



10' (3 m) roll length

Specifications:

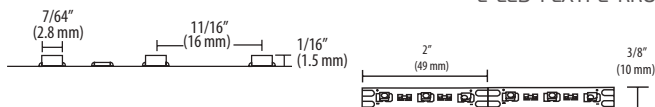
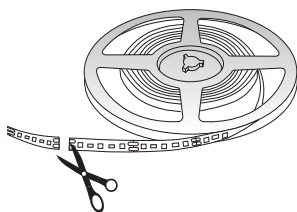


Wattage	Lumens	Efficacy (lm/W)	Input Voltage	Diode Life	Max Per 60W Power Supply	Max Continuous Run	Mounting	Warranty	Beam Angle	
5.5W/ft. (18W/m)	615 per ft. (2017 per m)	112	12VDC	50,000 Hours	10' (3 m)	10' (3 m)	Surface	5 Year*		
Photometric Data					Color Temperature					
	Height	Light Output	Beam Area							
	1ft (.3m)	205Fc (2207lx)	3.3ft L x 3.1ft W (1 m L x .94 m W)		2700K	3000K	3500K	4500K	5500K	6500K
	3ft (.9m)	22.8Fc (245lx)	10ft L x 9.3ft W (3 m L x 2.8 m W)		Warm (2700K)	Warm (3000K)	Neutral (3500K)	Cool (4800K)	Daylight (6500K)	
6ft (1.8 m)	5.69Fc (61.3lx)	19.9ft L x 18.6ft W (6 m L x 5.6 m W)								
L-FLXTPE-48RU-1 Tested										

*MUST USE PROPER HEAT SINK (i.e. Infinex Aluminum Extrusions)

● Required
● Optional

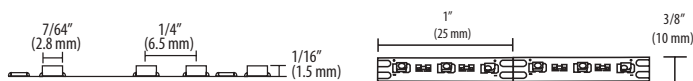
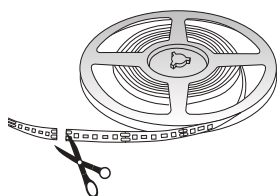
● 12VDC FlexTape® 1.5W



Part #	Description	SLP
L-LED-FLXTPE-WROLL-1	12VDC 1.5W 20' (6 m) 2700K FlexTape® Roll	\$293.70
L-FLXTPE-30RS-1	12VDC 1.5W 20' (6 m) 3000K FlexTape® Roll	\$293.70
L-LED-FLXTPE-NROLL-1	12VDC 1.5W 20' (6 m) 3500K FlexTape® Roll	\$293.70
L-LED-FLXTPE-CROLL-1	12VDC 1.5W 20' (6 m) 4800K FlexTape® Roll	\$293.70
L-LED-FLXTPE-DRROLL-1	12VDC 1.5W 20' (6 m) 6500K FlexTape® Roll	\$293.70
L-LED-FLXTPE-BROLL-1	12VDC 1.5W 20' (6 m) Blue FlexTape® Roll	\$293.70
L-LED-FLXTPE-RROLL-1	12VDC 1.5W 20' (6 m) Red FlexTape® Roll	\$293.70

Maximum continuous run is 20' (6 m). Maximum per power supply is 40' (12 m). Mounts with adhesive backing. Cuttable every 2" (49 mm). To be used on clean, smooth surfaces. Pressure must be applied for proper 3M™ tape adhesion.

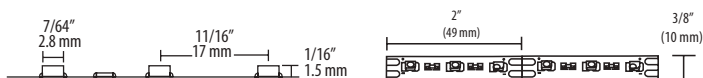
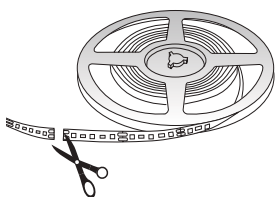
● 12VDC FlexTape® 3W



Part #	Description	SLP
L-LED-FLXTPE-WRHO-1	12VDC 3W 16.4' (5 m) 2700K High Output FlexTape® Roll	\$287.80
L-FLXTPE-30RH-1	12VDC 3W 16.4' (5 m) 3000K High Output FlexTape® Roll	\$287.80
L-LED-FLXTPE-NRHO-1	12VDC 3W 16.4' (5 m) 3500K High Output FlexTape® Roll	\$287.80
L-LED-FLXTPE-CRHO-1	12VDC 3W 16.4' (5 m) 4800K High Output FlexTape® Roll	\$287.80
L-LED-FLXTPE-DRHO-1	12VDC 3W 16.4' (5 m) 6500K High Output FlexTape® Roll	\$287.80
L-LED-FLXTPE-RRHO-1	12VDC 3W 16.4' (5 m) Red High Output FlexTape® Roll	\$287.80
L-LED-FLXTPE-BRHO-1	12VDC 3W 16.4' (5 m) Blue High Output FlexTape® Roll	\$287.80

Maximum continuous run is 16.4' (5 m). Maximum per power supply is 20' (6 m). Mounts with adhesive backing. Cuttable every 1" (25 mm). To be used on clean, smooth surfaces. Pressure must be applied for proper 3M™ tape adhesion.

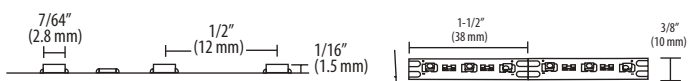
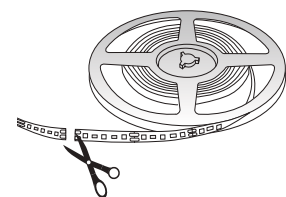
● 12VDC FlexTape® 4.4W



Part #	Description	SLP
L-FLXTPE-WRV-1	12VDC 4.4W 13' (4 m) 2700K High Output FlexTape® Roll	\$263.10
L-FLXTPE-30RV-1	12VDC 4.4W 13' (4 m) 3000K High Output FlexTape® Roll	\$263.10
L-FLXTPE-NRV-1	12VDC 4.4W 13' (4 m) 3500K High Output FlexTape® Roll	\$263.10
L-FLXTPE-CRV-1	12VDC 4.4W 13' (4 m) 4800K High Output FlexTape® Roll	\$263.10
L-FLXTPE-DRV-1	12VDC 4.4W 13' (4 m) 6500K High Output FlexTape® Roll	\$263.10

Maximum continuous run is 13' (4 m). Maximum per power supply is 13' (4 m). Mounts with adhesive backing. Cuttable every 2" (49 mm). To be used on clean, smooth surfaces. Pressure must be applied for proper 3M™ tape adhesion.

● 12VDC FlexTape® 5.5W



Part #	Description	SLP
L-FLXTPE-27RU-1	12VDC 5.5W 10' (3 m) 2700K Ultra High Output FlexTape® Roll	\$202.50
L-FLXTPE-30RU-1	12VDC 5.5W 10' (3 m) 3000K Ultra High Output FlexTape® Roll	\$202.50
L-FLXTPE-35RU-1	12VDC 5.5W 10' (3 m) 3500K Ultra High Output FlexTape® Roll	\$202.50
L-FLXTPE-48RU-1	12VDC 5.5W 10' (3 m) 4800K Ultra High Output FlexTape® Roll	\$202.50
L-FLXTPE-65RU-1	12VDC 5.5W 10' (3 m) 6500K Ultra High Output FlexTape® Roll	\$202.50

Maximum continuous run is 10' (3 m). Maximum per power supply is 10' (3 m). Mounts with adhesive backing. Cuttable every 1-1/2" (38 mm). To be used on clean, smooth surfaces. Pressure must be applied for proper 3M™ tape adhesion. **MUST USE PROPER HEAT SINK (i.e. Infinex Aluminum Extrusions).**

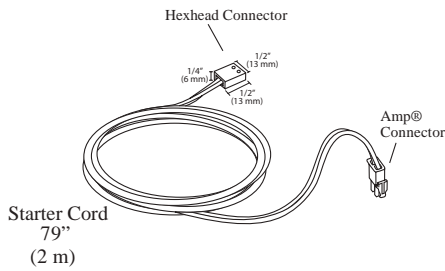
Power Supplies



For details see Power Supplies on Page 470.

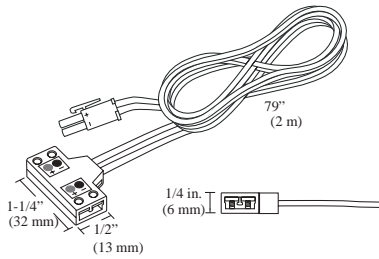
Waste
Blind Corner
Sink
Base
Tall
Drawer
Wall
Vanity
Closet
Susan
LED Lighting

● 12VDC Starter Cord for Single Color Tape



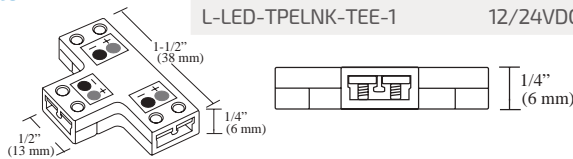
Part #	Description	SLP
L-LED-TPEPKT-2M-1	12VDC 2 m (79") FlexTape® Straight Starter Lead	\$10.95
L-TPEPKT-2IN-1	12VDC 50 mm (2") FlexTape® Straight Starter Lead	\$7.70

● 12VDC Tee Starter Cord for Single Color Tape



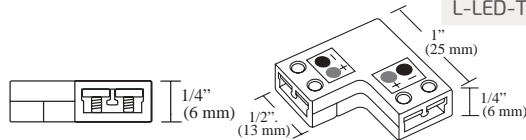
Part #	Description	SLP
L-LED-TPEPKT-2M-TEE-1	12VDC 2 m (79") FlexTape® Tee Starter Lead	\$16.45

● 12/24VDC Tee Connector for Single Color Tape



Part #	Description	SLP
L-LED-TPELNK-TEE-1	12/24VDC Tee Link Connector	\$5.45

● 12/24VDC Right Angle Connector for Single Color Tape



Part #	Description	SLP
L-LED-TPELNK-CON90-1	12/24VDC 90° Link Connector	\$5.45

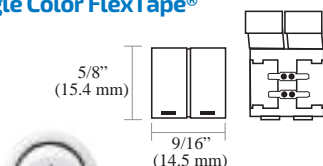
● 12/24VDC Link Cord for Single Color Tape



Positive and negative contacts on FlexTape® and FlexConnects should match-up to maintain proper polarity.

Part #	Description	SLP
L-LED-TPELNK-5-1	12/24VDC 5 cm (2") FlexTape® Link Cord	\$5.45
L-LED-TPELNK-15-1	12/24VDC 15 cm (6") FlexTape® Link Cord	\$5.45
L-LED-TPELNK-25-1	12/24VDC 25 cm (10") FlexTape® Link Cord	\$8.20
L-LED-TPELNK-60-1	12/24VDC 60 cm (24") FlexTape® Link Cord	\$8.20
L-LED-TPELNK-120-1	12/24VDC 120 cm (48") FlexTape® Link Cord	\$8.20
L-LED-TPELNK-180-1	12/24VDC 180 cm (72") FlexTape® Link Cord	\$8.20

● 12VDC Back-to-Back Connector for Single Color FlexTape®



Part #	Description	SLP
L-TPELNK-BTB-1	12VDC Back-to-Back Connector	\$3.00

To be used with non-COB single color tapes.

COMPONENTS: POWER SUPPLIES, CONTROLLERS & MORE SEE PAGE 470.

COB FlexTape®

12VDC



Cuttable every
11/16"
(18 mm)

4.4W/ft.
(14.5W/m)

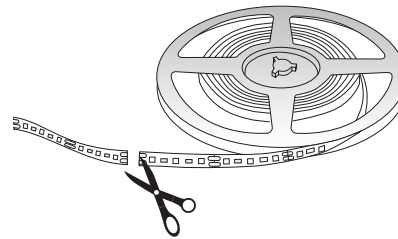
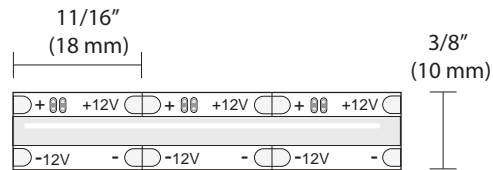
245 Lumens
per ft.
(809 per meter)



Chip on Board or "COB" FlexTape® is the latest advancement in tape lighting. With diodes directly mounted on a printed circuit board and a continuous fortified coating, this flexible, high density LED lighting strip creates our Luniform look without dark spots – no covers or filters needed!



Dimensions:

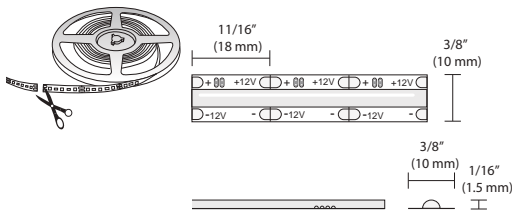


13' (4 m)
roll
length

Specifications:

Wattage	Lumens	Efficacy (lm/W)	Input Voltage	Diode Life	Max Per Power Supply 60W (12VDC)	Max Continuous Run	Mounting	Warranty	Beam Angle
4.4W/ft. (14.5W/m)	245 per ft. (809 per m)	55.7	12VDC	50,000 Hours	13' (4 m)	13' (4 m)	Surface	5 Year	
Photometric Data					Color Temperature				
	Height	Light Output	Beam Area	Warm White	Warm to Neutral	Cool White	Daylight		
	1ft (.3m)	74.7Fc (804lx)	3.1ft Lx10.9ft W (.94m Lx3.3m W)	2700K	3000K	4500K	5500K	6500K	
	3ft (.9m)	8.3Fc (89.3lx)	9.3ft Lx32.6ft W (2.8m Lx9.9m W)	Warm (2700K)	Warm (3000K)	Neutral (3500K)	Cool (4800K)	Daylight (6500K)	
6ft (1.8m)	2.07Fc (22.3lx)	18.6ft Lx65.2ft W (5.7m Lx19.9m W)							
L-FLXCOB12-48RV-1 Tested									

● 12VDC COB FlexTape® 4.4W



Part #	Description	SLP
L-FLXCOB12-27RV-1	12VDC 4.4W/FT 13' (4 m) 2700K COB FlexTape® Roll	\$283.30
L-FLXCOB12-30RV-1	12VDC 4.4W/FT 13' (4 m) 3000K COB FlexTape® Roll	\$283.30
L-FLXCOB12-35RV-1	12VDC 4.4W/FT 13' (4 m) 3500K COB FlexTape® Roll	\$283.30
L-FLXCOB12-48RV-1	12VDC 4.4W/FT 13' (4 m) 4800K COB FlexTape® Roll	\$283.30
L-FLXCOB12-65RV-1	12VDC 4.4W/FT 13' (4 m) 6500K COB FlexTape® Roll	\$256.95

Maximum continuous run is 13' (4 m). Maximum per power supply is 13' (4 m). Mounts with adhesive backing. Cuttable every 11/16" (18 mm). To be used on clean, smooth surfaces. Pressure must be applied for proper 3M™ tape adhesion.

● 12VDC Power Supplies



Part #	Description	SLP
L-DC-ELT18-CON-1	12VDC 18W Power Supply w/ 6 Snap Mounting Block*	\$73.20
L-DC-SLELT30-1	12VDC 30W Power Supply w/ 6 Snap Mounting Block*	\$97.45
L-DC-SLELT60-1	12VDC 60W Power Supply w/ 6 Snap Mounting Block*	\$126.15
L-DC-ELT6WP-CON-1	12VDC 6W Wall Mount Power Supply w/3 Snap Block*	\$32.35
L-DC-ELT15WP-CON-1	12VDC 15W Wall Mount Power Supply w/6 Snap Block*	\$41.75
L-DC-EQ30-1	12VDC 30W EquiLine Power Supply w/6 Snap Block*	\$68.00
L-DC-EQ60-1	12VDC 60W EquiLine Power Supply w/6 Snap Block*	\$87.05
L-DCE30D-CON-1	12VDC 30W Hardwire Dimmable LED Power Supply†	\$126.00
L-DCE60D-CON-1	12VDC 60W Hardwire Dimmable LED Power Supply†	\$200.20
L-12DCH60X1-1	12VDC 60W Commercial/Industrial Metal Hardwire Dimmable Power Supply‡	\$200.45
L-12DCH60X3-1	12VDC 120W Commercial/Industrial Metal Hardwire Dimmable Power Supply‡	\$440.75

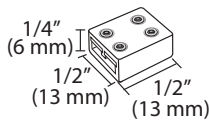
* Dimmable on trailing edge (12VDC side). Mounting block and power cord are included.

† Dimmable by LED line voltage (120V) wall dimmers. Mounting block included.

‡ Dimmable by LED line voltage (120V) wall dimmers. Mounting block not included.

All hardwire power supplies require an electrician for install.

● 12/24VDC Back-to-Back Connector for COB



Part #	Description	SLP
L-XSBTB-1	12/24VDC 10 mm, 2 Position Back-to-Back Connector, Clear	\$4.10

12VDC COB FLEXTAPE® USES STANDARD FLEXTAPE® STARTER CORDS, LINK CORDS, TEE CONNECTOR AND 90-DEGREE CONNECTOR. SEE PAGE 433.



COMPONENTS: POWER SUPPLIES, CONTROLLERS & MORE SEE PAGE 470.

COB FlexTape®

24VDC



Cuttable every
1-1/2"
(38 mm)

5.5W/ft.
(18.1W/m)

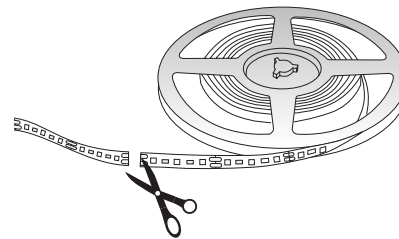
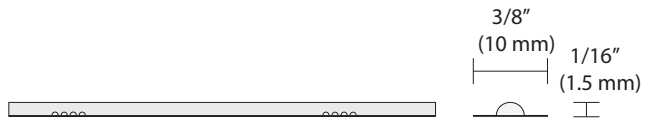
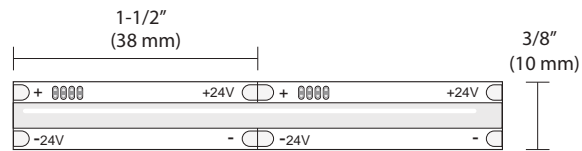
420 Lumens
per ft.
(1386 per meter)



Chip on Board or "COB" FlexTape® is the latest advancement in tape lighting. With diodes directly mounted on a printed circuit board and a continuous fortified coating, this flexible, high density LED lighting strip creates our Luniform look without dark spots – no covers or filters needed!



Dimensions:

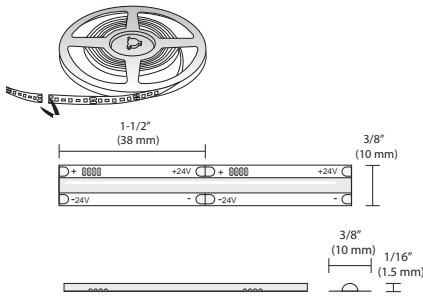


16.4' (5 m)
roll length

Specifications:

Wattage	Lumens	Efficacy (lm/W)	Input Voltage	Diode Life	Max Per Power Supply 96W	Max Continuous Run	Mounting	Warranty	Beam Angle
5.5W/ft. (18.1W/m)	420 per ft (1386 per m)	76.4	24VDC	50,000 Hours	16.4' (5 m)	16.4' (5 m)	Surface	5 Year	
Photometric Data					Color Temperature				
	Height	Light Output	Beam Area	Warm White	Warm to Neutral	Cool White	Daylight		
	1ft (.3m)	123Fc (1324lx)	3.1ft Lx8.5ft W (.94m Lx2.6m W)						
	3ft (.9m)	13.6Fc (146.3lx)	9.3ft Lx32.6ft W (2.9m Lx7.8m W)	2700K	3000K	4500K	5500K	6500K	
	6ft (1.8m)	3.41Fc (36.7lx)	18.7ft Lx51.2ft W (5.7m Lx15.6m W)	Warm (2700K)	Warm (3000K)	Neutral (3500K)	Cool (4800K)	Daylight (6500K)	
L-FLXCOB24-48RU-1 Tested									

● 24VDC COB FlexTape® 5.5W



Part #	Description	SLP
L-FLXCOB24-27RU-1	24VDC 5.5W/FT 16.4' (5 m) 2700K COB FlexTape® Roll	\$357.35
L-FLXCOB24-30RU-1	24VDC 5.5W/FT 16.4' (5 m) 3000K COB FlexTape® Roll	\$357.35
L-FLXCOB24-35RU-1	24VDC 5.5W/FT 16.4' (5 m) 3500K COB FlexTape® Roll	\$357.35
L-FLXCOB24-48RU-1	24VDC 5.5W/FT 16.4' (5 m) 4800K COB FlexTape® Roll	\$357.35
L-FLXCOB24-65RU-1	24VDC 5.5W/FT 16.4' (5 m) 6500K COB FlexTape® Roll	\$357.35

Maximum continuous run is 16.4' (5 m). Maximum per power supply is 16.4' (5 m). Mounts with adhesive backing. Cuttable every 1-1/2" (38 mm). To be used on clean, smooth surfaces. Pressure must be applied for proper 3M™ tape adhesion.

● 24VDC Power Supplies



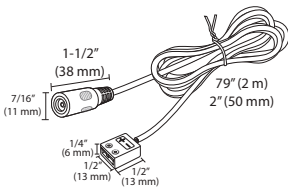
Part #	Description	SLP
L-24DCELT96-1	24VDC 96W Power Supply w/ 5 Barrel Out, White†	\$186.20
L-24DCELT48-BL-1	24VDC 48W Power Supply w/ 5 Barrel Out, Black†	\$147.95
L-24DCELT15WP-1	24VDC 15W Wall Mount Power Supply w/ Barrel Connector*†	\$58.80
L-24DCH96X1-1	24VDC 96W Dimmable Hardwire Power Supply*§	\$298.40
L-24DCH96X3-1	24VDC 288W Dimmable Hardwire Power Supply*§	\$561.65
L-1BRL5-1	Extra 5 Output Barrel Splice	\$19.15

*Does not come with 5 Output Barrel Splice

†Dimmable on trailing edge (24VDC side)

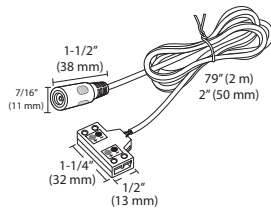
§Dimmable by LED line voltage (120V) wall dimmers

● 24VDC Starter Cord for COB



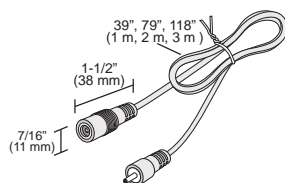
Part #	Description	SLP
L-24B2SPKT-2M-1	24VDC 2 m (79") FlexTape® Barrel/2 Screw Trml Starter Lead, White	\$17.10

● 24VDC Tee Starter Cord for COB



Part #	Description	SLP
L-24B2SPKT-2M-TEE-1	24VDC 2 m (79") FlexTape® Barrel/2 Screw Trml Tee Starter Lead, White	\$22.75

● 24VDC Extension Lead



Part #	Description	SLP
L-24BBEXT-1M-1	24VDC 1 m (39") ML/FML Barrel Extension, White	\$8.50
L-24BBEXT-2M-1	24VDC 2 m (79") ML/FML Barrel Extension, White	\$12.50
L-24BBEXT-3M-1	24VDC 3 m (119") ML/FML Barrel Extension, White	\$17.10

24VDC COB FLEXTAPE USES STANDARD FLEXTAPE® LINK CORDS, TEE CONNECTOR AND 90-DEGREE CONNECTOR. SEE PAGE 433. SEE PAGE 435 FOR COB BACK TO BACK CONNECTOR.



COMPONENTS: POWER SUPPLIES, CONTROLLERS & MORE SEE PAGE 470.

NEW! **Side-Emitting Neoloop** 12VDC



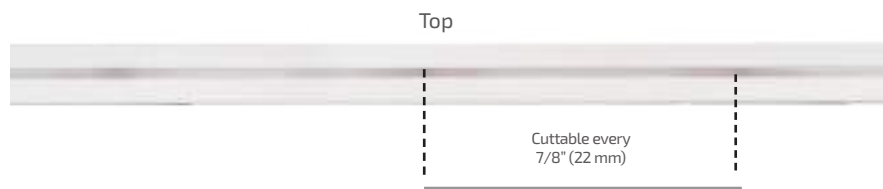
Side-Emitting: flat illuminated side bendable on the horizontal axis

3W/ft.
(9.8W/m)

100 Lumens
per ft.
(328 per meter)

110°

Bold lighting for bright applications, achieve consistent, seamless illumination from start to finish with Neoloop, flexible silicone LED lighting. Shatterproof and watertight, side-emitting Neoloop illuminates from the side and bends on a horizontal axis, a perfect solution for adding light to dark millwork, creating unique wall designs, outlining commercial logos and more.

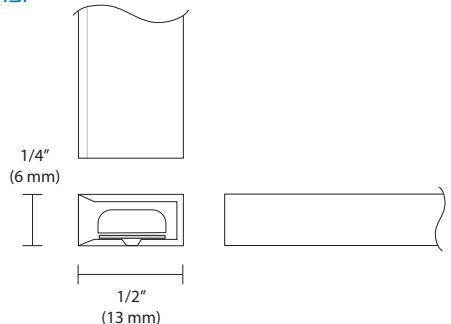


Available Finishes:



White (WH)

Dimensions:



Specifications:

Wattage	Lumens	Efficacy (lm/W)	Input Voltage	Diode Life	CRI	Bend Radius	Bend Axis	Max Per 60W Power Supply	Mounting	Warranty	Beam Angle
3W/ft (9.8W/m)	100 per ft. (328 per m)	33.3	12VDC	50,000 Hours	>90	4" (100 mm)	Horizontal	20' (7.3 m)	Surface	5 Year	110°
Photometric Data						Color Temperature					
	Height	Light Output	Beam Area								
	1ft (.3 m)	34.0Fc (366lx)	3ft L x 2.9ft W (.9 m L x .9 m W)	2700K	3000K	3500K	4500K	5500K	6500K		
	3ft (.9 m)	3.78Fc (40.7lx)	8.9ft L x 8.6ft W (2.7 m L x 2.6 m W)	Warm (2700K)	Warm (3000K)	Neutral (3500K)	Cool (4800K)	Daylight (6500K)			
6ft (1.8 m)	0.95Fc (10.2lx)	17.9ft L x 17.1ft W (5.5 m L x 5.2 m W)									

L-N1-12V3WM-48K-5M-1 Tested

NEW!

Top-Emitting Neoloop

12VDC



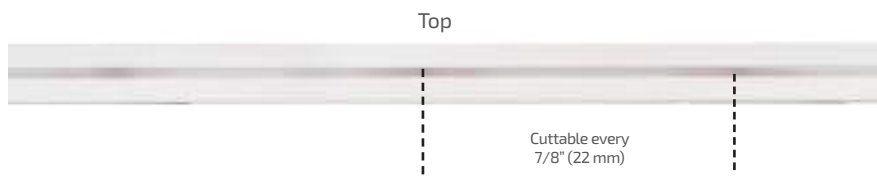
Top-Emitting: curved illuminated top bendable on the vertical axis

3W/ft.
(9.8W/m)

200 Lumens
per ft.
(656 per meter)



Bold lighting for bright applications, achieve consistent, seamless illumination from start to finish with Neoloop, flexible silicone LED lighting. Shatterproof and watertight, top-emitting Neoloop illuminates from a curved top and bends on a vertical axis, ideal for architectural accents such as under countertops, soffits or toe kick lighting.

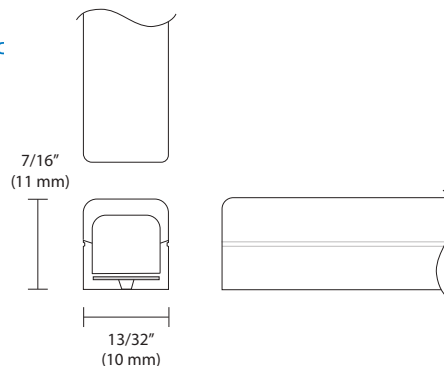


Available Finishes:



White (WH)

Dimension



Specifications:

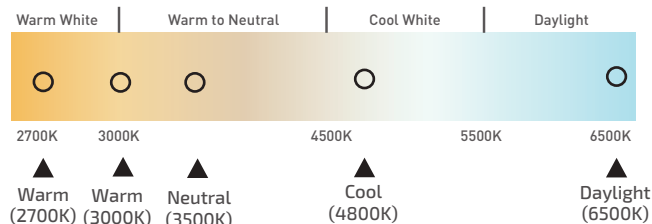
Wattage	Lumens	Efficacy (lm/W)	Input Voltage	Diode Life	CRI	Bend Radius	Bend Axis	Max Per 60W Power Supply	Mounting	Warranty	Beam Angle
3W/ft (9.8W/m)	200 per ft. (656 per m)	66.7	12VDC	50,000 Hours	>90	4" (100 mm)	Vertical	20' (7.3 m)	Surface	5 Year	145°

Photometric Data

Height	Light Output	Beam Area
1ft (.3 m)	43.2Fc (465lx)	4.1ft L x 2.8ft W (1.2 m L x .85 m W)
3ft (.9 m)	4.8Fc (51.6lx)	12.3ft L x 8.3ft W (3.7 m L x 2.5 m W)
6ft (1.8 m)	1.2Fc (12.9lx)	24.6ft L x 16.7ft W (7.5 m L x 5.1 m W)

L-N2-12V3WM-48K-5M-1 Tested

Color Temperature



NEW!

Side-Emitting Neoloop

24VDC



Side-Emitting: flat illuminated side bendable on the horizontal axis

3W/ft.
(9.8W/m)

100 Lumens
per ft.
(328 per meter)

110°

Bold lighting for bright applications, achieve consistent, seamless illumination from start to finish with Neoloop, flexible silicone LED lighting. Shatterproof and watertight, side-emitting Neoloop illuminates from the side and bends on a horizontal axis, a perfect solution for adding light to dark millwork, creating unique wall designs, outlining commercial logos and more.



Top



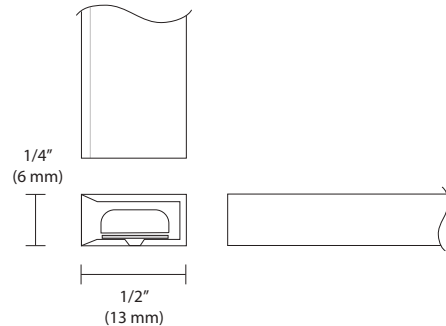
Cuttable every
1-31/32" (50 mm)

Available Finishes:



White (WH)

Dimensions:



Specifications:

Wattage	Lumens	Efficacy (lm/W)	Input Voltage	Diode Life	CRI	Bend Radius	Bend Axis	Max Per 96W Power Supply	Mounting	Warranty	Beam Angle	
3W/ft (9.8W/m)	100 per ft. (328 per m)	33.3	24VDC	50,000 Hours	>90	4" (100 mm)	Horizontal	26.25' (8 m)	Surface	5 Year	110°	
Photometric Data						Color Temperature						
	Height	Light Output	Beam Area									
	1ft (.3 m)	34.0Fc (366lx)	3ft L x 2.9ft W (.9 m L x .9 m W)									
	3ft (.9 m)	3.78Fc (40.7lx)	8.9ft L x 8.6ft W (2.7 m L x 2.6 m W)									
	6ft (1.8 m)	0.95Fc (10.2lx)	17.9ft L x 17.1ft W (5.5 m L x 5.2 m W)									
				Warm White	Warm to Neutral	Cool White	Daylight					
				2700K	3000K	3500K	4500K	5500K	6500K			
				▲ Warm (2700K)	▲ Warm (3000K)	▲ Neutral (3500K)	▲ Cool (4800K)	▲ Daylight (6500K)				

L-N1-24V3WM-48K-8M-1 Tested

NEW!

Top-Emitting Neoloop

24VDC



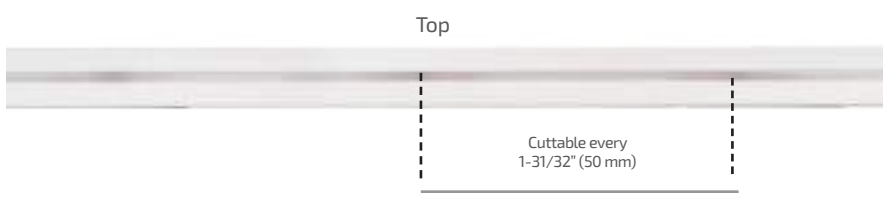
Top-Emitting: curved illuminated top bendable on the vertical axis

3W/ft.
(9.8W/m)

200 Lumens per ft.
(656 per meter)



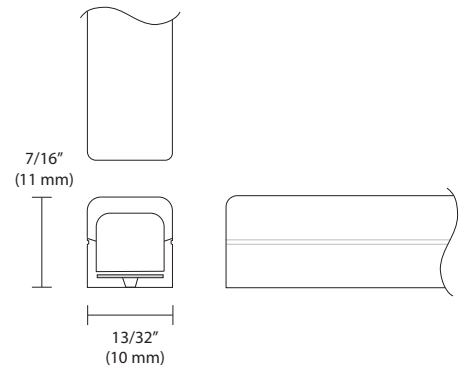
Bold lighting for bright applications, achieve consistent, seamless illumination from start to finish with Neoloop, flexible silicone LED lighting. Shatterproof and watertight, top-emitting Neoloop illuminates from a curved top and bends on a vertical axis, ideal for architectural accents such as under countertops, soffits, or toe kick lighting.



Available Finishes:



Dimensions:



Specifications:

Wattage	Lumens	Efficacy (lm/W)	Input Voltage	Diode Life	CRI	Bend Radius	Bend Axis	Max Per 96W Power Supply	Mounting	Warranty	Beam Angle
3W/ft (9.8W/m)	200 per ft. (656 per m)	66.7	12VDC	50,000 Hours	>90	4" (100 mm)	Vertical	26.25' (8 m)	Surface	5 Year	145°

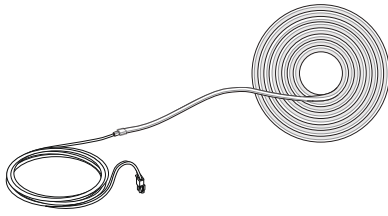
Photometric Data				Color Temperature				
	Height	Light Output	Beam Area					
	1ft (.3 m)	43.2Fc (465lx)	4.1ft L x 2.8ft W (1.2 m L x .85 m W)	2700K	3000K	4500K	5500K	6500K
	3ft (.9 m)	4.8Fc (51.6lx)	12.3ft L x 8.3ft W (3.7 m L x 2.5 m W)	Warm (2700K)	Warm (3000K)	Neutral (3500K)	Cool (4800K)	Daylight (6500K)
6ft (1.8 m)	1.2Fc (12.9lx)	24.6ft L x 16.7ft W (7.5 m L x 5.1 m W)						

L-N2-24V3WM-48K-8M-1 Tested



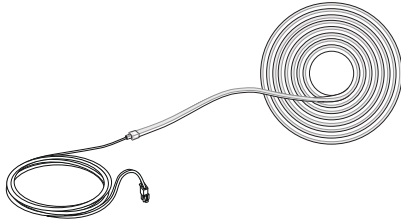
Waste
Blind Corner
Sink
Base
Tall
Drawer
Wall
Vanity
Closet
Lazy Susan
LED Lighting

● 12VDC Side-Emitting Neoloop



Part #	Description	SLP
L-N1-12V3WM-27K-5M-1	12VDC 3W/FT 5 m (16.4') 2700K N1 Side w/ 2 Molded Inputs	\$286.85
L-N1-12V3WM-30K-5M-1	12VDC 3W/FT 5 m (16.4') 3000K N1 Side w/ 2 Molded Inputs	\$286.85
L-N1-12V3WM-35K-5M-1	12VDC 3W/FT 5 m (16.4') 3500K N1 Side w/ 2 Molded Inputs	\$286.85
L-N1-12V3WM-48K-5M-1	12VDC 3W/FT 5 m (16.4') 4800K N1 Side w/ 2 Molded Inputs	\$286.85
L-N1-12V3WM-65K-5M-1	12VDC 3W/FT 5 m (16.4') 6500K N1 Side w/ 2 Molded Inputs	\$286.85

● 12VDC Top-Emitting Neoloop



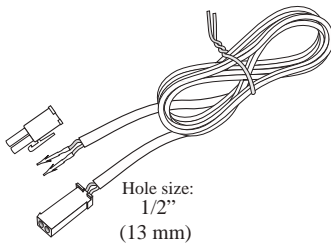
Part #	Description	SLP
L-N2-12V3WM-27K-5M-1	12VDC 3W/FT 5 m (16.4') 2700K N2 Top w/ 2 Molded Inputs	\$303.65
L-N2-12V3WM-30K-5M-1	12VDC 3W/FT 5 m (16.4') 3000K N2 Top w/ 2 Molded Inputs	\$303.65
L-N2-12V3WM-35K-5M-1	12VDC 3W/FT 5 m (16.4') 3500K N2 Top w/ 2 Molded Inputs	\$303.65
L-N2-12V3WM-48K-5M-1	12VDC 3W/FT 5 m (16.4') 4800K N2 Top w/ 2 Molded Inputs	\$303.65
L-N2-12V3WM-65K-5M-1	12VDC 3W/FT 5 m (16.4') 6500K N2 Top w/ 2 Molded Inputs	\$303.65

● 12VDC Power Supplies



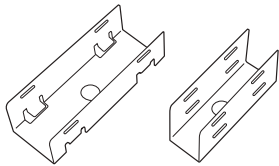
For details see Power Supplies on Page 470.

● 12VDC Starter Cord Extension/Link Cord



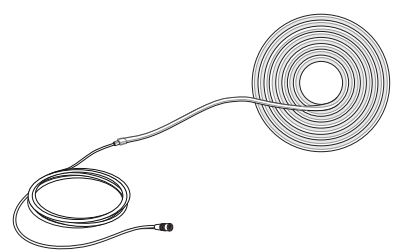
Part #	Description	SLP
L-LED-LINKD-8-1	12VDC 8 cm (3") Starter/Link/Extension Cord	\$3.80
L-LED-LINKD-15-1	12VDC 15 cm (6") Starter/Link/Extension Cord	\$4.65
L-LED-LINKD-25-1	12VDC 25 cm (10") Starter/Link/Extension Cord	\$6.65
L-LED-LINKD-60-1	12VDC 60 cm (24") Starter/Link/Extension Cord	\$7.70
L-LED-LINKD-120-1	12VDC 120 cm (48") Starter/Link/Extension Cord	\$9.40
L-LED-LINKD-180-1	12VDC 180 cm (72") Starter/Link/Extension Cord	\$11.45
L-LED-LINKD-245-1	12VDC 245 cm (96") Starter/Link/Extension Cord	\$13.85

● 12/24VDC Neoloop U-Clips



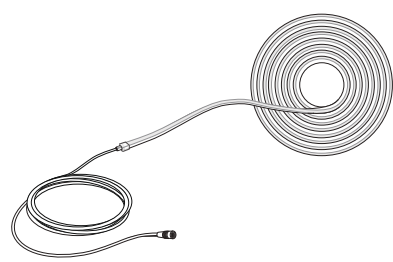
Part #	Description	SLP
L-N1-UCLP-1	12/24VDC Neoloop DIY U-Clip Mount, Side-Emitting	\$12.55
L-N2-UCLP-1	12/24VDC Neoloop DIY U-Clip Mount, Top-Emitting	\$14.55

● 24VDC Side-Emitting Neoloop



Part #	Description	SLP
L-N1-24V3WM-27K-8M-1	24VDC 3W/FT 8 m (26.25') 2700K N1 Side w/ 2 Molded Inputs	\$467.80
L-N1-24V3WM-30K-8M-1	24VDC 3W/FT 8 m (26.25') 3000K N1 Side w/ 2 Molded Inputs	\$467.80
L-N1-24V3WM-35K-8M-1	24VDC 3W/FT 8 m (26.25') 3500K N1 Side w/ 2 Molded Inputs	\$467.80
L-N1-24V3WM-48K-8M-1	24VDC 3W/FT 8 m (26.25') 4800K N1 Side w/ 2 Molded Inputs	\$467.80
L-N1-24V3WM-65K-8M-1	24VDC 3W/FT 8 m (26.25') 6500K N1 Side w/ 2 Molded Inputs	\$467.80

● 24VDC Top-Emitting Neoloop



Part #	Description	SLP
L-N2-24V3WM-27K-8M-1	24VDC 3W/FT 8 m (26.25') 2700K N2 Top w/ 2 Molded Inputs	\$470.75
L-N2-24V3WM-30K-8M-1	24VDC 3W/FT 8 m (26.25') 3000K N2 Top w/ 2 Molded Inputs	\$470.75
L-N2-24V3WM-35K-8M-1	24VDC 3W/FT 8 m (26.25') 3500K N2 Top w/ 2 Molded Inputs	\$470.75
L-N2-24V3WM-48K-8M-1	24VDC 3W/FT 8 m (26.25') 4800K N2 Top w/ 2 Molded Inputs	\$470.75
L-N2-24V3WM-65K-8M-1	24VDC 3W/FT 8 m (26.25') 6500K N2 Top w/ 2 Molded Inputs	\$470.75

● 24VDC Power Supplies



For details see Power Supplies on Page 470.

● 24VDC Starter Cord Extension/Link Cord

Part #	Description
L-N1-24PKT-2M-1	24VDC 2 m (79") Neoloop DIY Starter Lead, Side-Emitting
L-N2-24PKT-2M-1	24VDC 2 m (79") Neoloop DIY Starter Lead, Top-Emitting

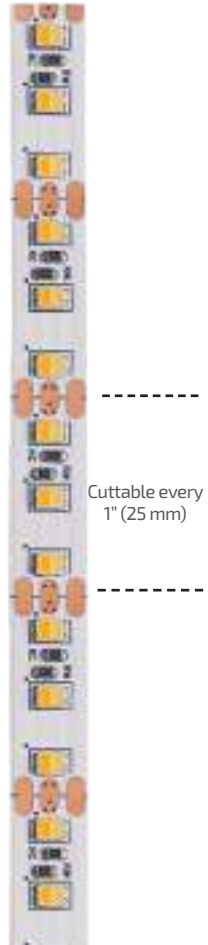


COMPONENTS: POWER SUPPLIES, CONTROLLERS & MORE SEE PAGE 470.



12VDC

White Tunable FlexTape®



Cuttable every
1" (25 mm)

3W/ft.
(9.8W/m)

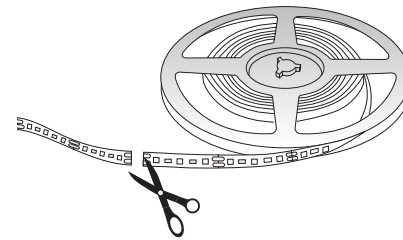
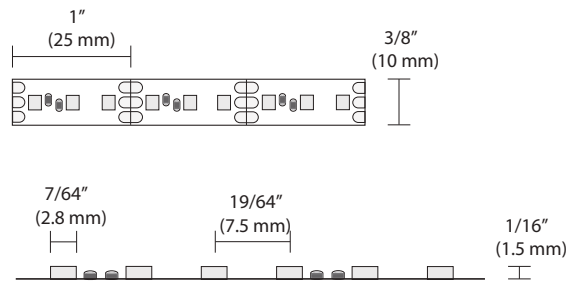
345 Lumens
per ft.
(1132 per meter)



Changing your light source's color temperature is easy with Tresco® White Tunable (CCT) FlexTape® lighting solution. Select between warmer lighting that highlights natural wood grains and earth tones or cool lighting to highlight whites; perfect for cabinet, task or accent lighting and store fixtures. The low profile and adhesive 3M™ backing give this LED lighting solution the versatility to install in a multitude of places. Eliminate the guesswork and get the LED that pairs perfectly with your general lighting and overall design.



Dimensions:



16.4' (5 m)
roll length

Specifications:

Wattage	Lumens	Efficacy (lm/W)	Input Voltage	Diode Life	Max Per Power Supply 60W	Max Continuous Run	Mounting	Warranty	Beam Angle	
3W/ft. (9.8W/m)	345 per ft. (1132 per m)	115	12VDC	50,000 Hours	20' (6 m)	16.4' (5 m)	Surface	5 Year		
Photometric Data					Color Temperature					
	Height	Light Output	Beam Area							
	1ft (.3 m)	114Fc (1227lx)	3.2ft L x 3ft W (.97 m L x .91 m W)	2700K	3000K	4500K	5500K	6500K	Warm (2700K)	Daylight (6500K)
	3ft (.9 m)	12.7Fc (136.7lx)	9.7ft L x 9ft W (2.9 m L x 2.7 m W)							
6ft (1.8 m)	3.17Fc (34.1lx)	19.4ft L x 18.1ft W (5.9 m L x 5.5 m W)								
L-FLXTPE-12CCT-1 Tested at 4600K										



24VDC

White Tunable FlexTape®



Cuttable every 2" (50 mm)

3W/ft.
(9.8W/m)

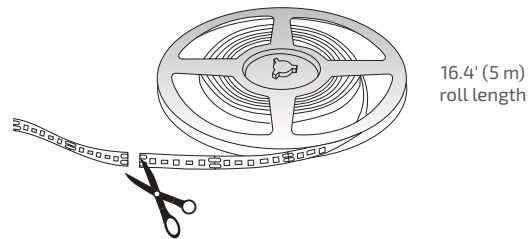
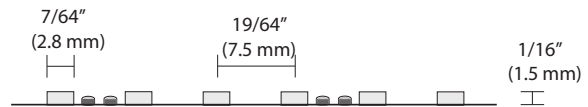
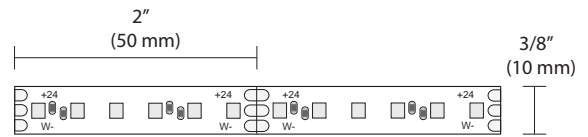
345 Lumens
per ft.
(1132 per meter)



Changing your light source's color temperature is easy with Tresco® White Tunable (CCT) FlexTape® lighting solution. Select between warmer lighting that highlights natural wood grains and earth tones or cool lighting to highlight whites; perfect for cabinet, task or accent lighting and store fixtures. The low profile and adhesive 3M™ backing give this LED lighting solution the versatility to install in a multitude of places. Eliminate the guesswork and get the LED that pairs perfectly with your general lighting and overall design.



Dimensions:



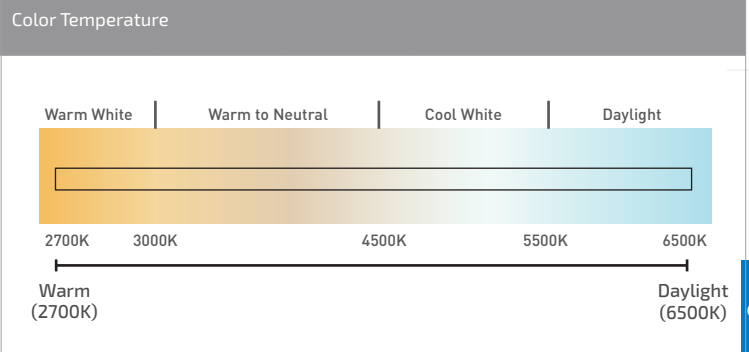
Specifications:

Wattage	Lumens	Efficacy (lm/W)	Input Voltage	Diode Life	Max Per Power Supply 96W	Max Continuous Run	Mounting	Warranty	Beam Angle
3W/ft. (9.8W/m)	345 per ft. (1132 per m)	115	24VDC	50,000 Hours	30'(9m)	16.4' (5 m)	Surface	5 Year	

Photometric Data

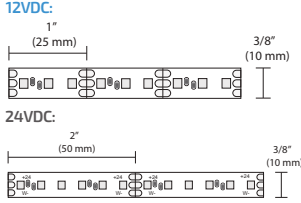
Height	Light Output	Beam Area
1ft (.3m)	114Fc (1227lx)	3.2ft L x 3ft W (.97 m L x .91 m W)
3ft (.9m)	12.7Fc (136.7lx)	9.7ft L x 9ft W (2.9 m L x 2.7 m W)
6ft (1.8m)	3.17Fc (34.1lx)	19.4ft L x 18.1ft W (5.9 m L x 5.5 m W)

L-FLXTPE-24CCT-1 Tested at 4600K



Waste
Blind Corner
Sink
Base
Tall
Drawer
Wall
Vanity
Closet
Lazy Susan
LED Lighting

● 12/24VDC White Tunable FlexTape®



Part #	Description	SLP
L-FLXTPE-12CCT-1	12VDC 3W/FT 16.4' (5 m) CCT FlexTape® Roll	\$283.65
L-FLXTPE-24CCT-1	24VDC 3W/FT 16.4' (5 m) CCT FlexTape® Roll	\$283.65

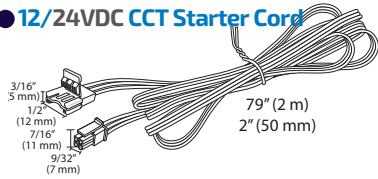
Maximum continuous run is 16.4' (5 m). Maximum per power supply is 12VDC: 20' (6 m), 24VDC: 30' (5 m). Mounts with adhesive backing. 12VDC is cuttable every 1" (25 mm), 24VDC is cuttable every 2" (50 mm). To be used on clean, smooth surfaces. Pressure must be applied for proper 3M™ tape adhesion.

● 12/24VDC Power Supplies



For details see Power Supplies on Page 470.
Power supplies for 12VDC work with 12VDC CCT FlexTape®, Power supplies for 24VDC work with 24VDC CCT FlexTape®

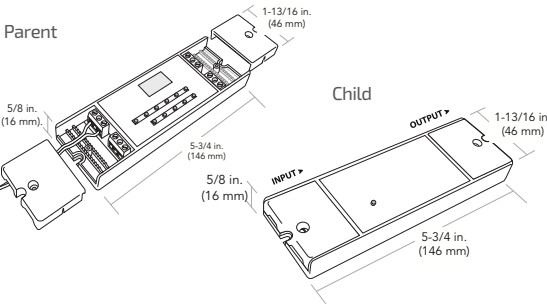
● 12/24VDC CCT Starter Cord



Part #	Description	SLP
L-TPEPKT-2M-CCT-1	12/24VDC 2 m (79") FlexTape® CCT Starter Lead	\$12.80
L-TPEPKT-2IN-CCT-1	12/24VDC 50 mm (2") FlexTape® CCT Starter Lead	\$7.35

5/8" (16 mm) hole required.
Maximum linear run of White Tunable FlexTape® LED from one starter cord is 16.4' (5 m).

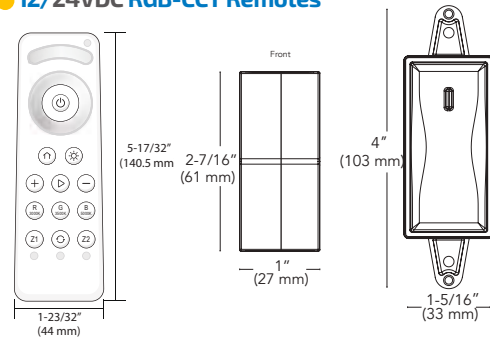
● 12/24VDC RGB-CCT Controllers/Receivers



Part #	Description	SLP
L-RGBCCT1-PREC-1	12/24VDC RGBCCT Parent Controller/Receiver	\$148.20
L-RGBCCT1-CREC-1*	12/24VDC RGBCCT Child Controller/Receiver	\$134.15

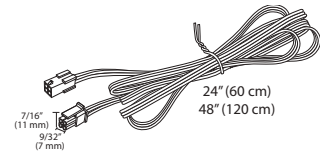
*Child Receiver is optional
6 output adaptor sold separately.

● 12/24VDC RGB-CCT Remotes



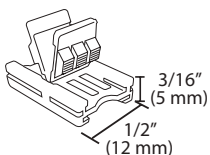
Part #	Description	SLP
L-RGBCCT-RMT-1	RGB-CCT Wireless Remote	\$94.35
L-WLD-CCT-WH-1	CCT FREEDiM Deco Wall Dimmer, White	\$152.00
L-WLD-RGB-WH-1	RGB FREEDiM Deco Wall Dimmer, White	\$152.00

● 12/24VDC Starter CCT Extension Leads



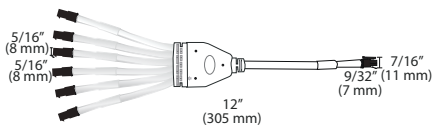
Part #	Description	SLP
L-CCTEXT-60-1	12/24VDC 60 cm (24") CCT FlexTape® Starter Extension Lead	\$8.85
L-CCTEXT-120-1	12/24VDC 120 cm (48") CCT FlexTape® Starter Extension Lead	\$10.95

● 12/24VDC CCT Back-to-Back Connector



Part #	Description	SLP
L-TPE-BTB-CCT-1	12/24VDC CCT FlexTape® Back-to-Back Connector	\$2.20

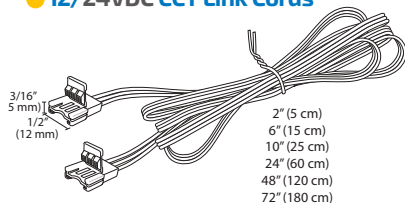
● 12/24VDC 6 Output Adaptor



Part #	Description	SLP
L-4P6O-1	12/24VDC 4 Position, 6 Output Adaptor, White	\$35.10

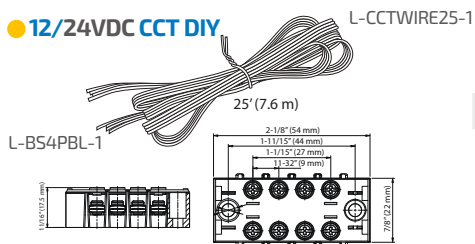
Use to connect up to (6) CCT Starter Leads to the same parent of child controller/receiver for uniform color temperature and control.

● 12/24VDC CCT Link Cords



Part #	Description	SLP
L-TPELNK5-CCT-1	5 cm (2") CCT FlexTape® Link Cord	\$3.80
L-TPELNK15-CCT-1	15 cm (6") CCT FlexTape® Link Cord	\$4.55
L-TPELNK25-CCT-1	25 cm (10") CCT FlexTape® Link Cord	\$5.00
L-TPELNK60-CCT-1	50 cm (24") CCT FlexTape® Link Cord	\$6.30
L-TPELNK120-CCT-1	120 cm (48") CCT FlexTape® Link Cord	\$7.70
L-TPELNK180-CCT-1	180 cm (72") CCT FlexTape® Link Cord	\$9.40

● 12/24VDC CCT DIY



Part #	Description	SLP
L-CCTWIRE25-1	25' (7.6 m) 20AWG CCT Wire Roll	\$17.75
L-BS4PBL-1	12/24VDC Barrier Splice 4 Position Black	\$7.80



COMPONENTS: POWER SUPPLIES, CONTROLLERS & MORE SEE PAGE 470.



12VDC

RGB Tunable FlexTape®

BALANCE



Cuttable every
1-5/8"
(42 mm)

4.4W/ft.
(14.4W/m)

Red	Green	Blue
48 Lumens per ft. (157 per meter)	121 Lumens per ft. (397 per meter)	35 Lumens per ft. (115 per meter)

120°

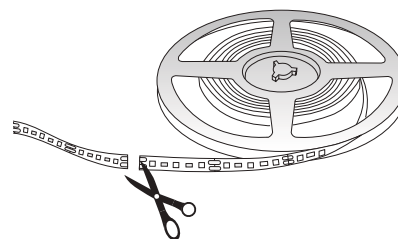
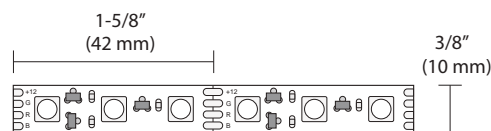
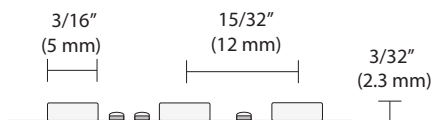
Tresco®'s RGB Balance FlexTape® goes the distance, with 16 million color variations and On-Board Constant Current Regulators creating consistent dramatic lighting is a reality. Created for high-end projects including residential, hospitality and commercial.

Why Balance

All tape lighting has inherent voltage drop. This voltage drop can cause color shift in longer runs of RGB. The On-Board Constant Current Regulators prevent this from happening resulting in balanced color from start to finish.



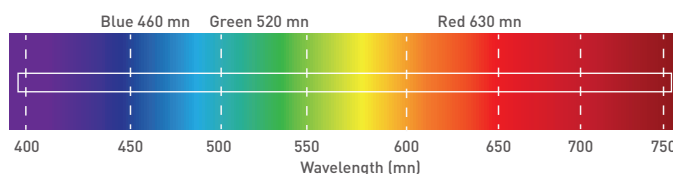
Dimensions:



13' (4 m)
roll length

Specifications:

Wattage	Lumens	Input Voltage	Diode Life	Max Per Power Supply 60W	Max Continuous Run	Mounting	Warranty	Beam Angle
4.4W/ft. (14.4W/m)	Red: 48 per ft. (157 per m) Green: 121 per ft. (397 per m) Blue: 35 per ft. (115 per m)	12VDC	50,000 Hours	13' (4 m)	13' (4 m)	Surface	5 Year	120°



Wavelengths are averages.



24V DC

RGB Tunable FlexTape®

BALANCE

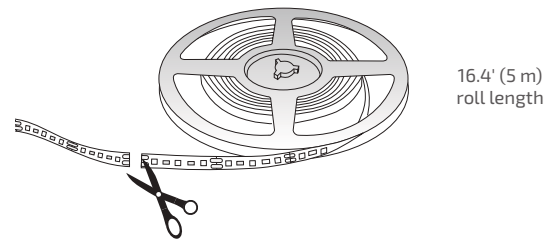
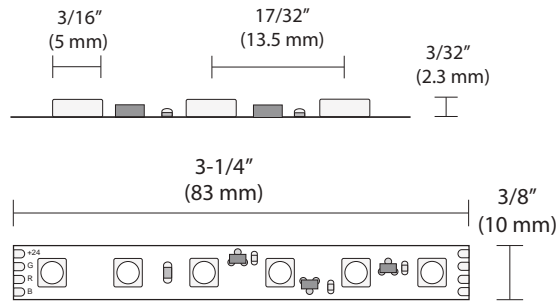


Cuttable every 3-1/4" (83 mm)

4.4W/ft. (14.4W/m)	Red 51 Lumens per ft. (167 per meter)	Green 117 Lumens per ft. (384 per meter)	Blue 41 Lumens per ft. (135 per meter)	
	Tresco's RGB Balance FlexTape® goes the distance, with 16 million color variations and On-Board Constant Current Regulators creating consistent dramatic lighting is a reality. Created for high-end projects including residential, hospitality and commercial			
Why Balance All tape lighting has inherent voltage drop. This voltage drop can cause color shift in longer runs of RGB. The On-Board Constant Current Regulators prevent this from happening resulting in balanced color from start to finish.				

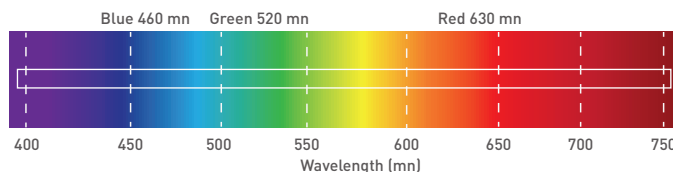


Dimensions:



Specifications:

Wattage	Lumens	Input Voltage	Diode Life	Max Per Power Supply 96W	Max Continuous Run	Mounting	Warranty	Beam Angle
4.4W/ft. (14.4W/m)	Red: 51 per ft. (167 per m) Green: 117 per ft. (384 per m) Blue: 41 per ft. (135 per m)	24VDC	50,000 Hours	21' (6.4 m)	16.4' (5 m)	Surface	5 Year	



Wavelengths are averages.



Waste
Blind Corner
Sink
Base
Tail
Drawer
Wall
Vanity
Closet
Lazy Susan
LED Lighting



RGB Tunable FlexTape[®]

STANDARD

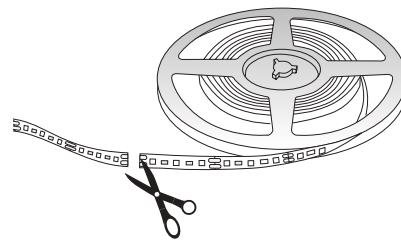
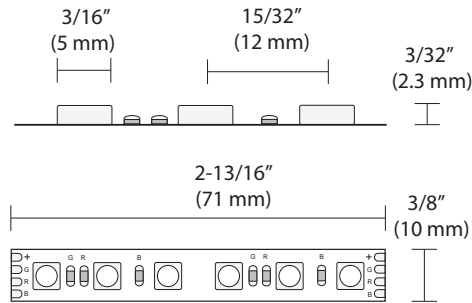
24VDC



4.4W/ft. (14.4W/m)	Red 51 Lumens per ft. <small>(167 per meter)</small>	Green 117 Lumens per ft. <small>(384 per meter)</small>	Blue 41 Lumens per ft. <small>(135 per meter)</small>	
	Creating dramatic lighting with 16 million colors is a reality with Tresco Lightings RGB Standard color-changing FlexTape [®] . Created and priced for everyday projects.			

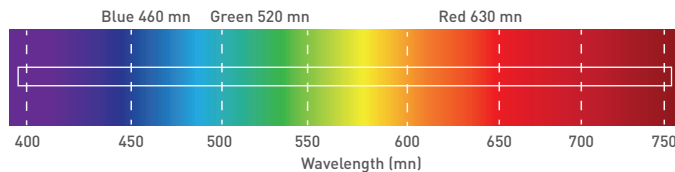


Dimensions:



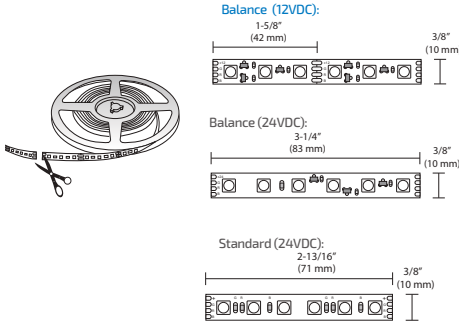
Specifications:

Wattage	Lumens	Input Voltage	Diode Life	Max Per Power Supply 96W	Max Continuous Run	Mounting	Warranty	Beam Angle
4.4W/ft. (14.4W/m)	Red: 51 per ft. (167 per m) Green: 117 per ft. (384 per m) Blue: 41 per ft. (135 per m)	24VDC	50,000 Hours	21' (6.4 m)	16.4' (5 m)	Surface	5 Year	



- Required
- Optional

12/24VDC RGB Tunable FlexTape®



Part #	Description	SLP
L-FLXTPE-12RGB-1	12VDC 4.4W/FT 13' (4 m) RGB Balance FlexTape® Roll	\$438.45
L-FLXTPE-24RGB-1	24VDC 4.4W/FT 16.4' (5 m) RGB Balance FlexTape® Roll	\$493.20
L-TPELED-24RGB-1	24VDC 4.4W/FT 16.4' (5 m) RGB Standard FlexTape® Roll	\$218.05

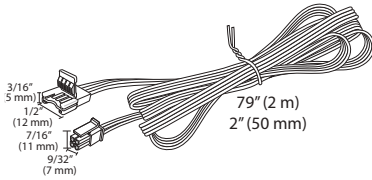
Maximum continuous run is 13' (4 m) for 12VDC and 16.4' (5 m) for 24VDC. Maximum per power supply is 12VDC: 13' (4 m), 24VDC: 16.4' (5 m). Mounts with adhesive backing. Standard 24VDC is cuttable every 2-13/16" (71 mm), RGB Balance 12VDC is cuttable every 1-5/8" (42 mm), RGB Balance 24VDC is cuttable every 3-1/4" (83 mm). To be used on clean, smooth surfaces. Pressure must be applied for proper 3M™ tape adhesion.

12/24VDC Power Supplies



For details see Power Supplies on Page 470.
Power supplies for 12VDC work with 12VDC RGB FlexTape®, Power supplies for 24VDC work with 24VDC RGB FlexTape®

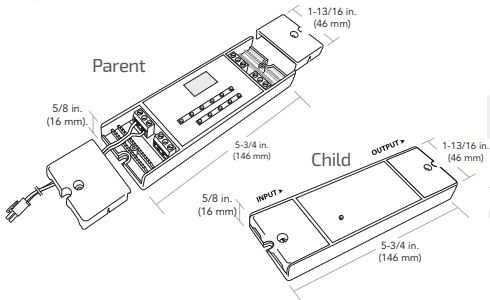
12/24VDC RGB Starter Cord



Part #	Description	SLP
L-TPEPKT-2IN-RGB-1	12/24VDC 50 mm (2") FlexTape® RGB Starter Lead	\$7.35
L-TPEPKT-2M-RGB-1	12/24VDC 2 m (79") FlexTape® RGB Starter Lead	\$12.80

5/8" (16 mm) hole required.
Maximum linear run of RGB Tunable FlexTape® LED from one starter cord is 16.4' (5 m).

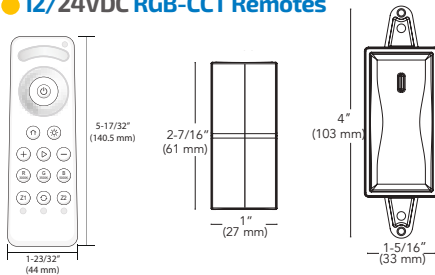
12/24VDC RGB-CCT Controllers/Receivers



Part #	Description	SLP
L-RGBCCT1-PREC-1	12/24VDC RGB-CCT Parent Controller/Receiver	\$148.20
L-RGBCCT1-CREC-1*	12/24VDC RGB-CCT Child Controller/Receiver	\$134.15

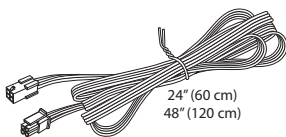
*Child Receiver is optional
6 output adaptor sold separately.

12/24VDC RGB-CCT Remotes



Part #	Description	SLP
L-RGBCCT-RMT-1	RGB-CCT Wireless Remote	\$94.35
L-WLD-CCT-WH-1	CCT FREEDiM Deco Wall Dimmer, White	\$152.00
L-WLD-RGB-WH-1	RGB FREEDiM Deco Wall Dimmer, White	\$152.00

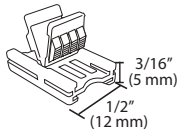
12/24VDC RGB Starter Extension Leads



Part #	Description	SLP
L-RGBEXT-60-1	12/24VDC 60 cm (24") RGB FlexTape® Starter Extension Lead	\$8.85
L-RGBEXT-120-1	12/24VDC 120 cm (48") RGB FlexTape® Starter Extension Lead	\$10.95

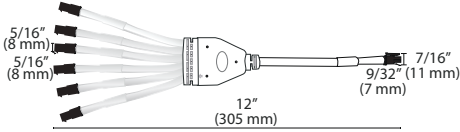
Waste
Blind Corner
Sink
Base
Tall
Drawer
Wall
Vanity
Closet
Lazy Susan
LED Lighting

● 12/24VDC RGB Back-to-Back Connector



Part #	Description	SLP
L-TPE-BTB-RGB-1	12/24VDC RGB FlexTape® Back-to-Back Connector	\$2.20

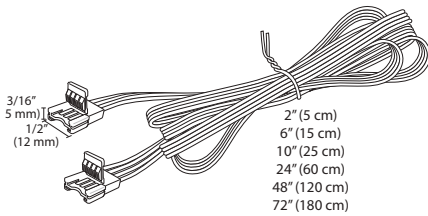
● 12/24VDC 6 Output Adaptor



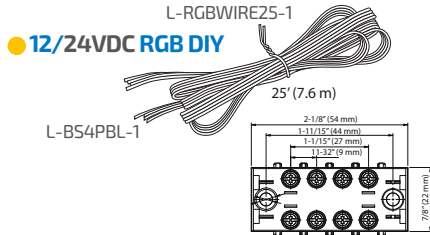
Part #	Description	SLP
L-4P60-1	4 Position, 6 Output Adaptor, White	\$35.10

Use to connect up to (6) RGB Starter Leads to the same parent of child controller/receiver for uniform color temperature and control.

● 12/24VDC RGB Link Cord



Part #	Description	SLP
L-TPELNK5-RGB-1	12/24VDC 5 cm (2") RGB FlexTape® Link Cord	\$3.80
L-TPELNK15-RGB-1	12/24VDC 15 cm (6") RGB FlexTape® Link Cord	\$4.55
L-TPELNK25-RGB-1	12/24VDC 25 cm (10") RGB FlexTape® Link Cord	\$5.00
L-TPELNK60-RGB-1	12/24VDC 60 cm (24") RGB FlexTape® Link Cord	\$6.30
L-TPELNK120-RGB-1	12/24VDC 120 cm (48") RGB FlexTape® Link Cord	\$7.70
L-TPELNK180-RGB-1	12/24VDC 180 cm (72") RGB FlexTape® Link Cord	\$9.40



● 12/24VDC RGB DIY

Part #	Description	SLP
L-RGBWIRE25-1	25' (7.6 m) 22AWG RGB Wire Roll	\$17.75
L-BS4PBL-1	12/24VDC Barrier Splice 4 Position, Black	\$7.80



COMPONENTS: POWER SUPPLIES, CONTROLLERS & MORE SEE PAGE 470.



SCAN FOR PRICING!

Waste
Blind Corner
Sink
Base
Tall
Drawer
Wall
Vanity
Closet
Lazy Susan

LED Lighting





12VDC
24VDC

Infinex

EXTRUSION STYLES AND FEATURES

Infinex is the innovative, patented, LED aluminum extrusion system by Tresco® Lighting. Gone are the days of set fixture sizes, simply choose your style, cut to desired length and assemble to create a customized LED fixture. Designed by our in-house engineers and made in the USA, Infinex carries a UL safety certification and is available in six profiles with an array of installation options.

Infinex is designed for easy DIY application. We also offer prefabricated custom solutions with a minimum quantity order.

US PATENT NO: D783,533 and 9,618,194

SQUARE



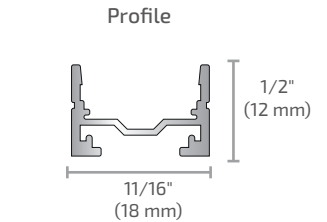
MOUNTING



U-Clips sold separately



Couplers Sold Separately



End Caps Sold Separately

Features

- Surface mount using magnets, U-Clips or screws
- Easily slide magnets into channel on bottom of light
- Uses Infinex starter leads

Available stock finishes



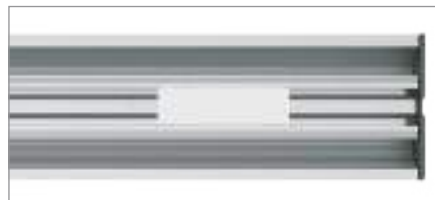
CURVE



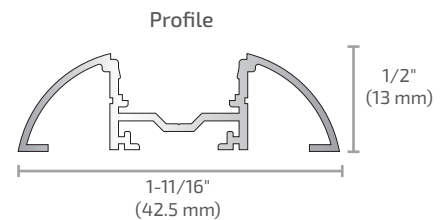
MOUNTING



U-Clips sold separately



Couplers Sold Separately



End Caps Sold Separately

Features

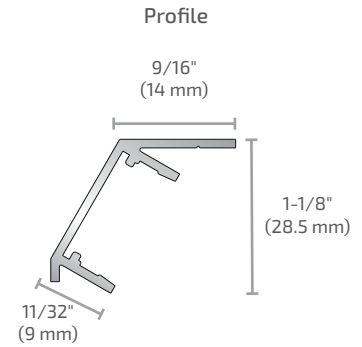
- Surface mount using magnets, U-Clips or screws
- Easily slide magnets into channel on bottom of light
- Uses Infinex starter leads

Available stock finishes



Waste
Blind Corner
Sink
Base
Tall
Drawer
Wall
Vanity
Closet
Lazy Susan

ANGLE



End Caps Sold Separately

Features

- For corner mounting with screws only
- Fixture directs light at 30° angle
- Uses Infinex starter leads

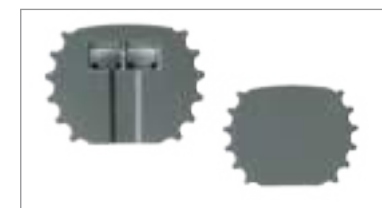
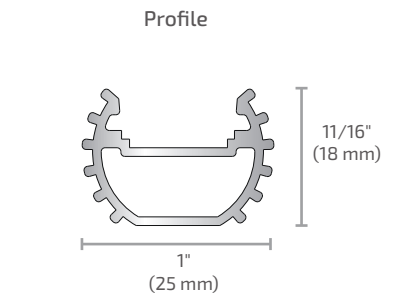
Available stock finishes



ROUND



U-Clips sold separately

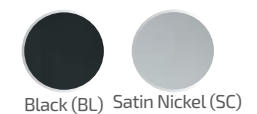


End Caps Sold Separately

Features

- U-Clip mounting allows fixture to be rotated in 15° increments either direction (30°, 15°, 0°, -15°, -30°)
- Uses Infinex starter leads

Available finishes



Infinex

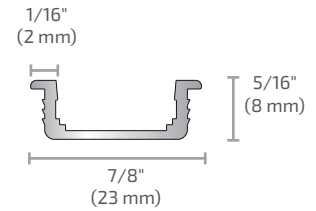
RECESSED



MOUNTING



Profile



End Caps Sold Separately

Features

Grooved sides allow extrusion to pressure fit into place*

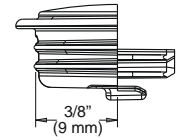
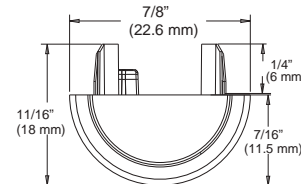
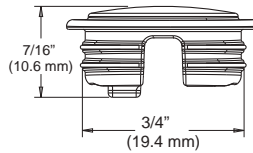
Uses standard FlexTape® starter lead

*With Endcap: Route a channel in wood 21/64" (8.33 mm) depth minimum x .750" (19 mm) width and pressure fit this extrusion in place.

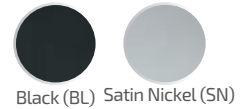
Without Endcap: Route a channel in wood 9/32" (7.14 mm) depth minimum x .750" (19 mm) width and pressure fit this extrusion in place.

Recessed extrusion uses standard FlexTape® starter lead. (L-LED-TPEPKT-2M-1, L-24B2SPKT-2M-1)

Recessed End Cap Dimensions:



Available finishes



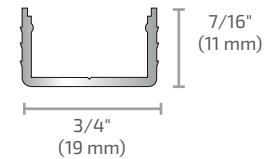
FLUSH



MOUNTING



Profile



No End Caps

Features

No end caps...this extrusion is meant for channels that go the entire width or height of the casework

Comes with milk diffuser (unattached)

Uses standard FlexTape® starter lead

*Route a channel in wood 7/16" (11 mm) depth x 3/4" (19 mm) width and pressure fit this extrusion in place.

Flush extrusion uses standard FlexTape® starter lead. (L-LED-TPEPKT-2M-1, L-24B2SPKT-2M-1)

Available finishes





INFINEX INTEGRATED CONTROL OPTIONS



Dimmer Only



Dimmer/Motion Combo

Features:

Controls are elegantly and fully integrated into the made-to-order Infinox fixture

ON/OFF and dimming controls use a glowing digital button for easy visual recognition

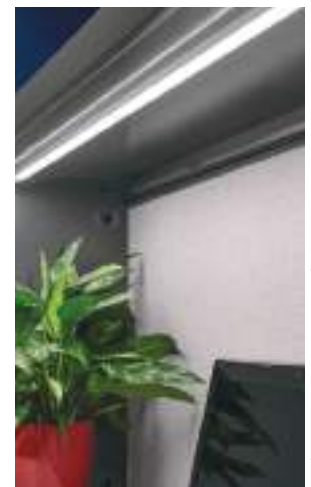
An optional fully-integrated occupancy sensor available to automatically turn the fixture off after 30-minutes of no activity or Tresco® can customize the desired time delay

Easily switch between manual and occupancy sensor modes

Returns to last setting when turned on

Typical Applications:

- Hospitality applications utilizing the integrated occupancy sensor for:
 - Hotel or hospital closet, vanity or headboard lighting
 - Task lighting for nurses' stations
- Attach under: furniture and bathroom cabinetry
- Office furniture: task lighting under overhead shelves, bins, cabinets and privacy booths
- Under residential or commercial cabinetry to illuminate a countertop and/or backsplash
- Retail: utilize the integrated occupancy sensor to turn display lighting on when customers approach



Dimmer Only

- Touch ON/OFF
- Gradual dimming from 100%-5%
- Power failure memory (retains last setting)
- 10 hour automatic energy saving shutoff

Dimmer/Motion Sensor Combo

- 4 step dimming 100/75/50/25
- 30 minute preset motion sensor*
- Motion sensor can be deactivated
- Dimmer works in motion sensor mode or standalone mode
- 10 hour automatic energy saving shutoff in dimmer only mode

*Motion sensor time can be customized by Tresco® Lighting

Not sold individually for DIY Infinox



Waste

Blind Corner

Sink

Base

Tall

Drawer

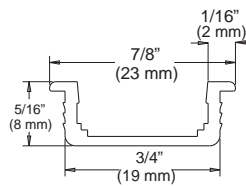
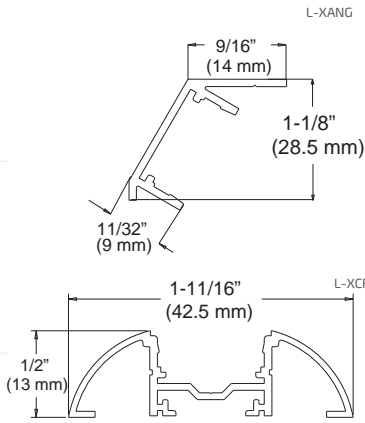
Wall

Vanity

Closet

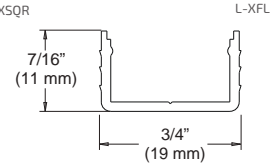
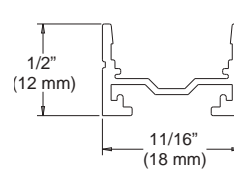
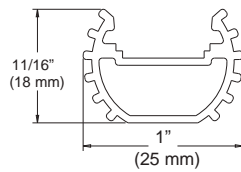
Lazy Susan

● Extrusions



Part #	Description	SLP	● Required ● Optional
L-XANG72-SC-1	72" (1.8 m) Angled Extrusion, Satin Clear	\$41.35	●
L-XANG72-**-1	72" (1.8 m) Angled Extrusion, Other Finishes	\$62.35	●
L-XCRV72-SC-1	72" (1.8 m) Curved Extrusion, Satin Clear	\$61.05	●
L-XCRV72-**-1	72" (1.8 m) Curved Extrusion, Other Finishes	\$72.90	●
L-XREC72-SC-1	72" (1.8 m) Recessed Extrusion, Satin Clear	\$35.75	●
L-XREC94-SC-1	94" (2.4 m) Recessed Extrusion, Satin Clear	\$49.35	●
L-XREC72-BL-1	72" (1.8 m) Recessed Extrusion, Black	\$42.80	●
L-XRND72-SC-1	72" (1.8 m) Round Extrusion, Satin Clear	\$49.55	●
L-XRND72-BL-1	72" (1.8 m) Round Extrusion, Black	\$58.45	●
L-XSQR72-SC-1	72" (1.8 m) Square Extrusion, Satin Clear	\$36.75	●
L-XSQR72-**-1	72" (1.8 m) Square Extrusion, Other Finishes	\$57.40	●
L-XFL72-SC-1	72" (1.8 m) Flush Extrusion, Satin Clear with Milk Diffuser	\$52.85	●
L-XFL94-SC-1	94" (2.4 m) Flush Extrusion, Satin Clear with Milk Diffuser	\$68.60	●

**Insert BL for Black, DC for Dark Cherry, NSM for Natural Soft Maple



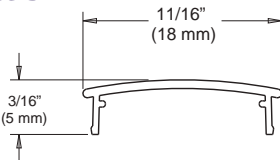
● Power Supplies



For details see Power Supplies on Page 470.

Infinex works with all Tresco® 12VDC and 24VDC power supplies.

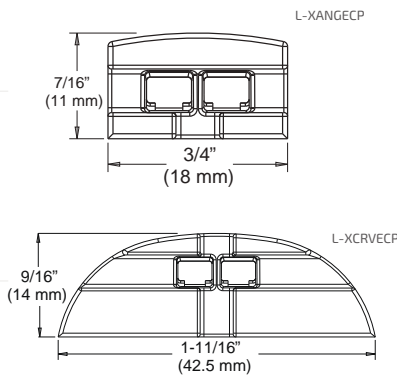
● Diffusers



Part #	Description	SLP 72"	SLP 94"
L-X**-DIFF-CL-1	Diffuser, Clear	\$16.60	\$21.70
L-X**-DIFF-FR-1	Diffuser, Frosted	\$16.60	\$21.70
L-X**-DIFF-MLK-1	Diffuser, Milk	\$18.45	\$24.05

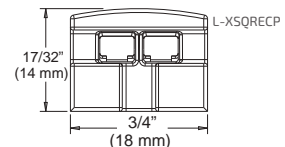
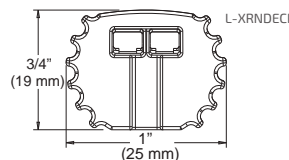
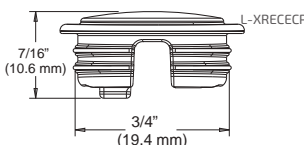
**Insert 72 for 72" (1.8 m) length, or 94 for 94" (2.4 m) length

● End Cap Sets

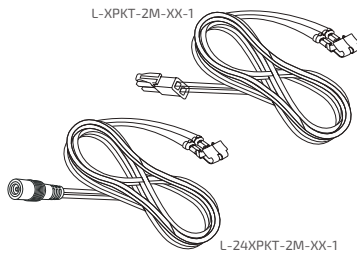


Part #	Description	SLP
L-XANGECP-GY-1	Angled end cap set, Gray	\$3.60
L-XANGECP-**-1	Angled end cap set, Other Colors	\$4.20
L-XCRVECP-GY-1	Curved end cap set, Gray	\$3.60
L-XCRVECP-**-1	Curved end cap set, Other Colors	\$4.20
L-XRECECP-GY-1	Recessed end cap set, Gray	\$3.60
L-XRECECP-BL-1	Recessed end cap set, Black	\$4.20
L-XRNDCECP-GY-1	Round end cap set, Gray	\$4.20
L-XRNDCECP-BL-1	Round end cap set, Black	\$4.20
L-XSQRECP-GY-1	Square end cap set, Gray	\$3.60
L-XSQRECP-**-1	Square end cap set, Other Colors	\$4.20

**Insert BL for Black, B1 for Dark Brown, B2 for Tan
 Flush extrusion does not take end caps.



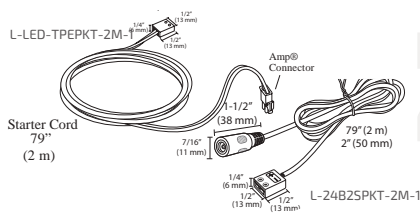
● **12/24VDC Infinex Starter Cords**



Part #	Description	SLP
L-XPKT-2M-BL-1	12VDC 79" (2 m) Infinex Starter Cord, Black	\$10.70
L-XPKT-2IN-BL-1	12VDC 2" (50 mm) Infinex Starter Cord, Black	\$5.00
L-XPKT-2M-WH-1	12VDC 79" (2 m) Infinex Starter Cord, White	\$10.70
L-XPKT-2IN-WH-1	24VDC 2" (50 mm) Infinex Starter Cord, White	\$5.00
L-24XPKT-2M-BL-1	24VDC 79" (2 m) Infinex Starter Cord, Black	\$10.70
L-24XPKT-2M-WH-1	24VDC 2" (50 mm) Infinex Starter Cord, White	\$10.70

To be used with square, curved, round and angled extrusions only.

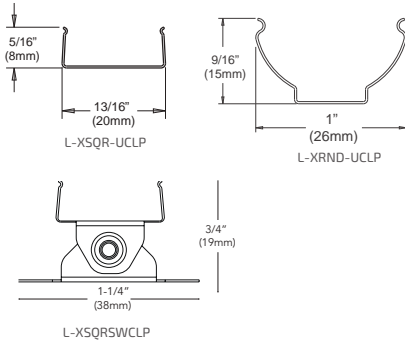
● **12/24VDC Standard FlexTape® Starter Cords**



Part #	Description	SLP
L-LED-TPEPKT-2M-1	12VDC 79" (2 m) FlexTape® Straight Starter Lead	\$10.95
L-TPEPKT-2IN-1	12VDC 2" (50 mm) FlexTape® Straight Starter Lead	\$7.70
L-24B2SPKT-2M-1	24VDC 2 m (79") FlexTape® Barrel/2 Screw Trml Starter Lead, White	\$17.10

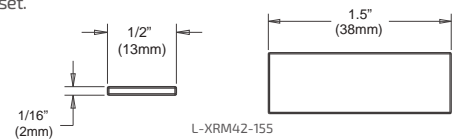
Recessed and Flush extrusions uses standard FlexTape® starter lead.

● **U-Clips/Magnets**

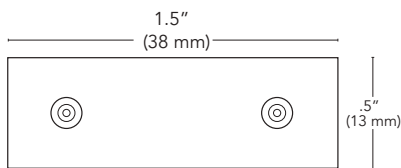


Part #	Description	SLP
L-XRND-UCLP-1	Round U-Clips Set (2 Clips)	\$2.55
L-XSQR-UCLP-1	Square/Curved U-Clips Set (2 Clips)	\$2.55
L-XSQRSWCLP-1	Square/Curved Swivel Clips Set (2 Clips)	\$4.65
L-XRM42-155-1	Set of 2 Magnets	\$5.60
L-EXTMP-VHB-1	Set of 2 Mounting Plates	\$6.00

One U-Clip/magnet is recommended for every 1 ft. (.3 m) of extrusion. No. #4 Phillips flat head screws are included with each U-Clip set. Mounting Plates to be used with magnet mounted Infinex.



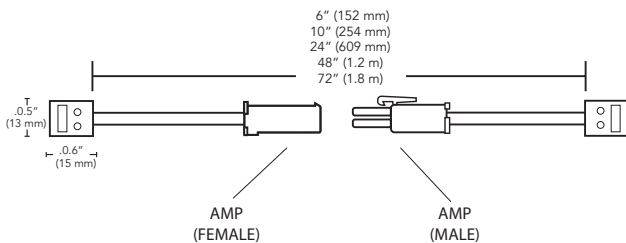
● **Couplers**



Part #	Description	SLP
L-EXTBTB10-1	Pack of 10 Couplers	\$20.60

To be used on square and curved extrusions only.

● **12/24VDC Linking Cords**



Part #	Description	SLP
L-XLTK-15-**-1	12/24VDC 6" (15 cm) Infinex Linking Cord	\$11.25
L-XLTK-25-**-1	12/24VDC 10" (25 cm) Infinex Linking Cord	\$11.75
L-XLTK-60-**-1	12/24VDC 24" (60 cm) Infinex Linking Cord	\$13.30
L-XLTK-120-**-1	12/24VDC 48" (120 cm) Infinex Linking Cord	\$14.70
L-XLTK-180-**-1	12/24VDC 72" (180 cm) Infinex Linking Cord	\$16.70

** Insert BL for Black and WH for White

End Caps not used on linked extrusion ends.




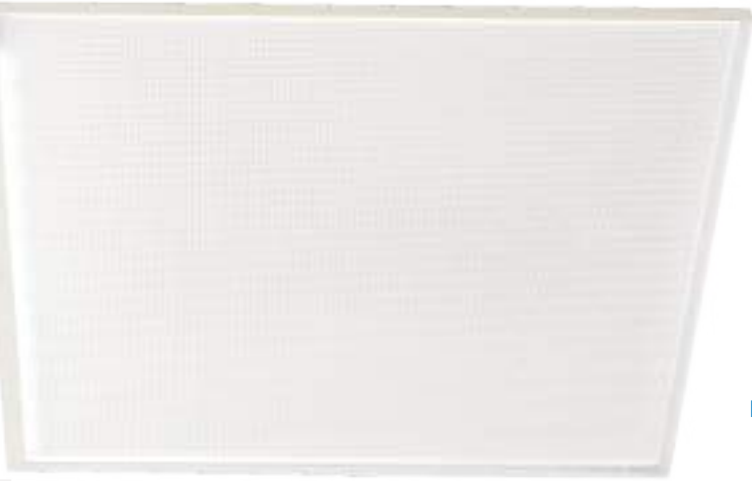
COMPONENTS: POWER SUPPLIES, CONTROLLERS & MORE SEE PAGE 470.



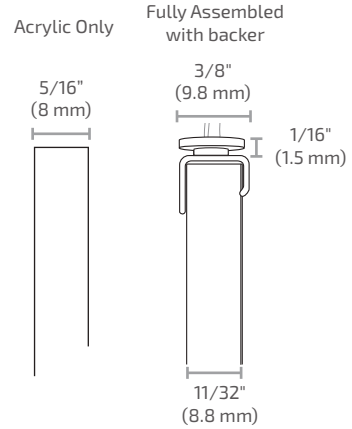
12VDC

Etch panels provide the perfect solution for commercial and residential backlighting and shelf lighting applications with high light output, uniform intensity and minimal separation between the LED panel and the illuminated material. Order it fully constructed or pre-etched panels only.

US PATENT NO: 10,113,708 and 10,473,305

Dimensions:

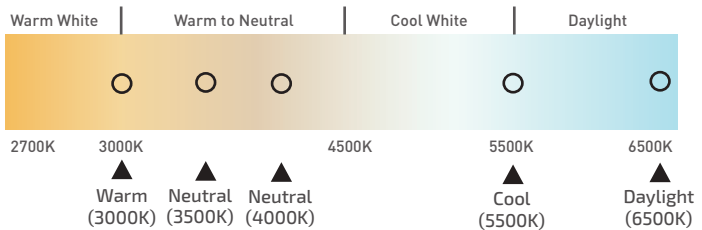


Thicknesses are subject to the industry standard of +/-10% for acrylic

Specifications:

Wattage	Lumens	Input Voltage	Diode Life	Mounting	Minimum Size	Maximum Size	Environment	Warranty
5W/ft. (16.4W/m) Per LED populated edge of panel	100 per watt	12VDC	50,000 Hours	Surface	4" x 4" (102 mm x 102 mm)	48" x 96" (1219 mm x 2438 mm)	Dry and damp locations only	3 Year

Color Temperature



(Custom color with minimum order)

Etch



Unique patented edge-lighting and LED process provides high output with even illumination



Made in the USA at Tresco's manufacturing facility in Louisville, KY



Requires zero separation between the light panel and the backlit surface

Specifications by Size

Size	LED Strip	Wattage	Wire Exits
6" x 6" (152 mm x 152 mm)	1 Edge	2.5W	1
12" x 12" (305 mm x 305 mm)	1 Edge	5W	1
24" x 24" (610 mm x 610 mm)	2 or 4 Edges	20W/40W	1
36" x 36" (915 mm x 915 mm)	2 or 4 Edges	30W/60W	2
48" x 48" (1219 mm x 1219 mm)	2 or 4 Edges	40W/80W	2
48" x 96" (1219 mm x 2438 mm)	2 Edges	60W	2

How to Select Number of LED Edges

One Edge



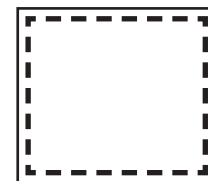
Panel width up to 15" (381 mm)

Two Edges



Panel width over 15" (381 mm)

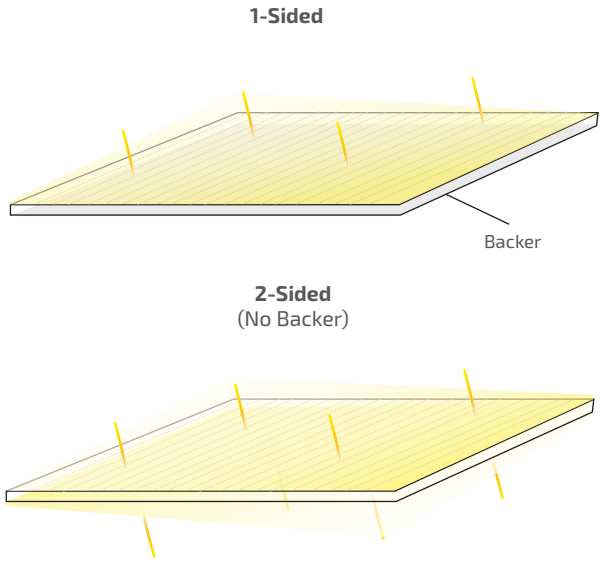
All Edges



Typically used for perfect squares and larger sizes.

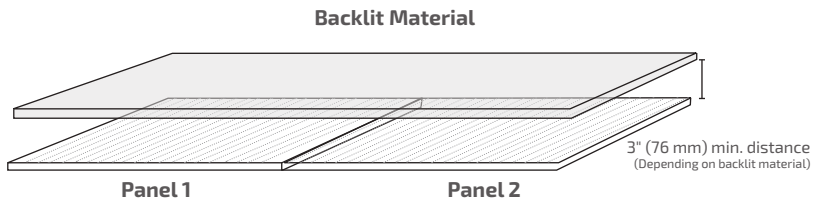
Etch

1 or 2 Sided Illumination



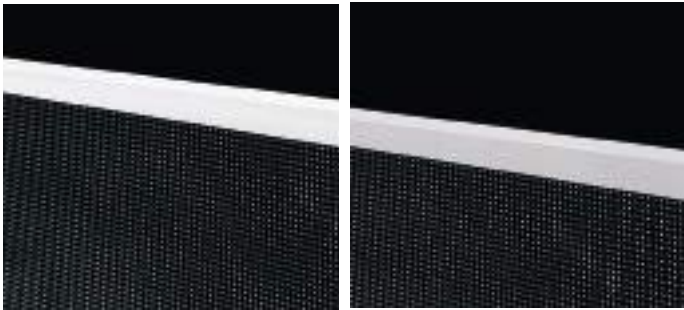
Minimize Seams When Tiling

Minimum distance to minimize seams between material and Etch panels.



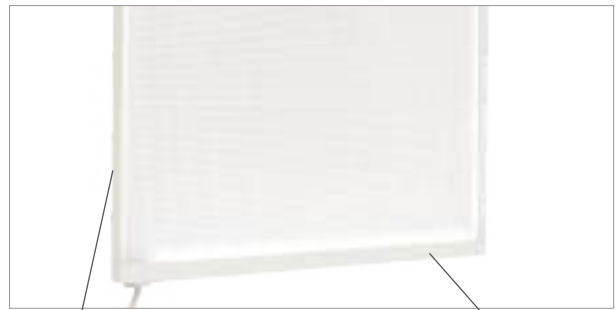
Cosmetic Tape Color

The cosmetic tape hides the LEDs and reflects light back into the panel. Cosmetic tape overlaps the face of the panel only along the LED edge. On all edges without LEDs, the cosmetic tape only runs along the edge of the panel.



White

Silver



Flush with side

Covers LEDs on LED edge

Decorative Diffusers

Decorative diffusers are an optional addition for one illuminated side of panel. They are useful for both diffusing the light emitted from the panel and for their unique aesthetic designs. Common applications are for decorative shelving and facades.

Rigid White/Milk up to 96" x 48" (2438 mm x 1912 mm)

Decorative film up to 72" x 24" (1829 mm x 610 mm)



RIGID WHITE/MILK

2.5 MM HEXAGON PATTERN

10 MM HEXAGON PATTERN

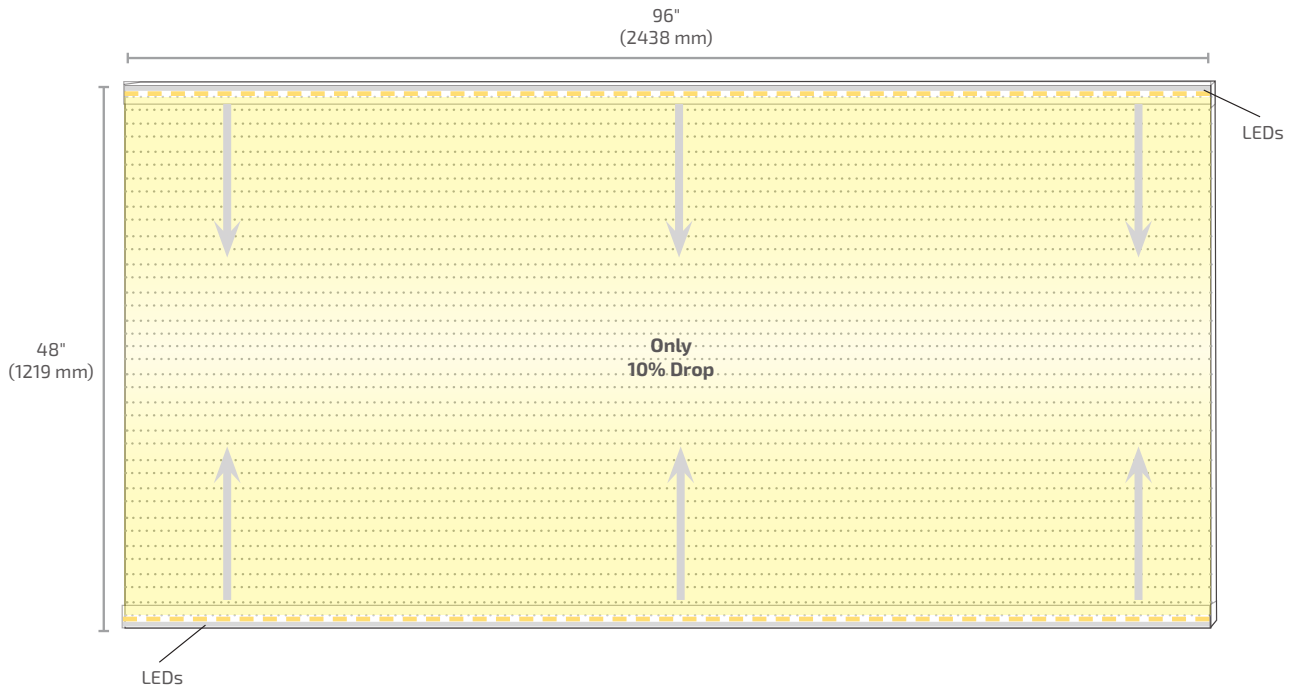
TRI-PYRAMID PATTERN

TRIPLE WAVE PATTERN

*Rigid diffuser available up to 96" x 48" (2438 mm x 1912 mm). Available in White/Milk only.

Typical Surface Brightness Measure

Only 10% drop in surface illuminance from edge of panel to center (based on largest panel size).



BUILD YOUR OWN

Choose our Build Your Own Program, featuring pre-etched acrylic panels and pre-soldered LED tapes in (5) color temperatures in (4) lengths up to 96" (2438 mm), for the perfect Do-It-Yourself LED panel. Simply purchase your preferred Etch size and tape color temperature and install in your own frame.

Etched Panels Only - to be cut down to size

Part #	Description
L-ACR6M-4X8-1	96" X 48"* (2438 mm x 1219 mm) 6 mm Etched Acrylic
L-ACR8M-4X8-1	96" X 48"* (2438 mm x 1219 mm) 8 mm Etched Acrylic
L-ACR6M-4X4-1	48" X 48"* (2438 mm x 1219 mm) 6 mm Etched Acrylic
L-ACR8M-4X4-1	48" X 48"* (1219 mm x 1219 mm) 8 mm Etched Acrylic
L-ACR6M-2X2-1	24" X 24" (610 mm x 610 mm) 6 mm Etched Acrylic
L-ACR8M-2X2-1	24" X 24" (610 mm x 610 mm) 8 mm Etched Acrylic
L-ACR6M-1X1-1	12" X 12" (305 mm x 305 mm) 6 mm Etched Acrylic
L-ACR8M-1X1-1	12" X 12" (305 mm x 305 mm) 8 mm Etched Acrylic

*Standard dot pattern optimized for up to 24" (610 mm) width with LEDs on 2 edges
 Thicknesses are subject to the industry standard of +/-10 % for acrylic

Note: Pre-etched panels are optimized for up to 24" (610 mm) with LED on (2) edges. Use (1) edge LED strip for 15" (381 mm) width and under. For widths greater than 24" (610 mm) call for custom options.

Tape LED for Pre-Etched Panels


Part #	Description	SLP
L-TPE6-12IN-**K-1	12" (305 mm) 5.5W/ft, 6 mm Pre-Soldered Tape LED w/ 79" (2 m) White input Lead	\$20.65
L-TPE6-24IN-**K-1	24" (610 mm) 5.5W/ft, 6 mm Pre-Soldered Tape LED w/ 79" (2 m) White input Lead	\$31.60
L-TPE6-48IN-**K-1	48" (1219 mm) 5.5W/ft, 6 mm Pre-Soldered Tape LED w/ 79" (2 m) White input Lead	\$53.65
L-TPE6-96IN-**K-1	96" (2438 mm) 5.5W/ft, 6 mm Pre-Soldered Tape LED w/ 79" (2 m) White input Lead	\$97.55

** = color temperature (30 for 3000K, 35 for 3500K, 40 for 4000K, 55 for 5500K, 65 for 6500K)
 *Custom wire lead available upon request

Snap

24VDC

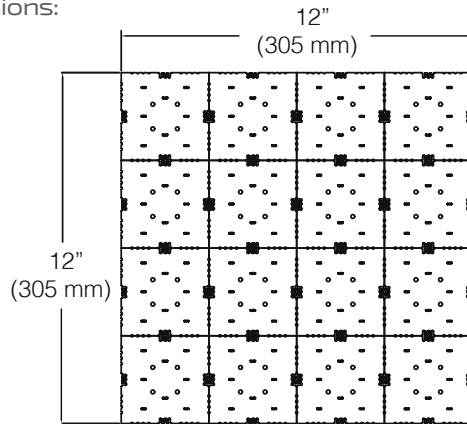


Standard: 8W/ft² High: 15W/ft²	Standard: 900 Lumens High: 1670 Lumens	 120°
---	---	--


Customized lighting solutions are just a "snap" away with the Snap Panels. Sold in 12" x 12" (305 mm x 305 mm) squares, the razor-thin panels can be snapped down to 3" x 3" (76 mm x 76 mm) squares and connected back into any configuration, creating the perfect solution with complete light uniformity.

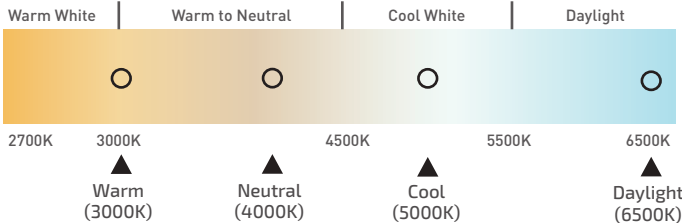


Dimensions:

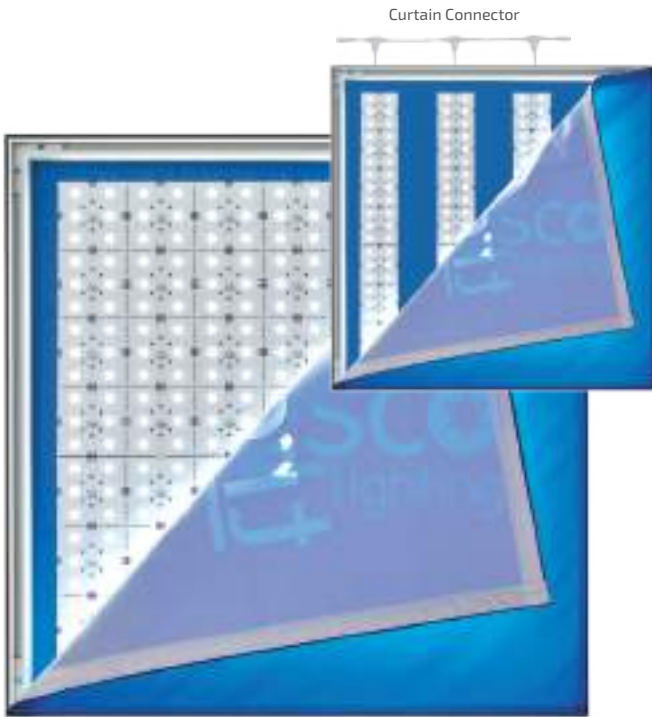


Specifications:

Wattage	Lumens	Efficacy (lm/W)	Input Voltage	Diode Life	Max Per 96W Power Supply	Mounting	Warranty	Beam Angle
8W/ft ² (.5W per 3" square)	900	112	24VDC	50,000 Hours	12ft ²	Surface	5 Year	
15W/ft ² (.94W per 3" square)	1670	111			6.4ft ²			

Photometric Data				Color Temperature			
Height	Standard	High					
2 in (5 cm)	10,202Fc (109,813lx)	18,995Fc (204,460lx)					
4 in (10 cm)	2,708Fc (29,148lx)	5,401Fc (54,260lx)					
6 in (15 cm)	1179Fc (12,690lx)	2,196Fc (23,637lx)					
1 ft (.3 m)	295Fc (3,175lx)	549Fc (5,909lx)					
3 ft (.9 m)	33Fc (353lx)	61Fc (656lx)					
6 ft (1.8 m)	8Fc (88lx)	15Fc (163lx)					

L-SP8WA-50K-1 (Standard), L-SP15WA-50K-1 (High) Tested



Just 2" (51 mm) of separation on average required between Snap and backlit surfaces. (8W or 15W)

OR Just 4" (102 mm) of separation required between Snap and backlit surfaces when strips are spaced 3" (76 mm) apart. (15W only)

Curtain connectors can be used to create rows (L-SP3TCS-1 and L-SP6TCS-1).

Mounting

Adhesive mount clips and screws are included with each panel for mounting purposes.



Linking

Panel squares are tileable using our simple DIY connectors (no soldering necessary)

L-SP90BTB4-1



90-Degree Back-to-Back Link



Back to Back Link
L-SPBTB10-1



Link Cord
L-SPLNK8-1
L-SPLNK25-1
L-SPLNK60-1
L-SPLNK120-1

Snap



Sold as 12" x 12" (305 mm x 305 mm) panels with (16) 3" x 3" (76 mm x 76 mm) snappable squares on each panel

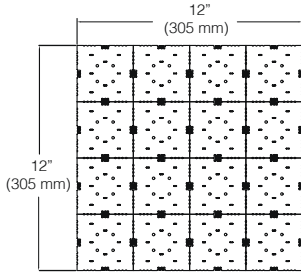


Great for backlighting translucent countertops

Applications



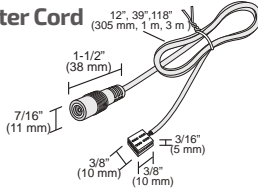
24VDC Light Panel



Part #	Description	SPL
L-SP8WA-30K-1	24VDC 8W 12" (305 mm) 3000K Square Snap Panel	\$141.70
L-SP8WA-40K-1	24VDC 8W 12" (305 mm) 4000K Square Snap Panel	\$141.70
L-SP8WA-50K-1	24VDC 8W 12" (305 mm) 5000K Square Snap Panel	\$141.70
L-SP8WA-65K-1	24VDC 8W 12" (305 mm) 6500K Square Snap Panel	\$141.70
L-SP15WA-30K-1	24VDC 15W 12" (305 mm) 3000K Square Snap Panel	\$141.70
L-SP15WA-40K-1	24VDC 15W 12" (305 mm) 4000K Square Snap Panel	\$141.70
L-SP15WA-50K-1	24VDC 15W 12" (305 mm) 5000K Square Snap Panel	\$141.70
L-SP15WA-65K-1	24VDC 15W 12" (305 mm) 6500K Square Snap Panel	\$141.70

Mounting clips and screws included. Starter cords sold separately.

24VDC Starter Cord



Part #	Description	SLP
L-SPPKT-305MM-1	24VDC 305 mm (12") Snap Panel Starter Lead	\$6.15
L-SPPKT-1M-1	24VDC 1 m (39") Snap Panel Starter Lead	\$8.85
L-SPPKT-3M-1	24VDC 3 m (118") Snap Panel Starter Lead	\$18.00

24VDC Power Supplies

For details see
Power Supplies on
Page 470.

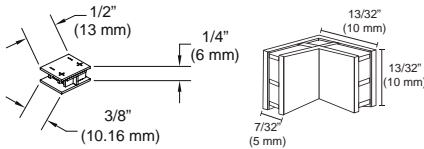
Part #	Description	SLP
L-24DCELT96-1	24VDC 96W Power Supply w/ 5 Barrel Out, White†	\$186.20
L-24DCELT48-BL-1	24VDC 48W Power Supply w/ 5 Barrel Out, Black†	\$147.95
L-24DCELT15WP-1	24VDC 15W Wall Mount Power Supply w/ Snap Connector*†	\$58.80
L-24DCH96X1-1	24VDC 96W Dimmable Hardwire Power Supply*§	\$298.40
L-24DCH96X3-1	24VDC 288W Dimmable Hardwire Power Supply*§	\$561.65
L-1BRL5-1	Extra 5 Output Barrel Splice	\$19.15

*Does not come with 5 Output Barrel Splice

†Dimmable on trailing edge (24VDC side)

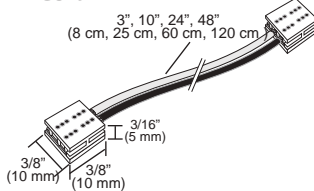
§Dimmable by LED line voltage (120V) wall dimmers

Snap Connectors



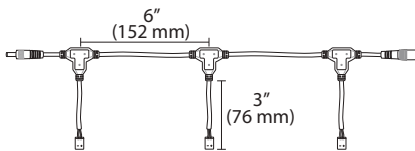
Part #	Description	SLP
L-SPBTB10-1	Snap Panel Back-to-Back Links (10 pcs)	\$9.80
L-SP90BTB4-1	Snap Panel 90° Back-to-Back Link (4 pcs)	\$16.95

Snap Link Cord



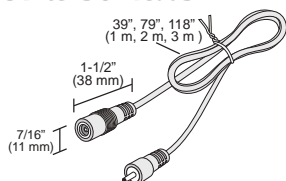
Part #	Description	SLP
L-SPLNK8-1	3" (8 cm) Snap Panel Link Cord	\$3.00
L-SPLNK25-1	10" (25 cm) Snap Panel Link Cord	\$6.40
L-SPLNK60-1	24" (60 cm) Snap Panel Link Cord	\$10.60
L-SPLNK120-1	48" (120 cm) Snap Panel Link Cord	\$17.50

24VDC Curtain Connectors



Part #	Description	SLP
L-SP3TCS-1	Three Way Curtain Starter Lead	\$30.65
L-SP6TCS-1	Six Way Curtain Starter Lead	\$55.95

24VDC Extension Leads




Part #	Description	SLP
L-24BBEXT-1M-1	24VDC 1 m (39") ML/FML Barrel Extension, White	\$8.50
L-24BBEXT-2M-1	24VDC 2 m (79") ML/FML Barrel Extension, White	\$12.50
L-24BBEXT-3M-1	24VDC 3 m (119") ML/FML Barrel Extension, White	\$17.10

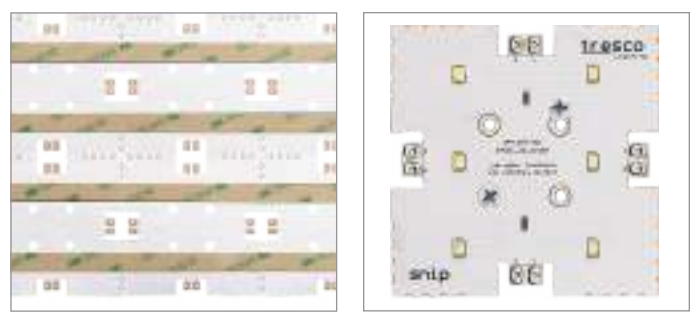


Snip

24VDC

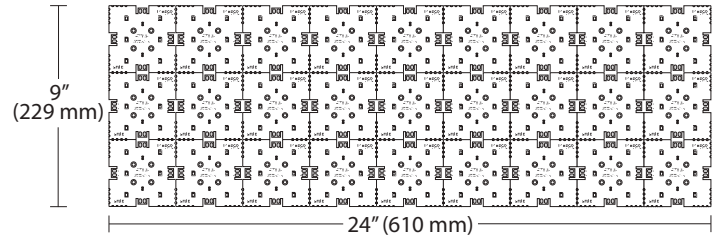
Standard: Full Sheet: 12W 8W/ft² High: Full Sheet: 22.5W 15W/ft²	Standard: Full Sheet: 1148 Lumens 765 lm/ft² High: Full Sheet: 2067 Lumens 1378 lm/ft²	
---	---	---


Paper-thin illumination, Snip panels have the flexibility to conform to curved surfaces and wrap around objects for continuous even illumination. Sold in 24" x 9" (610 mm x 229 mm) panels, the extremely lightweight LED sheets can be snipped into 3" x 3" (76 mm x 76 mm) squares and re-connected into any custom configuration; a versatile lighting solution for unique applications.

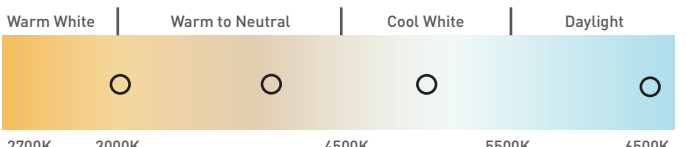
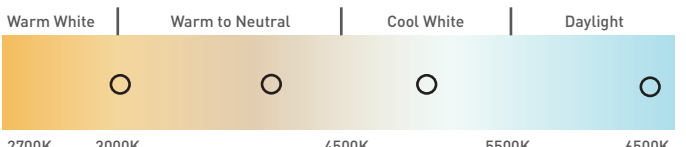
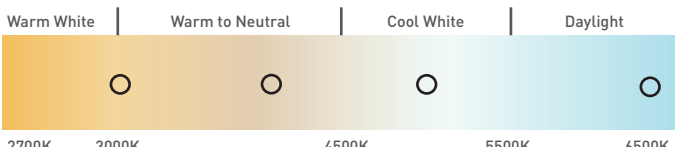
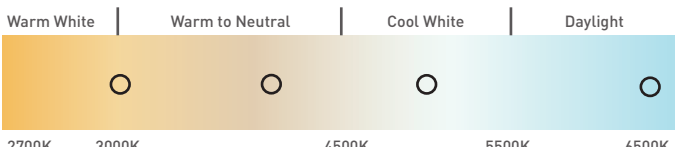


Strong 300 LSE 3M™ adhesive or screw mounting options available

Dimensions:

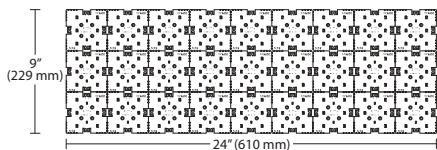


Wattage	Lumens	Efficacy (lm/W)	Input Voltage	Diode Life	CRI	Max Per 96W Power Supply	Mounting	Warranty	Beam Angle
Full Sheet: 12W 8W/ft ² (.5W per 3" square)	Full Sheet: 1148 765/ft ²	95.7	24VDC	50,000 Hours	>93	12ft ²	Surface	5 Year	
Full Sheet: 22.5W 15W/ft ² (.94W per 3" square)	Full Sheet: 2067 1378/ft ²	91.9			>93	6.4ft ²			

Photometric Data				Color Temperature			
Height	Light Output Standard/High	Beam Area	Warm White	Warm to Neutral	Cool White	Daylight	
1ft (.3m)	381Fc / 686Fc (4102lx) / (7384lx)	3.3ft L x 3.2ft W (1 m L x .91 m W)					
3ft (.9m)	42.3Fc / 76.2Fc (455.3lx) / (820.2lx)	10ft L x 9.6ft W (3 m L x 3 m W)					
6ft (1.8m)	10.6Fc / 19.1Fc (114.1lx) / (205.6lx)	20ft L x 19.2ft W (6.2 m L x 6 m W)					

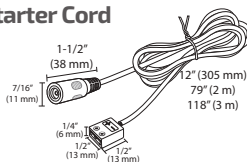
L-SPFL8WA-50K-1 / L-SPFL15WA-50K-1 Tested

● 24VDC Light Panel



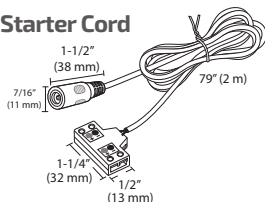
Part #	Description	SLP
L-SPFL8WA-30K-1	24VDC 8W/SQFT 1.5SQFT 3000K Snip Panel	\$190.20
L-SPFL8WA-40K-1	24VDC 8W/SQFT 1.5SQFT 4000K Snip Panel	\$190.20
L-SPFL8WA-50K-1	24VDC 8W/SQFT 1.5SQFT 5000K Snip Panel	\$190.20
L-SPFL8WA-65K-1	24VDC 8W/SQFT 1.5SQFT 6500K Snip Panel	\$190.20
L-SPFL15WA-30K-1	24VDC 15W/SQFT 1.5SQFT 3000K Snip Panel	\$190.20
L-SPFL15WA-40K-1	24VDC 15W/SQFT 1.5SQFT 4000K Snip Panel	\$190.20
L-SPFL15WA-50K-1	24VDC 15W/SQFT 1.5SQFT 5000K Snip Panel	\$190.20
L-SPFL15WA-65K-1	24VDC 15W/SQFT 1.5SQFT 6500K Snip Panel	\$190.20

● 24VDC Starter Cord



Part #	Description	SLP
L-24B2SPKT-305MM-1	24VDC 305 mm (12") Barrel/2 Screw Trml Starter Lead, White	\$13.25
L-24B2SPKT-2M-1	24VDC 2 m (79") Barrel/2 Screw Trml Starter Lead, White	\$17.10
L-24B2SPKT-3M-1	24VDC 3 m (118") Barrel/2 Screw Trml Starter Lead, White	\$25.10

● 24VDC Tee Starter Cord



Part #	Description	SLP
L-24B2SPKT-2M-TEE-1	24VDC 2 m (79") Barrel/2 Screw Trml Tee Starter Lead, White	\$22.75

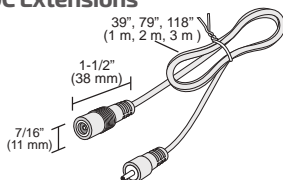
● 24VDC Power Supplies



Part #	Description	SLP
L-24DCELT96-1	24VDC 96W Power Supply w/ 5 Barrel Out, White†	\$186.20
L-24DCELT48-BL-1	24VDC 48W Power Supply w/ 5 Barrel Out, Black†	\$147.95
L-24DCELT15WP-1	24VDC 15W Wall Mount Power Supply w/ Snap Connector*†	\$58.80
L-24DCH96X1-1	24VDC 96W Dimmable Hardwire Power Supply*§	\$298.40
L-24DCH96X3-1	24VDC 288W Dimmable Hardwire Power Supply*§	\$561.65
L-1BRL5-1	Extra 5 Output Barrel Splice, White	\$19.15

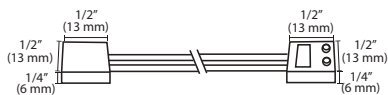
*Does not come with 5 Output Barrel Splice
 †Dimmable on trailing edge (24VDC side)
 §Dimmable by LED line voltage (120V) wall dimmers

● 24VDC Extensions



Part #	Description	SLP
L-24BBEXT-1M-1	24VDC 1 m (39") ML/FML Barrel Extension, White	\$8.50
L-24BBEXT-2M-1	24VDC 2 m (79") ML/FML Barrel Extension, White	\$12.50
L-24BBEXT-3M-1	24VDC 3 m (118") ML/FML Barrel Extension, White	\$17.10

● 12/24VDC Link Cord

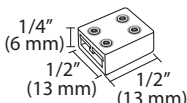


Positive and negative contacts on FlexTape® and FlexConnects should match-up to maintain proper polarity.

Part #	Description	SLP
L-LED-TPELNK-5-1	12/24VDC 5 cm (2") FlexTape® Link Cord	\$5.45
L-LED-TPELNK-15-1	12/24VDC 15 cm (6") FlexTape® Link Cord	\$5.45
L-LED-TPELNK-25-1	12/24VDC 25 cm (10") FlexTape® Link Cord	\$8.20
L-LED-TPELNK-60-1	12/24VDC 60 cm (24") FlexTape® Link Cord	\$8.20
L-LED-TPELNK-120-1	12/24VDC 120 cm (48") FlexTape® Link Cord	\$8.20
L-LED-TPELNK-180-1	12/24VDC 180 cm (72") FlexTape® Link Cord	\$8.20

Link cords are used for both Snip and single color FlexTape®

● 12/24VDC Back-to-Back Connector

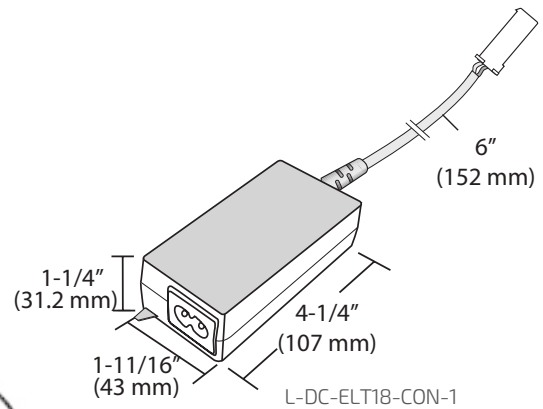


Part #	Description	SLP
L-XSBTB-1	12/24VDC 10 mm, 2 Position Back-to-Back Connector, Clear	\$4.10

Power Supplies

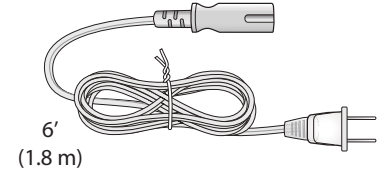
All product dimensions and specifications are subject to change without prior notice.

12VDC Commercial Plug-in Power Supplies



Cord

Hole Size, if Needed:
5/8" (16 mm)



Mounting Block



Features:

12VDC constant voltage output

Short circuit protection*

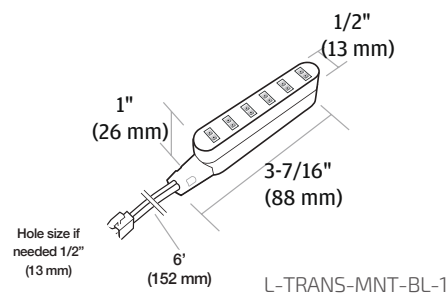
Overcurrent protection

Overload protection*

RFI protection

Dimmable on trailing edge (12VDC side)

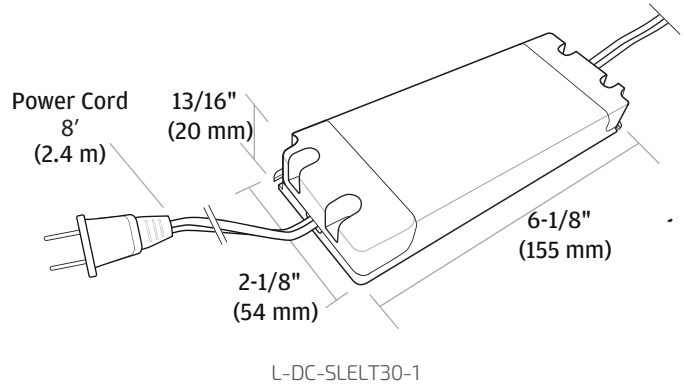
* Automatic reset (no fuses)



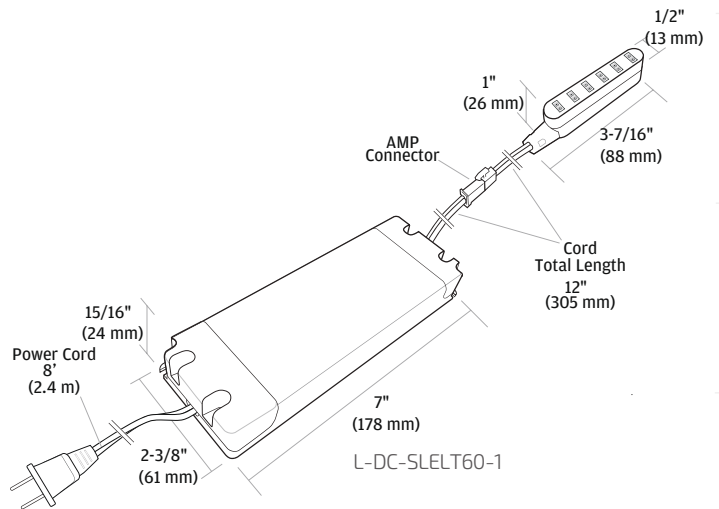
- ✓ Compatible with all Tresco® low voltage dimmers
- ✗ NOT compatible with hardwire wall dimmers

Part #	Description	SLP
L-DC-ELT18-CON-1	12VDC 18W Power Supply w/6 Snap Mounting Block	\$73.20
L-TRANS-MNT-BL-1	Extra 6 Snap Mounting Block	\$11.85

30W 12VDC
100V - 277V



60W 12VDC
100V - 277V



Features:

- Slim design, under 1" height
- (2) configurations: 30W or 60W
- 12VDC constant voltage output
- High power factor (Pf > .95)
- Short circuit protection*
- Overcurrent protection
- Overload protection*
- RFI protection
- Dimmable on trailing edge (12VDC side)
- Class 2



✓ Compatible with all Tresco low voltage dimmers
 ✗ NOT compatible with hardwire wall dimmers

Part #	Description	SLP
L-DC-SLELT30-1	12VDC 30W Power Supply w/6 Snap Mounting Block	\$97.45
L-DC-SLELT60-1	12VDC 60W Power Supply w/6 Snap Mounting Block	\$126.15
L-TRANS-MNT-BL-1	Extra 6-Snap Mounting Block	\$11.85

* Automatic reset (no fuses)

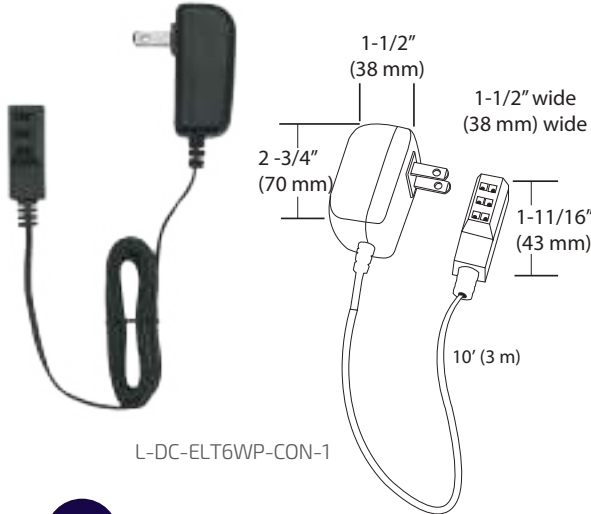


SCAN FOR PRICING!

Economy Series

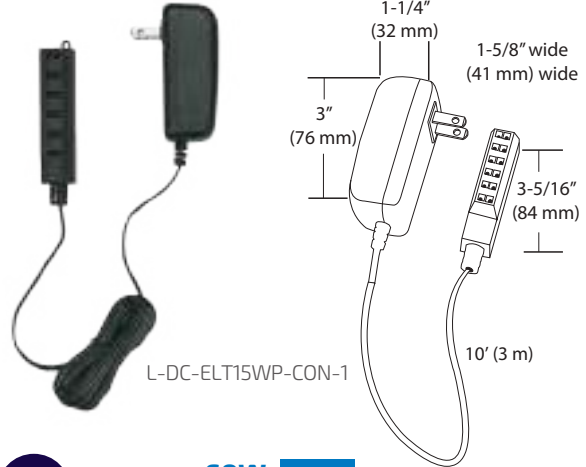
12VDC EquiLine Plug-in Power Supplies

6W 12VDC
100V - 240V



L-DC-ELT6WP-CON-1

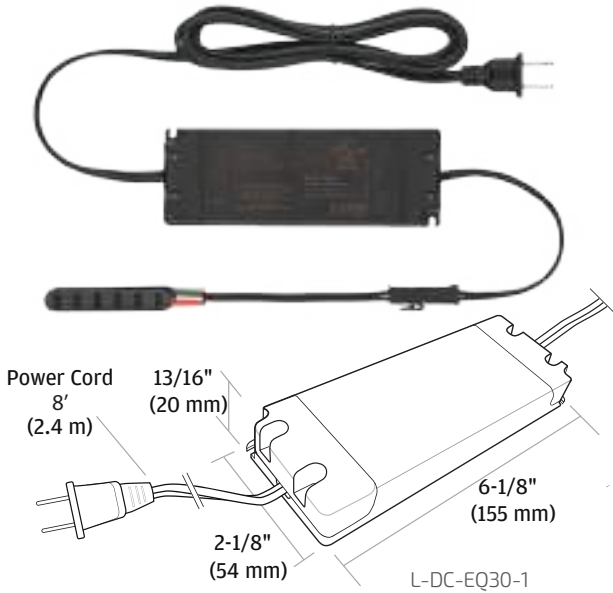
15W 12VDC
100V - 240V



L-DC-ELT15WP-CON-1

NEW!

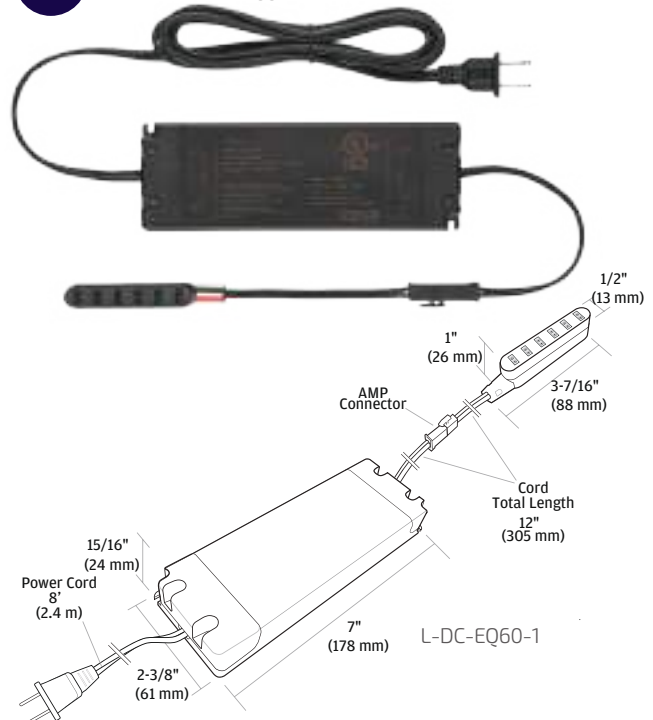
30W 12VDC
100V - 277V



L-DC-EQ30-1

NEW!

60W 12VDC
100V - 277V



L-DC-EQ60-1



✓ Compatible with all Tresco® low voltage dimmers
 ✗ NOT compatible with hardwire wall dimmers

Part #	Description	SLP
L-DC-ELT6WP-CON-1	12VDC 6W Wall Mount Power Supply w/3 Snap Block	\$32.35
L-DC-ELT15WP-CON-1	12VDC 15W Wall Mount Power Supply w/6 Snap Block	\$41.75
L-DC-EQ30-1	12VDC 30W EquiLine Power Supply w/6 Snap Block	\$68.00
L-DC-EQ60-1	12VDC 60W EquiLine Power Supply w/6 Snap Block	\$87.05
L-TRANS-MNT-BL-1	Extra 6-Snap Mounting Block	\$11.85

*Automatic Reset (no fuses)

Features:

- (4) Configurations: 6-60 Watt
- 12VDC constant voltage output
- Short circuit protection*
- Overload protection*
- RFI Protection
- Dimmable on trailing edge (12VDC side)
- Class 2
- 2-Year warranty

Waste
Blind Corner
Sink
Base
Tall
Drawer
Wall
Vanity
Closet
Lazy Susan

LED Lighting

12VDC Commercial Wall Dimmable Hardwire Power Supplies



SCAN FOR PRICING!

30W 12VDC
100V - 277V

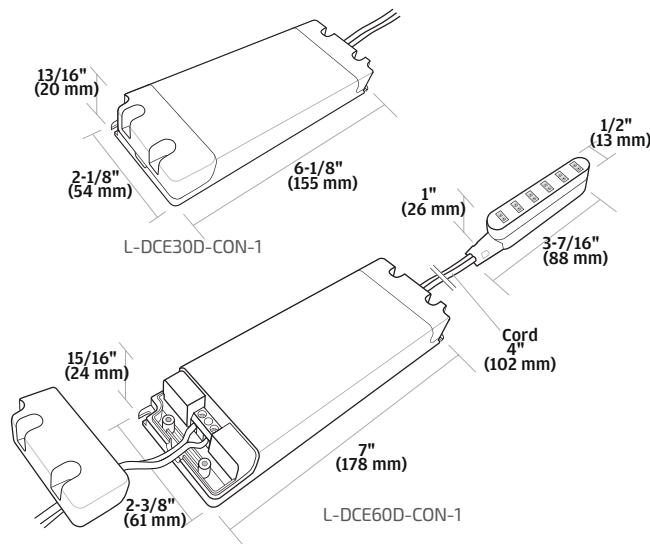


60W 12VDC
100V - 277V



Features:

- Under 1" height
- (2) configurations: 30W or 60W
- 12VDC constant voltage output
- High power factor (Pf > .95)
- Dimmable by standard LED wall dimmers
- Continuous smooth dimming
- Wire directly into unit
- Electronic units are lower profile and generate less heat than magnetic transformers
- Quiet operation
- Works with all Tresco® 12VDC dimmable LED fixtures
- One 6-snap mounting block included
- RFI Protection
- Class 2 with short circuit and automatic reset



- ✓ Compatible with all Tresco® low voltage dimmers
- ✓ Compatible with hardwired LED wall dimmers

Class 2

Part #	Description	SLP
L-DCE30D-CON-1	12VDC 30W Hardwire Dimmable LED Power Supply	\$126.00
L-DCE60D-CON-1	12VDC 60W Hardwire Dimmable LED Power Supply	\$200.20
L-TRANS-MNT-BL-1	Extra 6-Snap Mounting Block	\$11.85

Compatible Tresco Wall Dimmers (page 485).



Dimmable by LED compatible line voltage (120V) wall dimmers. Mounting block included. Requires electrician to install.

Waste
Blind Corner
Sink
Base
Tall
Drawer
Wall
Vanity
Closet
Lazysusan

12VDC Industrial Wall Dimmable Hardwire Power Supplies

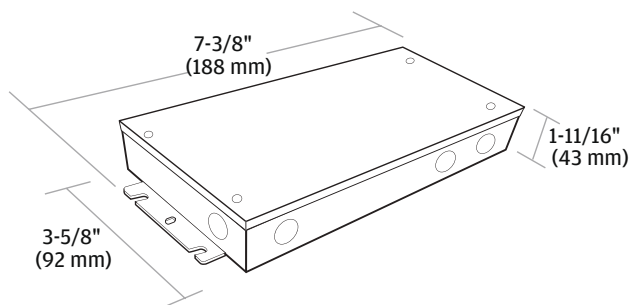
(1x 60W output)

60W 12VDC
100V - 277V

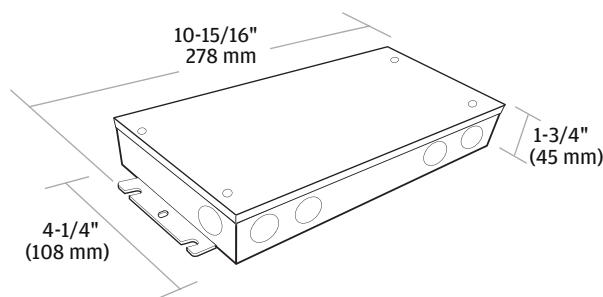


(3x 60W output)

180W 12VDC
100V - 277V



L-12DCH60X1-1



L-12DCH60X3-1



Features:

- Slim design, under 2" height
- (2) configurations: 60W or 180W
- 12VDC constant voltage output
- High power factor (Pf > .95)
- Built-in hardwire compartment
- All metal construction
- Short circuit protection*
- Overcurrent protection
- Overload protection*
- RFI protection
- Dimmable by standard LED wall dimmers
- Class 2

- ✓ Compatible with all Tresco® low voltage dimmers
- ✓ Compatible with hardwired LED wall dimmers

* Automatic reset (no fuses)

Part #	Description	SLP
L-12DCH60X1-1*	12VDC 60W Commercial/Industrial Metal Hardwire Dimmable Power Supply	\$200.45
L-12DCH60X3-1*	12VDC 180W Commercial/Industrial Metal Hardwire Dimmable Power Supply	\$440.75
L-TRANS-MNT-BL-1	Extra 6-Snap Mounting Block	\$11.85

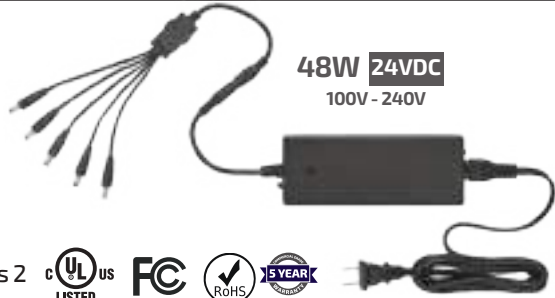
* Does not include 6-snap mounting block
Dimmable by LED line voltage (120V) wall dimmers. Mounting block not included
Requires electrician to install.

Compatible Tresco Wall Dimmers (page 477).

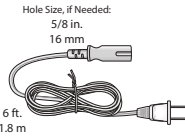


Waste
Blind Corner
Sink
Base
Tall
Drawer
Wall
Vanity
Closet
Susan
LED Lighting

24VDC Commercial Plug-in Power Supplies



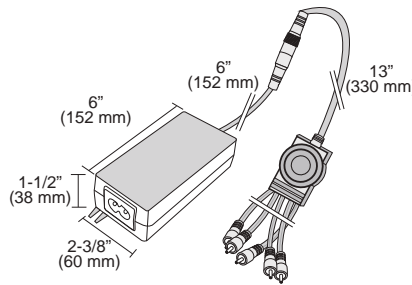
Class 2



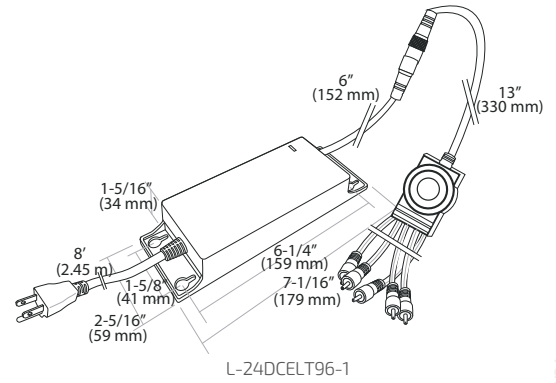
Features:

- Slim design, under 1.6" height
- 24VDC constant voltage output
- High power factor (Pf > .95) **96W only**
- (5) barrel output (included)
- Short circuit protection*
- Overcurrent protection
- Overload protection*
- RFI protection
- Dimmable on trailing edge (24VDC side)
- Class 2

* Automatic reset (no fuses)



L-24DCELT48-BL-1



L-24DCELT96-1

Compatible with all Tresco low voltage dimmers
NOT compatible with hardwire wall dimmers

Part #	Description	SLP
L-24DCELT48-BL-1	24VDC 48W Power Supply w/ 5 Barrel Out, Black	\$134.20
L-24DCELT96-1	24VDC 96W Power Supply w/ 5 Barrel Out - White	\$168.90
L-1BRL5-1	Extra 5 Output Barrel Splice	\$17.40

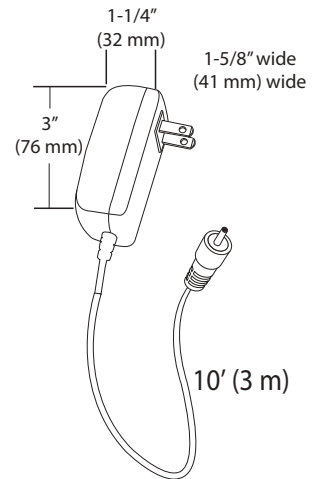
Economy Series 24VDC EquiLine Plug-in Power Supply

Features:

- 24VDC constant voltage output
- Fully enclosed wall mount plastic case
- Single barrel connector output
- Short circuit protection*
- Overcurrent protection
- Overload protection*
- RFI protection
- Dimmable on trailing edge (24VDC side)
- Class 2
- 2-Year warranty

*Automatic Reset (no fuses)

15W 24VDC
100V - 240V



Class 2

Part #	Description	SLP
L-24DCELT15WP-1	24VDC 15W Wall Mount Power Supply w/ barrel connector	\$58.80
L-1BRL5-1	Extra 5 Output Barrel Splice	\$19.15

Compatible with all Tresco low voltage dimmers
NOT compatible with hardwire wall dimmers

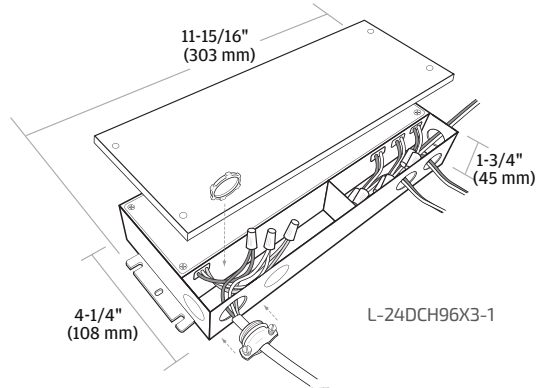
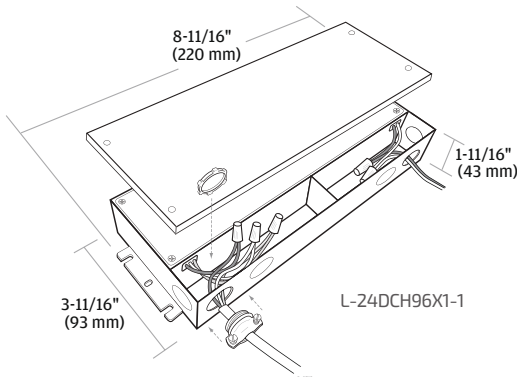
24VDC Industrial Wall Dimmable Hardwire Power Supplies

(1x 96W output)

96W 24VDC
100V - 277V

(3x 96W output)

288W 24VDC
100V - 277V



Features:

- Slim design, under 2" height
 - 24VDC constant voltage output
 - High power factor (PF>.95)
 - Built-in hardwire compartment
 - All metal construction
 - Short circuit protection*
 - Overcurrent protection
 - Overload protection*
 - RFI protection
 - Dimmable by standard LED wall dimmers
 - Class 2
- * Automatic reset (no fuses)



- ✓ Compatible with all Tresco® low voltage dimmers
- ✓ Compatible with hardwired LED wall dimmers

Part #	Description	SLP
L-24DCH96X1-1*	24VDC 96W Commercial/Industrial Metal Hardwire Dimmable Power Supply	\$298.40
L-24DCH96X3-1*	24VDC 288W Commercial/Industrial Metal Hardwire Dimmable Power Supply	\$561.65
L-1BRL5-1	Extra 5 Output Barrel Splice	\$19.15

*Does not include 5 Output Barrel.
Dimmable by LED line voltage (120V) wall dimmers.
Mounting block not included
Requires electrician to install.

Compatible Tresco Wall Dimmers (page 477).



120V LED Wall Dimmers

120V

Lutron Diva® C-L™ Dimmer



150W

Lutron Skylark Contour C-L™ Dimmer



150W

Leviton Decora® 300W LED Dimmer



300W

Lutron Diva® C-L™ Dimmer 150W

Large paddle switch with a captive linear-slide dimmer for a standard designer wall plate opening
 Switch returns light to preset light level
 Offers more reliable dimming performance over standard dimmers
 HED™ technology with advanced dimming circuitry designed for compatibility with most high-efficiency light bulbs
 Adjustment switch to modify the minimum light level in order to maximize the dimming range if flickering occurs at lower dimming levels

Lutron Skylark Contour C-L™ Dimmer 150W

On/off rocker switch with a captive linear-slide dimmer for a standard designer wallplate opening
 Switch returns light to preset light level
 Offers more reliable dimming performance over standard dimmers
 HED™ technology with advanced dimming circuitry designed for compatibility with most high-efficiency light bulbs
 Low-end adjustment dial

Leviton Decora® 300W

Large paddle switch with a captive linear-slide dimmer for a standard designer wall plate opening
 Packaged with White, Ivory and Light Almond color change kits
 Switch returns light to preset light level
 No neutral wire required for installation
 Adjustment switch to modify the minimum light level in order to maximize the dimming range if flickering occurs at lower dimming levels

Part #	Description	SLP
L-DVCL-153P-WH-1	150W Lutron Diva® C-L™ Dimmer w/out plate	\$101.50
L-CTCL-153P-WH-1	150W Lutron Skylark Contour C-L™ Dimmer w/out plate	\$80.25
L-DSL06-1LZ-1	300W Leviton® Decora® LED Dimmer w/WH-IV-LA Kit	\$82.30

Compatible with Tresco 12VDC and 24VDC Wall Dimmable Power Supplies (previous pages)

Controllers

All product dimensions and specifications are subject to change without prior notice.

FREEDiM

WIRELESS CONTROL



FREEDiM Series Universal Receiver

12VDC
24VDC

Features:

60W Capacity (12VDC); 96W Capacity (24VDC)

Power failure memory

Multiple receivers can be used in a single power supply or within a room to achieve multiple zones of control

Simple one button pairing with dimmers

Compatible with all single color FREEDiM Series controllers



Deco Wall Dimmers



Micro Dimmers



3 Zone Remote

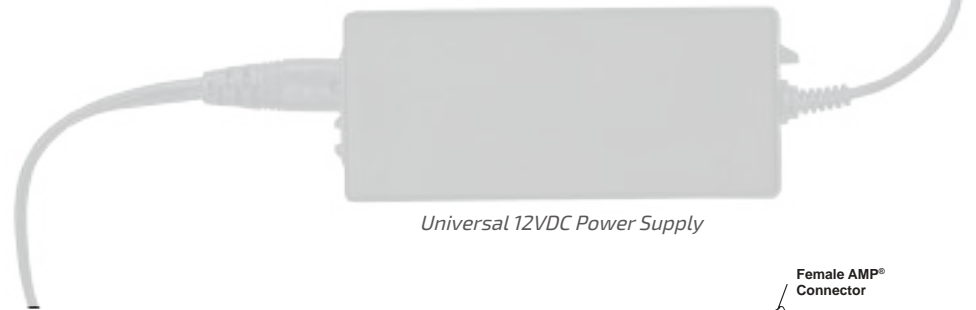


LED Fixture

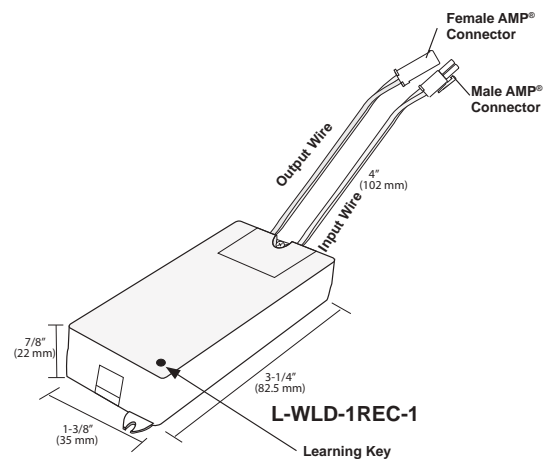
Mounting Block



Universal FREEDiM Series Receiver
L-WLD-1REC-1



Universal 12VDC Power Supply



Part #	Description	SLP
L-WLD-1REC-1	12/24VDC FREEDiM Series Receiver	\$94.70

A single receiver can be programmed to up to 8 different FREEDiM Series remotes/dimmers

All product dimensions and specifications are subject to change without prior notice.

PATENT NO. 9,818,559 B2

FREEDiM Series Deco Wall Dimmer

Features:

Available in single and 2-zone

Can be programmed to multiple receivers for more lighting control

Black, white or light almond finish

Fits Decora® style wall plates

65 ft. (20 m) range of control from dimmer to receiver

Controls all Tresco® 12/24VDC dimmable low voltage lights

Unlike traditional hardwire dimmers, you can control the same set of lights from multiple Deco Wall Dimmers



Easily remove switch from docking tray to replace batteries or use as a remote dimmer



Can be mounted to standard wall electrical boxes or to drywall

Part #	Description	SLP
L-WLD-1WAL-**-1	FREEDiM Series Deco Wall Dimmer	\$139.85
L-WLD-2WAL-**-1	FREEDiM Series Two-Zone Deco Wall Dimmer	\$152.00
L-WLD-1REC-1	12/24VDC FREEDiM Series Receiver	\$94.70

**Insert BL for Black (only available in single zone), WH for White, LA for Light Almond

A single dimmer can be programmed to up to 10 different receivers.

Must have at least one receiver (L-WLD-1REC-1) to operate

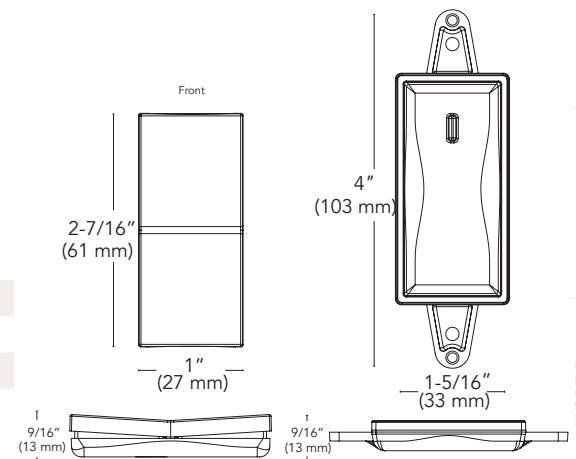
A single receiver can be programmed to up to 8 different FREEDiM Series remotes/dimmers

Single Color Controllers

FREEDiM
WIRELESS CONTROL



Also available in 2-Zone:



FREEDiM Series Wireless Controllers



FREEDiM Series Micro Dimmer

Features:

Single zone wireless dimmer

Black or Nickel finish

Easy to replace, long life lithium battery

65 ft. (20 m) range of control from dimmer to receiver

Controls all Tresco® 12/24VDC dimmable low voltage lights

Recess or surface mount



Integrated magnet allows for mounting to refrigerator or other metallic surfaces

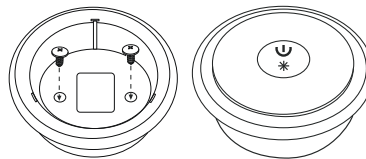
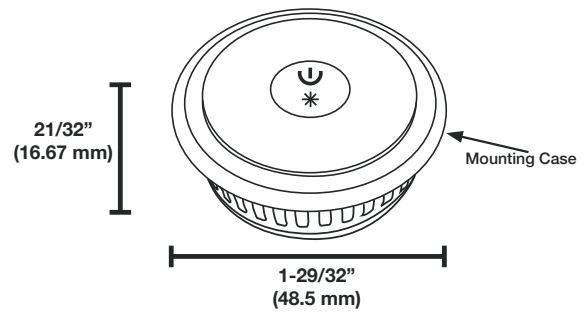


Easy (2) screw installation

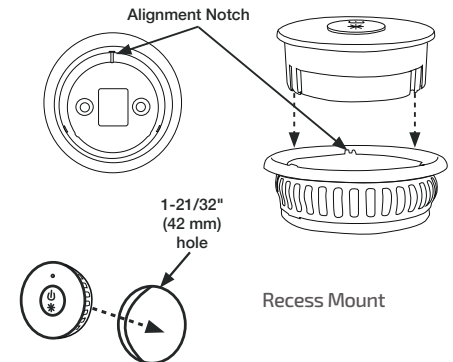


Integrated Magnet

Battery Compartment (CR2025)



Surface Mount



Recess Mount

Part #	Description	SLP
L-WLD-1RND-BL-1	FREEDiM Series Micro Dimmer, Black	\$42.70
L-WLD-1RND-NI-1	FREEDiM Series Micro Dimmer, Nickel	\$42.70
L-WLD-1REC-1	12/24VDC FREEDiM Series Receiver	\$94.70

A single dimmer can be programmed to up to 10 different receivers.
Must have at least one receiver (L-WLD-1REC-1) to operate

A single receiver can be programmed to up to 8 different FREEDiM Series remotes/dimmers.
 Must purchase 12VDC to 24VDC Controller Adaptor Cord Set for 24VDC LED fixtures.

FREEDiM Series 3 Zone Remote

Features:

Independent control of 3 lighting zones from single remote

Program additional receivers to separate the lighting in a room into multiple zones that you can control independently

Set brightness levels of all of the zones to a desired level then save as a "scene"

65 ft. (20 m) range of control from remote to receiver

Controls all Tresco® 12/24VDC dimmable low voltage lights



Integrated magnet allows for mounting to refrigerator or other metallic surfaces.



Docking tray can be screw mounted. Remotes attach to tray magnetically.

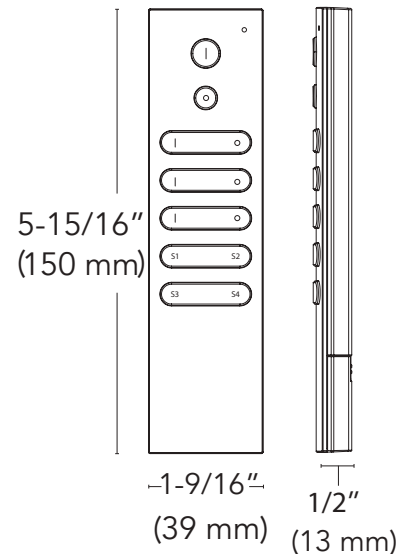
FREEDiM
WIRELESS CONTROL



3-Zone
(CR2032 Battery)



Battery Compartment
(CR2032 Battery)



Part #	Description	SLP
L-WLD-3RMT-BL-1	FREEDiM Series 3-Zone remote, Black	\$72.05
L-WLD-1REC-1	12/24VDC FREEDiM Series Receiver	\$94.70

Must have at least one receiver (L-WLD-1REC-1) to operate

A single receiver can be programmed to up to 8 different FREEDiM Series remotes/dimmers

Waste
Blind Corner
Sink
Base
Tall
Drawer
Wall
Vanity
Closet
Susan
Lazy

Wireless Door Sensor Receiver

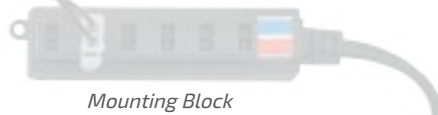
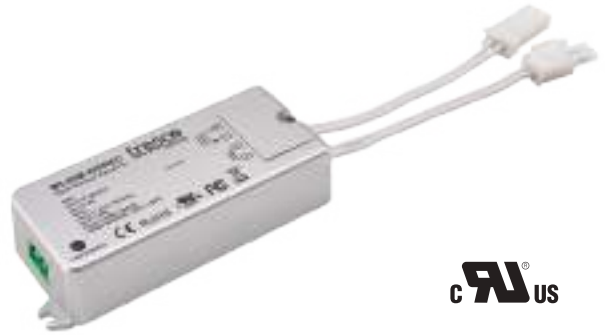
12VDC
24VDC

FREEDiM

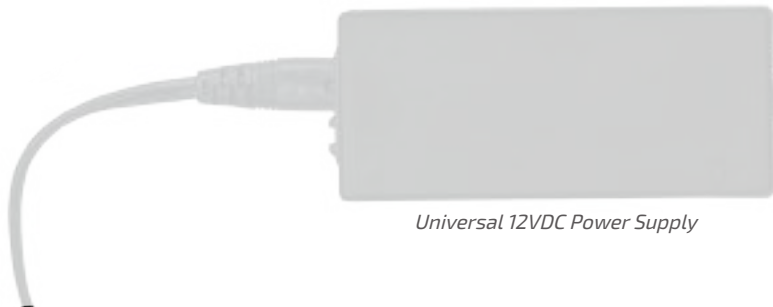
WIRELESS CONTROL

Features:

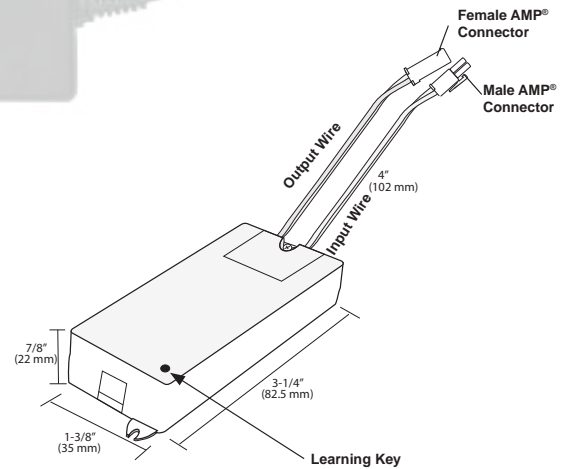
- 60W capacity (12VDC); 96W capacity (24VDC)
- Power failure memory
- Install inline between power supply and lights
- Simple one button pairing with Wireless Door Sensors
- Single receiver can be programmed with up to (4) sensors
(Allows for up to 4 doors to control the same light fixtures.)



Wireless Door Sensor Receiver
L-WLDSREC-1



Universal 12VDC Power Supply



Part #	Description	SLP
L-WLDSREC-1	12/24VDC Wireless Door Sensor Receiver	\$94.70

Single receiver can be programmed with up to 4 door sensors.

Wireless Door Sensor

Features:

- Allows light to be controlled by multiple doors
- Black or Nickel
- Simple push-button pairing with receiver (sold separately)
- Program up to (4) sensors to a single L-WLDSREC-1 receiver
- No cumbersome, messy wires to have to hide inside your cabinetry
- Mounting hardware (included)



Activated by a magnet; simply adhere to the inside of cabinet door with included double-stick adhesive



Comes with (3) stick-on magnet covers in black, brown and white

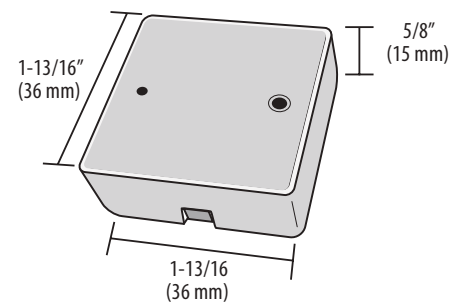
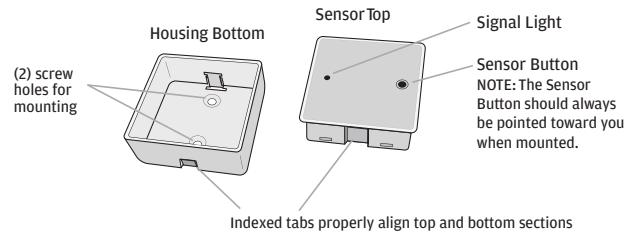
Part #	Description	SLP
L-WLDS-BL-1	FREEDiM Wireless Door Sensor, Black	\$67.30
L-WLDS-NI-1	FREEDiM Wireless Door Sensor, Nickel	\$67.30

Must have at least one receiver (L-WLDSREC-1) to operate

FREEDiM WIRELESS CONTROL



Long-lasting CR2025 battery



RGB-CCT Controller/Receivers

12VDC
24VDC



Features:

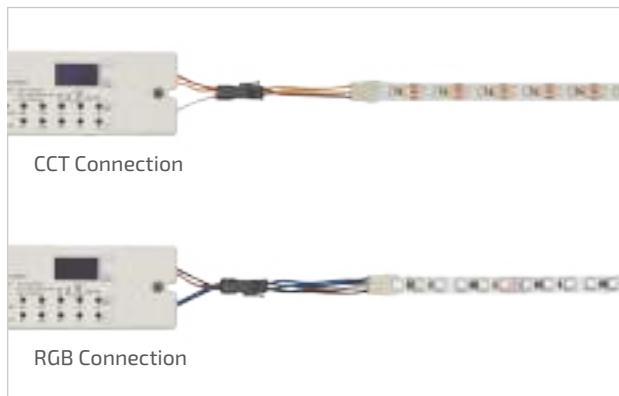
- 60W capacity (12VDC); 96W capacity (24VDC)
- Digital user interface
- Power failure memory
- Simple one-button programming of FREEDiM Series wireless controls
- Compatible Tresco® FREEDiM series RGB or CCT hand and wall controllers (sold separately)
- Works with any 12/24VDC Tresco® RGB or CCT low voltage lights
- Complete with pigtails for RGB or CCT connection
- Tuning of the RGB or Color temperature from 2700K-6500K



Parent Controller/Receiver
L-RGBCCT1-PREC-1



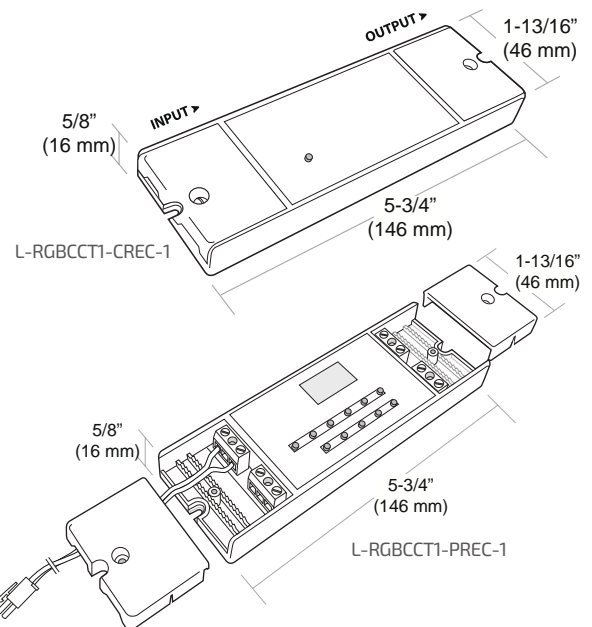
Child Controller/Receiver
L-RGBCCT1-CREC-1



Display in RGB mode. RGB values can be tuned in increments of 1



Display in CCT mode. CCT values can be tuned in increments of 15-16K (Color temperature is range)



Part #	Description	SLP
L-RGBCCT1-PREC-1	12/24VDC RGB-CCT Parent Controller/Receiver	\$148.20
L-RGBCCT1-CREC-1	12/24VDC RGB-CCT Child Controller/Receiver	\$134.15

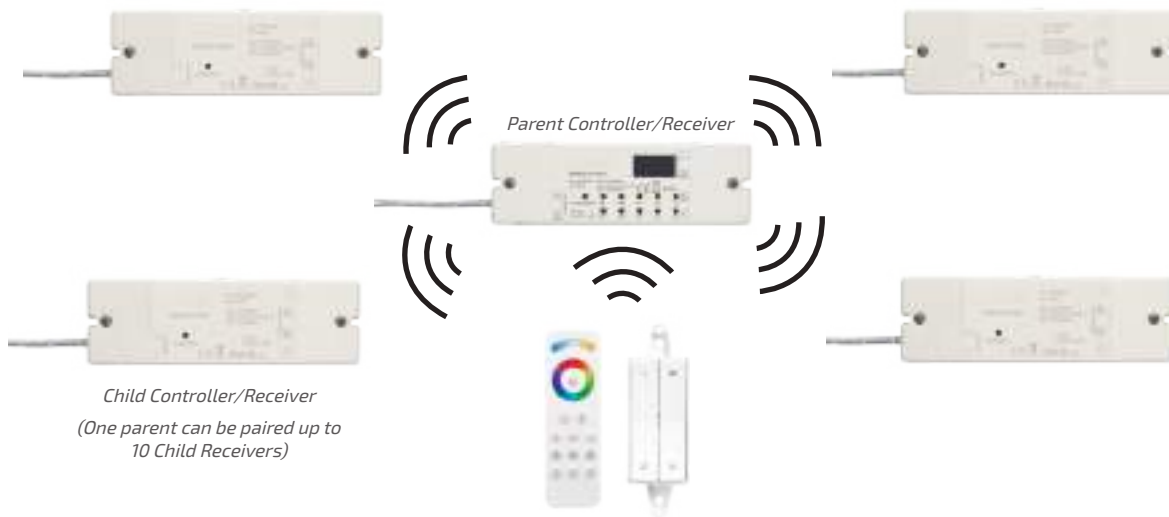
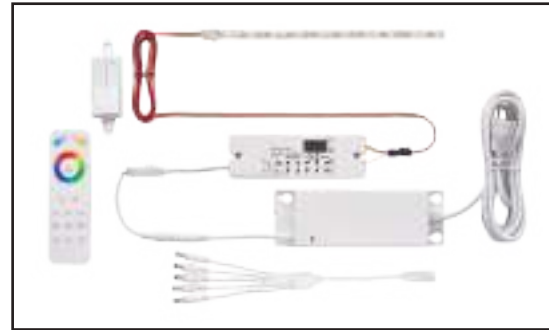
Waste
Blind Corner
Sink
Base
Tall
Drawer
Wall
Vanity
Closet
Lazy Susan

LED Lighting

12VDC Setup



24VDC Setup



Child Controller/Receiver
(One parent can be paired up to 10 Child Receivers)

Wireless remote controls 1 parent per zone and 10 child receivers per parent

RGB-CCT Wall Controllers



PATENT NO. 9,818,559 B2

- (2) configurations: RGB or CCT (White tunable)
- Can be programmed with up to (1) parent and (10) child receivers
- Fits Decora® style wall plates
- 65 ft. (20 m) range of control from dimmer to receiver
- Controls all Tresco® RGB or CCT low voltage lights
- RGB/CCT controller/receivers required (sold separately)
- Long-lasting CR1625/1620 battery (included)

RGB

Easy touch Red, Green, Blue and on/off/dimming controls

CCT – White Tunable

Easy touch warm 2700K to daylight 6500K and on/off/dimming controls



Part #	Description	SLP
L-WLD-CCT-WH-1	CCT FREEDiM Deco Wall Dimmer, White	\$152.00
L-WLD-RGB-WH-1	RGB FREEDiM Deco Wall Dimmer, White	\$152.00

RGB-CCT Wireless Remote



Features:

Intuitive and ergonomic design

Can control RGB and CCT

Touch control for color mixing

Quick set buttons for common CCT and static RGB values

Program up to (2) separate zones and control independently

(10) preset RGB sequences with speed control (i.e. fade in, fade out)



5-17/32"
(140.5 mm)

1-23/32"
(44 mm)

Part #	Description	SLP
L-RGBCCT-RMT-1	RGB-CCT Wireless Hand Remote	\$94.35

A single remote can control 1 parent and 10 child receivers per zone

Waste

Blind Corner

Sink

Base

Tall

Drawer

Wall

Vanity

Closet

Lazy Susan

Wireless Remote Control Dimmers

12VDC
24VDC

Remote Control LED Dimmers feature radio-frequency, remote-control dimming to adjust lights from anywhere in the room up to 30' (9 m). The remote control provides on/off power and dims lights from 100%-1%.

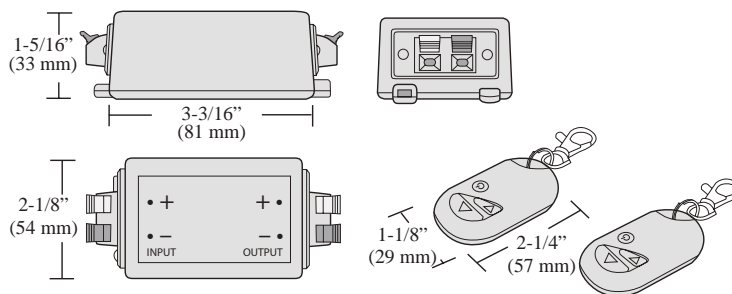


Universal Remote Dimmer

- Controls up to 12VDC/60W or 24VDC/96W of LED lighting
- Features a built-in memory that recalls the last setting when turned on
- Comes with two remote controls (one as a backup)
- No line of sight required
- Can control multiple dimmers in same room with single remote control for universal dimming
- Dims lights from 100%-1%

Dedicated Remote Control Dimmer

- Controls up to 12VDC/60W or 24VDC/96W of LED lighting
- Features a built-in memory that recalls the last setting when turned on
- No line of sight required
- Comes with two remote controls (one extra, as a backup) that are synchronized to control the same dimmer
- Can use multiple independently controlled dimmers in the same room
- Dims lights from 100%-1%



Part #	Description	SLP
L-LED-DIMRMT-12V8A-1	12/24VDC LED Dedicated Remote Control Dimmer	\$70.45
L-LED-DIMRMT-12V8A-U-1*	12/24VDC LED Universal Remote Control Dimmer	\$70.45
L-24VDC3INADP-BL-1	12VDC to 24VDC Controller Adaptor Cord Set, Black	\$11.85
L-24VDC3INADP-WH-1	12VDC to 24VDC Controller Adaptor Cord Set, White	\$11.85

Adaptor Cord Set required for 24VDC operation.

***Recommended not to exceed 3 per room**

Placement of multiple dimmers in a room may be critical for proper function depending on set-up and obstacles.

Oval Controllers

12VDC



Door Sensor Controller

Door open, light on; door closed, light off

- Max wattage: 60W
- Sensor range: 1/4" - 2" (6 mm - 50 mm)
- Cable input: 79" (2 m)
- Cable output: 6" (152 mm)
- Finish: Black/Nickel

Motion Controller

Turns on when human motion is detected

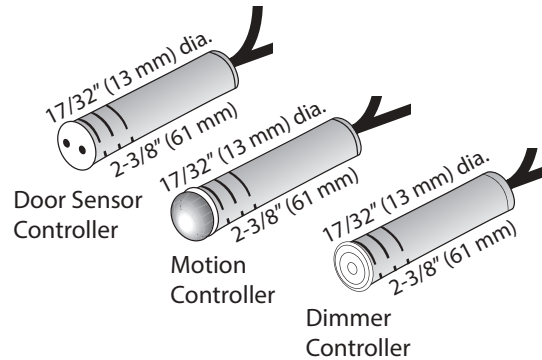
- Max wattage: 60W
- Sensor range: 0-5' (1500 mm)
- Viewing degree: 100°
- Time on: 30 secs if no motion
- Cable input: 79" (2 m)
- Cable output: 6" (152 mm)
- Finish: Black/Nickel



Dimmer Controller

Touch on/off and 0-100% dimming control

- Max wattage: 60W
- Cable input: 79" (2 m)
- Cable output: 6" (152 mm)
- Finish: Black/Nickel
- * Hold finger down for dimming



Part #	Description	SLP
L-LED-OVLTD-**-1	12VDC 60W Oval Recess/Surface Mnt. Touch Dimmer	\$47.10
L-LED-OVLDS-**-1	12VDC 60W Oval Recess/Surface Mnt. Door Sensor	\$45.15
L-LED-OVLMS-**-1	12VDC 60W Oval Recess/Surface Mnt. Motion Sensor	\$50.25
L-DB1732-1	17/32" (13 mm) Drill Bit for Recess Mount	\$44.25

**Available in Black (BL) and Nickel (NI)
Surface mount plate packaged with each controller.

Profile Controllers

12VDC
24VDC



(5) profiles to choose from – angled, curved, recessed, round or square

Capacity: 12VDC/60W; 24VDC/96W

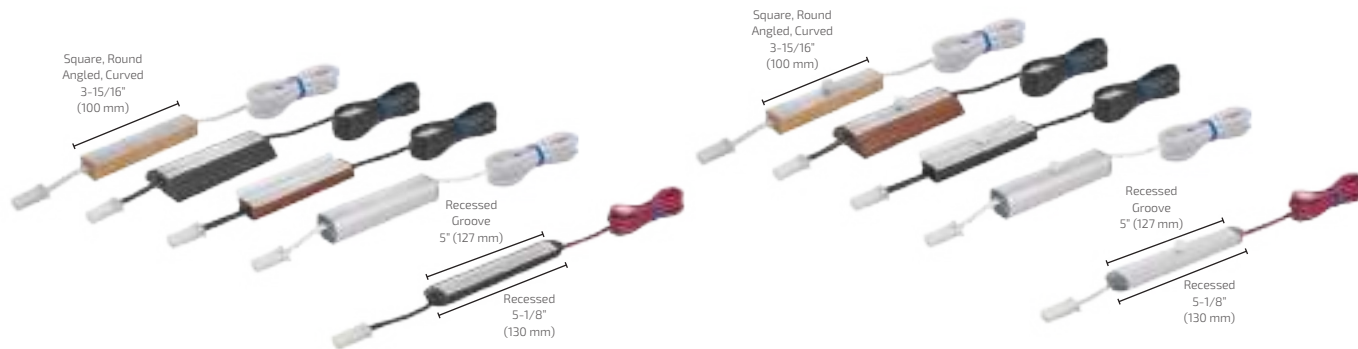
(2) configurations: Touch Dimmer and Touch Dimmer/Motion Combo

Power failure memory (retains last setting)

79" (2 m) input and 3" (76 mm) output

Controls all Tresco® dimmable low voltage lights

Various finishes available



Touch Dimmer Controller

Touch ON/OFF

Gradual dimming from 100%-5%

Power failure memory (retains last setting)

10-hour automatic energy-saving shutoff

Touch Dimmer and Motion Controller Combo

Premium Panasonic motion sensor

Touch dimmer function 100/75/50/25/Off

(3) time settings: 30 seconds, 3 minutes, 30 minutes or customization available

Motion sensor can be bypassed

Dimming function works in motion sensor mode or stand-alone mode

10-hour automatic energy-saving shut off in dimmer only mode

*Motion sensor time can be customized by Tresco®

Part #	Description	SLP
L-XSQRDIMA-XX-1	Dimmer Module for Square Profile	\$75.60
L-XCRVDIMA-XX-1	Dimmer Module for Curved Profile	\$75.60
L-XANGDIMA-XX-1	Dimmer Module for Angled Profile	\$68.25
L-XRNDDIMA-XX-1	Dimmer Module for Round Profile	\$70.60
L-XRECDIMA-XX-1	Dimmer Module for Recessed Profile	\$68.25
L-XSQRCBOYY-XX-1	Dimmer/Motion Sensor Combo for Square Profile	\$88.35
L-XCRVCBOYY-XX-1	Dimmer/Motion Sensor Combo for Curved Profile	\$88.35
L-XANGCBOYY-XX-1	Dimmer/Motion Sensor Combo for Angled Profile	\$81.00
L-XRNDCCBOYY-XX-1	Dimmer/Motion Sensor Combo for Round Profile	\$83.40
L-XRECCBOYY-XX-1	Dimmer/Motion Sensor Combo for Recessed Profile	\$81.00

All controllers are 3-15/16" (100 mm) in length except recessed profiles which are 5-1/8" (130 mm)

XX= Insert SC for Satin Clear, BL for Black, DC for Dark Cherry, NSM for Natural Soft Maple
Round and recessed profiles only available in Satin Clear and Black

30 second, 3 minute, and 30 minute versions of Dimmer/Motion Sensor Combo available.
YY = 30S (30 second), 3M (3 minute) or 30M (30 minute)

Mounting:
(Mounting accessories are dependent upon the profile)

Square/Curved: Magnet mount (magnet already built-in) with metal plate and u-clips

Round: U-Clips

Angled: Screw-in

Recessed: Route a channel in wood 21/64" (8.33 mm) minimum depth x .75" (19 mm) width x 5" (127 mm) length and pressure fit this extrusion in place.

Manual In-Line Rotary Dimmer

12VDC

24VDC

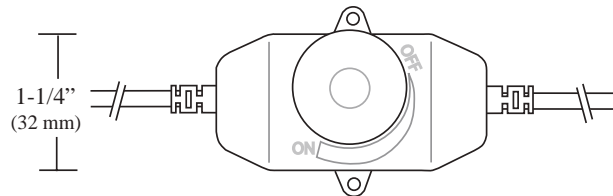
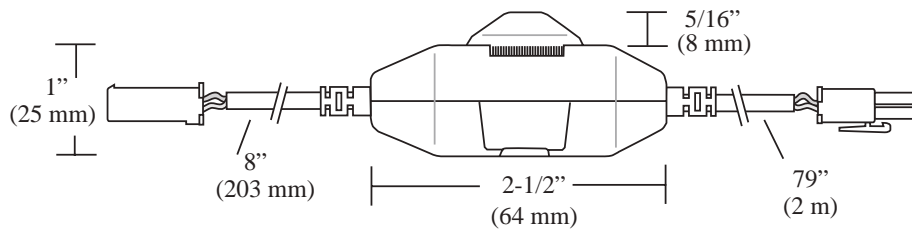
Features:

Capacity: 12VDC/48W; 24VDC/96W

100-0% dimming and on/off power

79" (2 m) input lead and 8" (203 mm) output lead

(2) screws for mounting



Part #	Description	SLP
L-LED-DIMCON-BL-1	12/24VDC LED Inline Rotary Dimmer, Black	\$44.10
L-LED-DIMCON-WH-1	12/24VDC LED Inline Rotary Dimmer, White	\$44.10
L-24VDC3INADP-BL-1	12VDC to 24VDC Controller Adaptor Cord Set, Black	\$11.85
L-24VDC3INADP-WH-1	12VDC to 24VDC Controller Adaptor Cord Set, White	\$11.85

Adaptor Cord Set required for 24VDC operation.

Round Switch

12VDC
24VDC

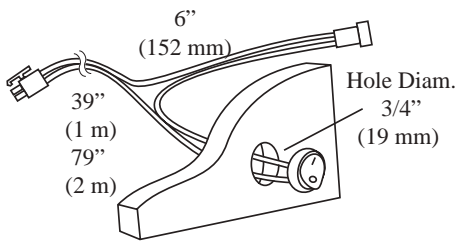
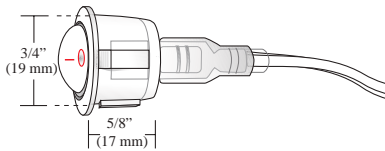
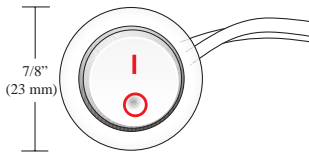
Capacity: 12VDC/60W; 24VDC/96W



Front View



Available in Black and White



Part #	Description	SLP
L-RDSW-1M-BL-1	12/24VDC Rocker Switch w/ 39" (1 m) Lead, Black	\$18.90
L-RDSW-1M-WH-1	12/24VDC Rocker Switch w/ 39" (1 m) Lead, White	\$18.90
L-RDSW-2M-BL-1	12/24VDC Rocker Switch w/ 79" (2 m) Lead, Black	\$21.70
L-RDSW-2M-WH-1	12/24VDC Rocker Switch w/ 79" (2 m) Lead, White	\$21.70
L-24VDC3INADP-BL-1	12VDC to 24VDC Controller Adaptor Cord Set, Black	\$11.85
L-24VDC3INADP-WH-1	12VDC to 24VDC Controller Adaptor Cord Set, White	\$11.85

3/4" (19 mm) hole required.
Adaptor Cord Set required for 24VDC operation.

Install Accessories

All product dimensions and specifications are subject to change without prior notice.

Wire Channel



Features:

Plastic channel for wire management

Available in (3) finishes: Black, Brown and White

Sold in 5' (1.5 m) lengths

Easily cut to size in the field

Durable adhesive mounting

Part #	Description	SLP
L-WM5-BL-1	5' (1.5 m) Wire Management Channel, Black	\$13.55
L-WM5-BR-1	5' (1.5 m) Wire Management Channel, Brown	\$13.55
L-WM5-WH-1	5' (1.5 m) Wire Management Channel, White	\$13.55

12/24VDC Class 2 Wire and DIY Connectors

Part #	Description	SLP
L-16CL2-WH50-1	12/24VDC 50' (15 m) 16 AWG Class 2 Wire Roll, White	\$81.00
L-LED-WCON-WH-1	12/24VDC DIY Barrel Connectors, White (1 bag of 10)	\$52.70
L-LED-WCON-BL-1	12/24VDC DIY Barrel Connectors, Black (1 bag of 10)	\$52.70



Wire rated for low-voltage
in-wall use

AMP® Connector and Extractor



Part #	Description	SLP
L-PINEXT-1	AMP® Connector Extraction Tool	\$41.20
L-MALE-AMP-10-1	AMP® Connector for Light Fixture (box of 10)	\$11.75

Pin Extractor safely removes AMP® Connectors.

VHB Tape



Part #	Description	SLP
L-VHBTPE-1134-1	7/16" (11 mm) x 111-1/2' (34 m) VHB Adhesive Tape Roll	\$102.80

Automotive grade VHB tape can be used to mount all fixtures or as a base layer for mounting Tape LED products.

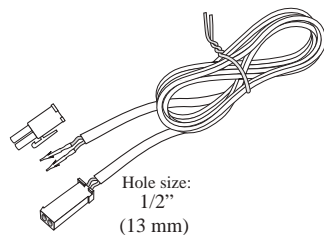
Starter/Extension Cord

Features:

Low-voltage wire

Used to extend the starter leads for any Tresco® lights

7 lengths (12VDC) 3 lengths (24VDC)

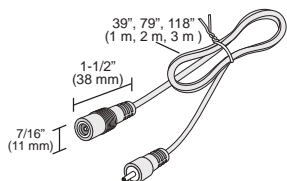


12VDC

Part #	Description	SLP
L-LED-LINKD-8-1	12VDC 8 cm (3") Starter/Link/Extension Cord	\$3.80
L-LED-LINKD-15-1	12VDC 15 cm (6") Starter/Link/Extension Cord	\$4.65
L-LED-LINKD-25-1	12VDC 25 cm (10") Starter/Link/Extension Cord	\$6.65
L-LED-LINKD-60-1	12VDC 60 cm (24") Starter/Link/Extension Cord	\$7.70
L-LED-LINKD-120-1	12VDC 120 cm (48") Starter/Link/Extension Cord	\$9.40
L-LED-LINKD-180-1	12VDC 180 cm (72") Starter/Link/Extension Cord	\$11.45
L-LED-LINKD-245-1	12VDC 245 cm (96") Starter/Link/Extension Cord	\$13.85

24VDC

Part #	Description	SLP
L-24BBEXT-1M-1	24VDC 1 m (39") ML/FML Barrel Extension, White	\$8.50
L-24BBEXT-2M-1	24VDC 2 m (79") ML/FML Barrel Extension, White	\$12.50
L-24BBEXT-3M-1	24VDC 3 m (119") ML/FML Barrel Extension, White	\$17.10



Drill Bit



Part #	Description	SLP
L-DB1732-1	17/32" (13 mm) Drill Bit	\$48.75

For installing Oval Controllers

Phillips Screwdriver



Part #	Description	SLP
L-P1SCRWDR-1	#1 Phillips Screwdriver	\$9.90

Mini Flathead Screwdriver



Part #	Description	SLP
L-MFSCRWDR-1	Mini Flathead Screwdriver	\$4.20

Waste
Blind Corner
Sink
Base
Tall
Drawer
Wall
Vanity
Closet
Lazy Susan

Tools of the Trade Starter Kit



Starter Kit Includes:

2 mount blocks	Mini flathead screwdriver	(1) 17/32" drill bit
50' (15 m) roll of class 2 wire	AMP® extractor	VHB tape
10 AMP® connectors	10 barrel connectors	15" (381 mm) canvas bag
Phillips screwdriver	10 wire management clips	



Starter Kit:

Part #	Description	SLP
L-TOOLKIT-1	Tools of the Trade Tool Bag Starter Kit	\$279.10

Replacement Items:

Part #	Description	SLP
L-16CL2-WH50-1	12/24VDC 50' (15 m) 16 AWG Class 2 Wire Roll, White	\$81.00
L-TRANS-MNT-BL-1	Extra 6-Snap Mounting Block	\$11.85
L-MALE-AMP-10-1	AMP® Connector for Light Fixture (1 bag of 10)	\$11.75
L-WCLP-WH-1	Wire Management Adhesive Clips, White (1 bag of 10)	\$9.65
L-LED-WCON-WH-1	12/24VDC DIY Barrel Connectors, White (1 bag of 10)	\$52.70
L-LED-WCON-BL-1	12/24VDC DIY Barrel Connectors, Black (1 bag of 10)	\$52.70
L-DB1732-1	17/32" (13 mm) Drill Bit	\$48.75
L-P1SCRWDR-1	#1 Phillips Screwdriver	\$9.90
L-MFSCRWDR-1	Mini Flathead Screwdriver	\$4.20
L-PINEXT-1	AMP® Connector Extraction Tool	\$41.20
L-VHBTPE-1134-1	7/16" (11 mm) x 111-1/2' (34 m) VHB Adhesive Tape Roll	\$102.80



Swidget



Features:

Future Proof - convenient Over-The-Air (OTA) upgrades allow you to expand capabilities right from your Swidget App

Modular System - interchangeable inserts allow you to swap technologies as your needs change or new technology emerges

Compatible with all Tresco® low voltage LED lighting

More Power for High Current Devices - 20A Outlet offers the largest smart capacity on the market

User Safe - devices are designed with tamper-resistant outlets and certified Class 2



Interchangeable Wi-Fi Enabled Inserts



Minimalistic Design

Upgrade your space with a simple swap. Replace your existing switch or outlet with a technology-ready Swidget Device. Add your choice of Wi-Fi enabled inserts and control your lights, program schedules, create scenes, set automations and more with the Swidget App, or pair with Amazon Alexa or Google Home to enable voice commands. A future-proof versatile solution for a connected smart home.

PLUG & PLAY TECHNOLOGY

Upgrading your space is as easy as 1-2-3.



1. Select and Install Your Device



2. Choose Your Desired Insert



3. Control Your Smart Home



USE THROUGHOUT THE HOME



Night Light
20A Outlet with
Wi-Fi Control + Guide/Night
Light Insert

Free up both plugs and add a night
light directly into your outlet



Working Together
Standard Switch with Wi-Fi
Control + Motion Sensor Insert,
20A Outlet with Wi-Fi Control
Insert

Setup devices to trigger one
another in the Swidget App! Con-
nect your Wi-Fi enabled outlet
and switch so lighting
automatically turns on and off
when you enter and leave a room



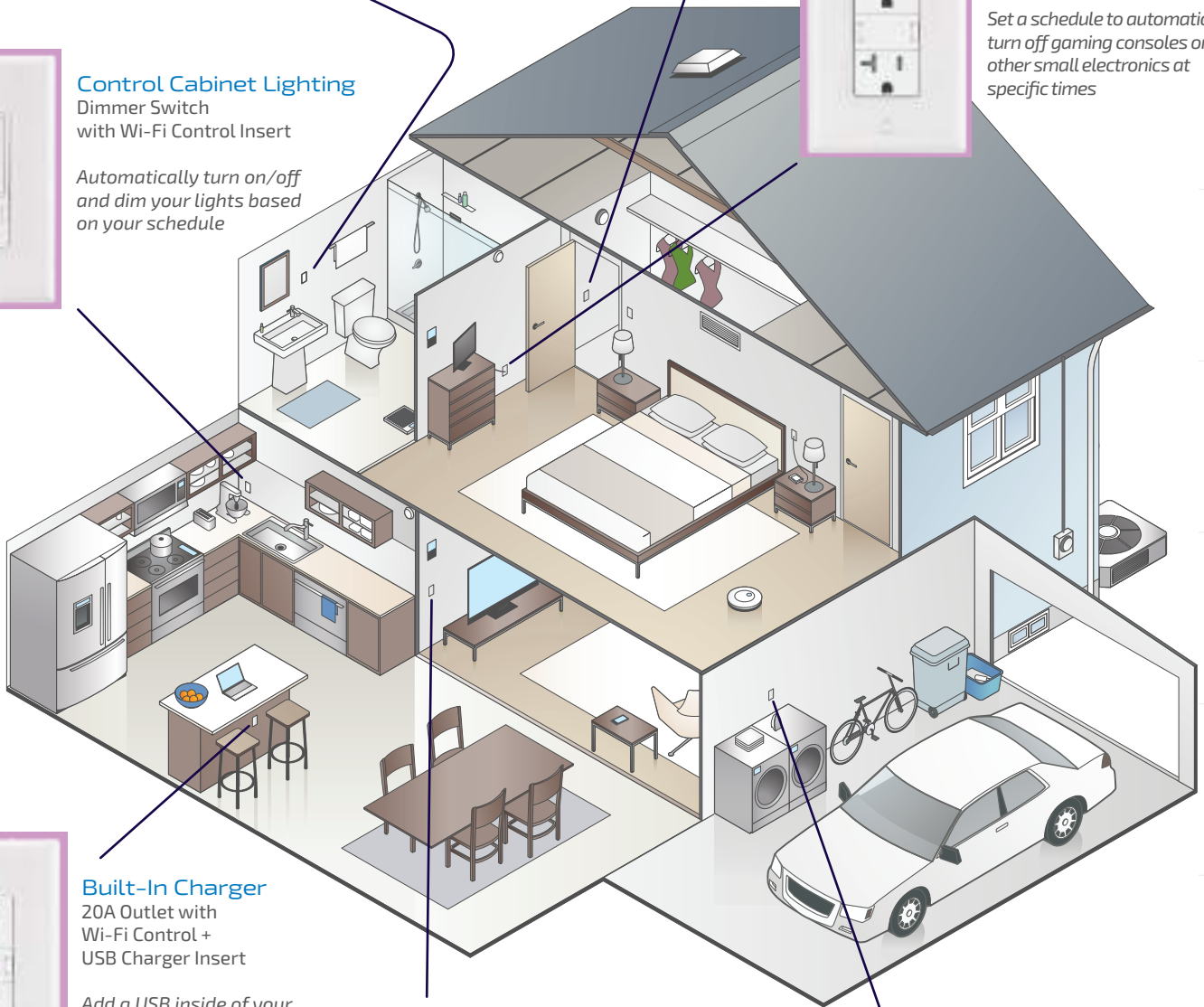
Parental Control
20A Outlet with
Wi-Fi Control Insert

Set a schedule to automatically
turn off gaming consoles or
other small electronics at
specific times



Control Cabinet Lighting
Dimmer Switch
with Wi-Fi Control Insert

Automatically turn on/off
and dim your lights based
on your schedule



Built-In Charger
20A Outlet with
Wi-Fi Control +
USB Charger Insert

Add a USB inside of your
outlet for fast,
convenient charging



Vacation Schedule
Dimmer Switch with
Wi-Fi Control Insert

Set lights to automatically
turn on/off at different times
of the day while you are away



**Automatic
Lights**
Standard Switch with
Wi-Fi Control +
Motion Sensor Insert

Create an automation
to automatically turn
off your lights when
the garage is
unoccupied

Waste
Blind Corner
Sink
Base
Tall
Drawer
Wall
Vanity
Closet
Susan
Lazy

3 DEVICES TO CHOOSE FROM



20A Outlet



Standard Switch



Dimmer Switch

4 SWAPPABLE INSERTS TO CHOOSE FROM



Wi-Fi Control



Wi-Fi Control + Motion Sensor



Wi-Fi Control + Guide/Night Light



Wi-Fi Control + USB Charger

Additional special-order items available, contact Tresco® or your local sales representative for more information

CONTROL YOUR HOME FROM YOUR PHONE



Download the App

With knowledge and control at your fingertips, the Swidget App allows you to control your device while monitoring power consumption accurately and in real-time.

- Power On/Off your outlet or switch
- Program schedules, create scenes and set automations
- Monitor your energy consumption and set automatic notifications including when the power consumption is too high
- Connect inserts to trigger one another for a complete smart home system



Voice Control

Control your Swidget Wi-Fi connected inserts with your voice using Alexa, Google Assistant and IFTTT enabled devices.



STEP 1: CHOOSE YOUR DEVICE

Install once, upgrade effortlessly. Install your Swidget outlet or switch using your existing wiring and add an insert for smart home functionality without the clutter.

20A OUTLET



Customize your space. The smart-ready outlet gives you control and allows you to monitor your power accurately and in real-time. The only smart device that uses energy insights to provide notification alerts to help save you money and reduce energy consumption.

Features:

Independent power monitoring for each of the (2) receptacles with a Wi-Fi enabled insert and the Swidget App

Tamper resistant shutters for safe operation

Neutral wire required for installation

Wireless control of the bottom receptacle with a Wi-Fi enabled insert

Installs like a standard wall receptacle using the same wiring

Indoor use only

5-Year Limited Warranty

Input Power Rating: 125VAC, 20A

Outlet Receptacle Configuration: NEMA 5-20R

Environmental: Indoor only

Testing and Code Compliance: UL 498 / UL1310, CSA C22.2 #42, #223 (Canada and US)

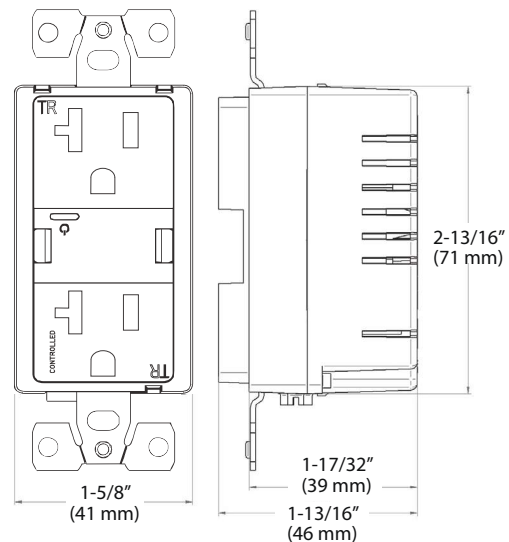
Operating Temperature: 14F to 104F (-10C to 40C)



Interchangeable inserts sold separately



Fits all electrical boxes 3" x 2" x 2.5" and larger



20A Outlet

Part #	Description	SLP
L-R1020SWA-1	120VAC 2.4KW Swidget Outlet, w/o Insert, White	\$63.00

Note: Electrician required for install. Works with all standard Rocker Switch plates (not included).

STANDARD SWITCH



No longer just on or off. The smart-ready switch is a customizable switch designed for lighting and fan applications.

Features:

Single pole and 3-way wiring compatible for lighting and fan applications

Direct power monitoring and capability for scene programming with a Wi-Fi enabled insert

Neutral wire required for installation

Indoor use only

5-Year Limited Warranty

Input Power Rating: 125VAC, 5A

LED/CFL Load Rating: 300W

Testing and Code Compliance: UL 498 / UL1310, CSA C22.2 #42, #223 (Canada and US)

Environmental: Indoor only

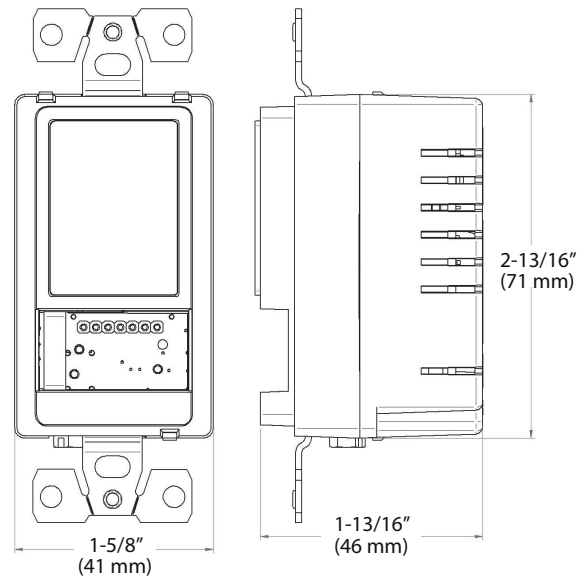
Operating Temperature: 14F to 104F (-10C to 40C)



Interchangeable inserts sold separately



Fits all electrical boxes 3" x 2" x 2.5" and larger



Standard Switch

Part #	Description	SLP
L-S16001WA-1	120VAC 300W/600W Swidget Toggle Switch, w/o Insert, White	\$66.00

Note: Electrician required for install. Works with all standard Rocker Switch plates (not included).

DIMMER SWITCH



Transform your space. The smart-ready dimmer allows you to set the perfect atmosphere in any room.

Features:

Designed with industry-leading anti-flicker technology for dimmable LEDs

Unique ON/OFF/Dimmer control in a single pad

Direct power monitoring and capability for scene programming with a Wi-Fi enabled insert

Neutral wire required for installation

Compatible with all Tresco® dimmable power supplies

Indoor use only

5-Year Limited Warranty

Input Power Rating: 125VAC, 2.5A

LED/CFL Load Rating: 150W

Incandescent/Halogen Load Rating: 300W

Number of Poles: Single (1p)

Testing and Code Compliance: UL 1472 / UL1310, CSA C22.2 #184.1, #223 (Canada and US)

Compatibility: NEMA SSL 7A Compliant

Environmental: Indoor only

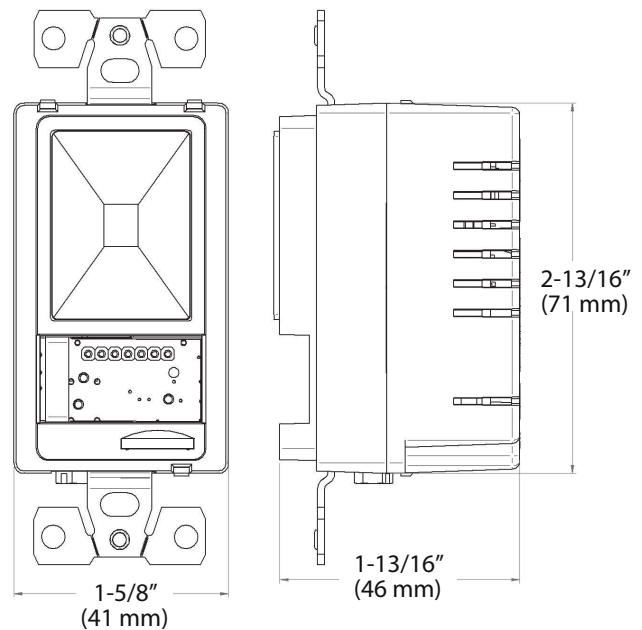
Operating Temperature: 14F to 104F (-10C to 40C)



Interchangeable inserts sold separately



Fits all electrical boxes 3" x 2" x 2.5" and larger



Dimmer Switch

Part #	Description	SLP
L-SD3001WA-1	120VAC 150W/300W Swidget Dimmer Switch, w/o Insert, White	\$83.00

Note: Electrician required for install. Works with all standard Rocker Switch plates (not included).

STEP 2: CHOOSE YOUR INSERT Class 2



You've selected your device; now add technology without the clutter. Wi-Fi enabled smart control inserts are easily installed, removed or replaced as your needs change or new technology emerges. No need to call an electrician - add your new insert and connect to the Swidget App to control your device from anywhere.

WI-FI CONTROL INSERT



Smart home solution. This Wi-Fi enabled insert gives you complete wireless control, connect to the Swidget App and control your device from anywhere!

Features:

2.4GHz, Wi-Fi 6 router compatible

Easily replaced, no electrician required

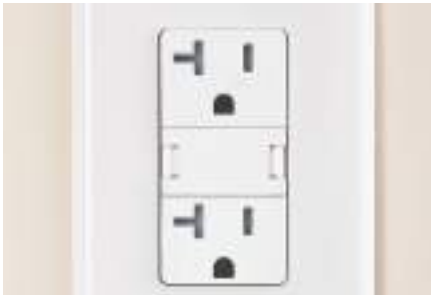
Independent power monitoring

Regular wireless upgrades to expand capabilities right from your Swidget App

Works with Amazon Alexa, Google Assistant and IFTTT

2-Year Limited Warranty

Wireless Standard: Wi-Fi 802.11g
Average Power Rating: 5VDC @ 40mA (Class 2)
Device Upgrades: OTA
Environmental: Indoor only
Operating Temperature: 14F to 104F (-10C to 40C)



Insert into any Swidget device

Wi-Fi Control Insert

Part #	Description	SLP
L-WI000UWA-1	Swidget Wi-Fi Control Insert, White	\$34.00

WI-FI CONTROL + GUIDE/NIGHT LIGHT INSERT

Illuminate the way. The Wi-Fi enabled Guide/Night Light insert provides all the features of a standard night light using high-efficiency LED technology to brighten any dark room or space safely.

Features:

2.4GHz, Wi-Fi 6 router compatible

Basic night light functionality with an automatic light sensor trigger

Warm white high efficiency LED

Easily replaced, no electrician required

Independent power monitoring

Regular wireless upgrades to expand capabilities right from your Swidget App

Works with Amazon Alexa, Google Assistant and IFTTT

2-Year Limited Warranty

Wireless Standard: Wi-Fi 802.11g
Device Upgrades: OTA
LED Color: Warm White
Trigger: Automated light sensor
Environmental: Indoor only
Operating Temperature: 14F to 104F (-10C to 40C)



Insert into any Swidget device

Wi-Fi Control + Guide/Night Light Insert

Part #	Description	SLP
L-WI002UWA-1	Swidget Wi-Fi Control + Guide Light Insert, White	\$47.00

WI-FI CONTROL + MOTION SENSOR INSERT



Insert into any Swidget device

Wi-Fi Control + Motion Sensor Insert

Smart Home Savings. With occupancy and vacancy detection, this 2-in-1 Wi-Fi enabled insert makes your space more secure and energy efficient.

Features:

2.4GHz, Wi-Fi 6 router compatible

Wireless Infrared Detection (PIR) Panasonic Motion Sensor

Vacancy timer adjustable between 1-60 minutes

120° detection angle / 10' (3 m) detection range

Easily replaced, no electrician required

Independent power monitoring

Regular wireless upgrades to expand capabilities right from your Swidget App

Works with Amazon Alexa, Google Assistant and IFTTT

2-Year Limited Warranty

Wireless Standard: Wi-Fi 802.11g

Device Upgrades: OTA

Detection Angle: 120 degrees

Detection Range: 10' (3 m)

On Time: Adjustable; 1-60 minutes

Environmental: Indoor Only

Operating Temperature: 14F to 104F (-10C to 40C)

Part #	Description	SLP
L-WI004UWA-1	Swidget Wi-Fi Control + Motion Insert, White	\$58.00

WI-FI CONTROL + USB CHARGER INSERT



Insert into any Swidget device

Wi-Fi Control + USB Charger Insert

Charge it up. The Wi-Fi enabled USB Charger insert provides a standard Type A USB charge to allow for the fast charging of your devices.

Features:

2.4GHz, Wi-Fi 6 router compatible

USB output up to a 2.0A rating

Class 2 output certified

BC1.2 compliant smart charging configuration

Easily replaced, no electrician required

Independent power monitoring

Regular wireless upgrades to expand capabilities right from your Swidget App

Works with Amazon Alexa, Google Assistant and IFTTT

2-Year Limited Warranty

Wireless Standard: Wi-Fi 802.11g

Output Power Rating: 5VDC +/- 5% @ 2A (Class 2)

Device Upgrades: OTA

USB Output Connector: Type A

Smart Charge Detection: BC1.2 Compliant

Environmental: Indoor Only

Operating Temperature: 14F to 104F (-10C to 40C)

Part #	Description	SLP
L-WI001UWA-1	Swidget Wi-Fi Control + USB Insert, White	\$45.00

SPECIAL ORDER INSERTS



Additional special order items available, contact Tresco® or your local sales representative for more information.



WI-FI CONTROL + POWER OUT LIGHT INSERT



WI-FI CONTROL + AIR QUALITY SENSOR INSERT



WI-FI CONTROL + TEMPERATURE, HUMIDITY AND MOTION SENSOR INSERT

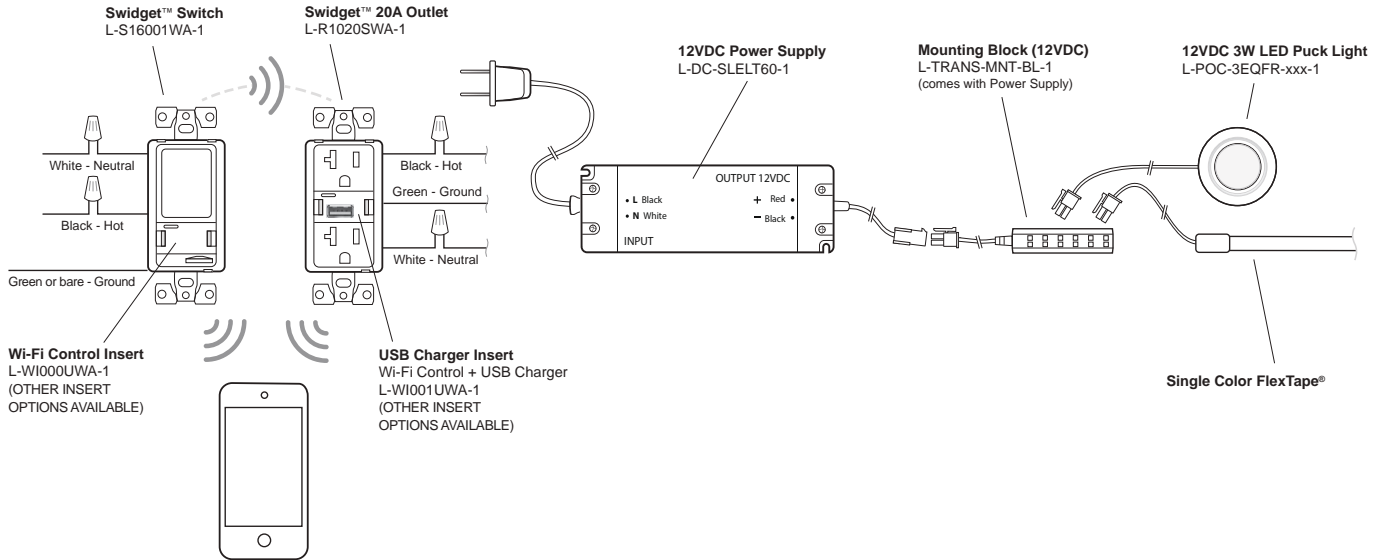


WI-FI CONTROL + TEMPERATURE AND HUMIDITY SENSOR INSERT

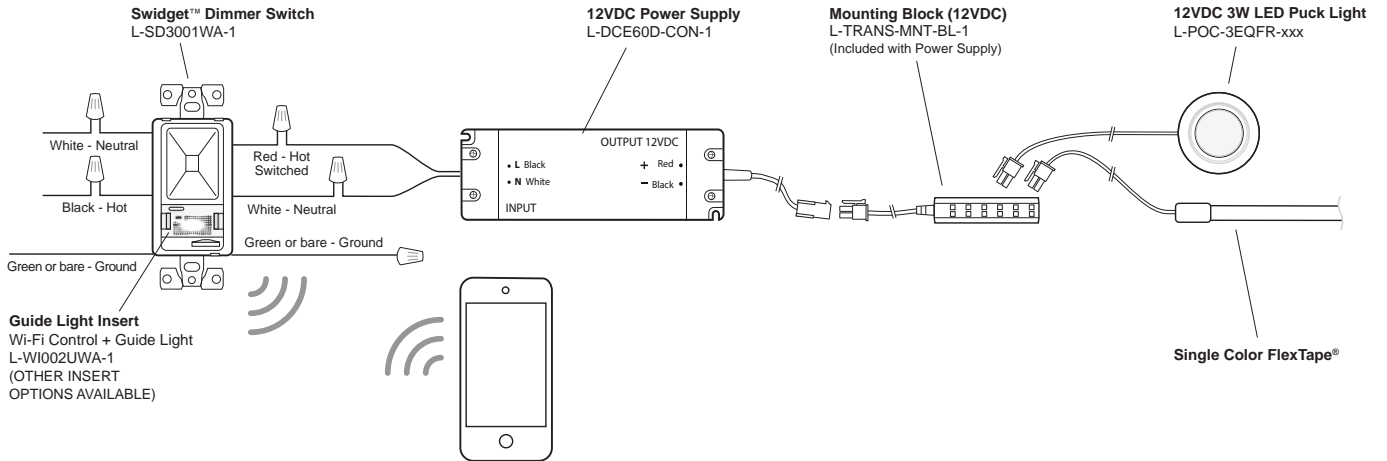


TYPICAL SETUP

PLUG-IN POWER SUPPLY



HARDWIRE POWER SUPPLY



Product Index Guide

3001-18-**-12.....	358	432-BFSC-6C.....	142	448-BBSCWC-5C.....	231	499-18-LWN.....	86
3001-20-**-12.....	358	432-BFSC-9C.....	142	448-BBSCWC-6C.....	231	499-18-RWN.....	86
3001-24-**-12.....	358	432-TF39-6C.....	180	448-BBSCWC-8C.....	231	4ASR-15.....	235
3001-28-**-12.....	358	432-TF45-6C.....	180	448-BBSCWC-9C.....	231	4ASR-15BIN-10.....	235
3071-18-**-52.....	358	432-VF26SC-3.....	271	448-BBSCWC36-5C.....	231	4ASR-18.....	235
3071-20-**-52.....	358	432-VF26SC-6.....	271	448-BBSCWC36-8C.....	231	4ASR-18BIN-10.....	235
3071-24-**-52.....	358	432-VF30SC-3.....	271	448-BC-11C.....	149	4ASR-21.....	235
3071-28-**-52.....	358	432-VF30SC-6.....	271	448-BC-14C.....	149	4ASR-21BIN-10.....	235
3072-04-18-6.....	358	432-WF-3C.....	239	448-BC-5C.....	149	4ASR-25STD-20.....	235
3072-04-6.....	358	432-WF-6C.....	239	448-BC-6C.....	149	4ASR-31STD-20.....	235
3072-18-**-52.....	358	432-WF33-3C.....	239	448-BC-8C.....	149	4ASR-37STD-20.....	235
3072-20-**-52.....	358	432-WF33-6C.....	239	448-BC19SC-5C.....	151	4B-10-8.....	378, 400
3072-24-**-52.....	358	432-WF36-3C.....	239	448-BC19SC-8C.....	151	4B-7-8.....	378, 400
3072-28-**-52.....	358	432-WF36-6C.....	239	448-BCBBSC-5C.....	149	4BM1-04-52.....	400
3073-04-18-431-4.....	358	432-WF39-3C.....	239	448-BCBBSC-8C.....	149	4BM1-18-52.....	400
3073-04-18-436-4.....	358	432-WF39-6C.....	239	448-BCSC-11C.....	151	4BS-10-8.....	379, 380, 400
3073-18-**-531.....	358	432-WF42-3C.....	239	448-BCSC-14C.....	151	4BS-7-8.....	379, 380, 400
3073-18-**-536.....	358	432-WF42-6C.....	239	448-BCSC-5C.....	151	4CDI-18-KCUP-1.....	219
3073-20-**-531.....	358	432-WFBBS30-3C.....	239	448-BCSC-6C.....	151	4CDI-24-KCUP-1.....	219
3073-20-**-536.....	358	432-WFBBS30-6C.....	239	448-BCSC-8C.....	151	4CW2-18SC-1.....	119
3150-11BR.....	243	432-WFBBS33-3C.....	239	448-BCSC-9C.....	151	4CW2-24SC-1.....	119
3150-11CR.....	243	432-WFBBS33-6C.....	239	448-BCSCSD-5C.....	151	4DMCB-15.....	130
3150-11ORB.....	243	432-WFBBS36-3C.....	239	448-BCSCSD-8C.....	151	4DMCB-15P.....	130
3150-11SN.....	243	432-WFBBS36-6C.....	239	448-BDDSC-11C.....	151	4DMCB-18.....	130
3150-16BR.....	243	432-WFBBS39-3C.....	239	448-BDDSC-5C.....	151	4DMCB-18P.....	130
3150-16CR.....	243	432-WFBBS39-6C.....	239	448-BDDSC-8C.....	151	4DPB-2421.....	213
3150-16ORB.....	243	432-WFBBS42-3C.....	239	448-HP-523C.....	231	4DPB-3021.....	213
3150-16SN.....	243	432-WFBBS42-6C.....	239	448-SR11-1.....	149	4DPB-3921.....	213
3150-18BR.....	243	432TB-BFBBS3C.....	135	448-SR8-1.....	149	4DPBG-2421-1.....	213
3150-18CR.....	243	432TB-BFBBS6C.....	135	448-TP43-11-1.....	179	4DPBG-3021-1.....	213
3150-18ORB.....	243	433-BF-9C.....	143	448-TP43-14-1.....	179	4DPBG-3921-1.....	213
3150-18SN.....	243	433-BFBBS3-9C.....	143	448-TP43-5-1.....	179	4DPS-2421.....	213
3250BR.....	243	434-BF-3SS.....	145	448-TP43-8-1.....	179	4DPS-3021.....	213
3250CR.....	243	434-BF-6SS.....	145	448-TP51-11-1.....	179	4DPS-3921.....	213
3250ORB.....	243	434-BFBBS3-3SS.....	145	448-TP51-14-1.....	179	4DPS-PEG-4.....	213
3250SN.....	243	434-BFBBS3-6SS.....	145	448-TP51-5-1.....	179	4DPS-PEG-WN-4.....	213
3401-24-**-12.....	359	434-D3-5.....	145	448-TP51-8-1.....	179	4DPS-WN-2421.....	213
3401-28-**-12.....	359	434-D6-5.....	145	448-TP58-11-1.....	179	4DPS-WN-3021.....	213
3401-32-**-12.....	359	434-PEG3-6.....	145	448-TP58-14-1.....	179	4DPS-WN-3921.....	213
3450-11BR.....	243	434-PEG6-6.....	145	448-TP58-5-1.....	179	4FSCO-18SC-1.....	140
3450-11CR.....	243	434-S3-5.....	145	448-TP58-8-1.....	179	4FSCO-24SC-1.....	140
3450-11ORB.....	243	434-S6-5.....	145	448-VC20SC-8.....	273	4FWI-16SS-1.....	217
3450-11SN.....	243	434-TF39-6SS.....	181	448-VC25SC-8.....	273	4HD-15-1.....	256
3471-24-**-52.....	359	434-TF39R-6SS.....	181	448-WC-5C.....	231	4HDBM2-04-52.....	380, 400
3471-28-**-52.....	359	434-TF45-6SS.....	181	448-WC-8C.....	231	4KCB-18HSC-1.....	209
3471-32-**-52.....	359	434-TF45R-6SS.....	181	448KB-BCSC-11C.....	154	4KCB-21HSC-1.....	209
3472-04-6.....	359	434-WF-3SS.....	248	448KB-BCSC-5C.....	154	4KCB-24HSC-1.....	209
3472-24-**-52.....	359	438-BC-3C.....	146	448KB-BCSC-8C.....	154	4KCB-419HFLSC-1.....	209
3472-28-**-52.....	359	438-BC-6C.....	146	448KB-BCSC-9C.....	154	4MR-18-1.....	233
3472-32-**-52.....	359	438-BCSC-3C.....	146	448KB-BCSC-9C.....	154	4MR-18W-1.....	233
4231-08-52.....	131	438-BCSC-6C.....	146	448OXO-BCSC-8C.....	152	4PIL-18SC-2.....	139, 177
4231-11-52.....	131	441-12VSBSC-1.....	116, 260	448PTH-BCSC-6C.....	118	4PIL-18SC-3.....	139, 177
4231-14-52.....	131	441-15VSBSC-1.....	116, 260	448PTH-BCSC-8C.....	118	4PIL-18SC-SV-2.....	139, 177
4231-20-52.....	131	444-BBSCWC-5SS.....	249	448UT-BCSC-5C.....	153	4PIL-18SC-SV-3.....	139, 177
4235-11-5.....	131	444-BC-8SS.....	147	449-BCSC-10C.....	157	4PIL-21-1.....	139, 177
4235-14-5.....	131	444-BCSC-8SS.....	147	449-BCSC-5C.....	157	4PIL-21-10.....	139, 177
4235-20-5.....	131, 191	444-WC-5SS.....	249	449-BCSC-7C.....	157	4PIL-21-SV-1.....	139, 177
4265-20-50.....	195	445-VBOSC-8C.....	252	449-BCSC-8C.....	157	4PIL-21-SV-10.....	139, 177
4265-22-52.....	191	445-VCG20SC-8.....	272	449KB-BCSC-8C.....	157	4PIL-24SC-2.....	139, 177
432-BF-3C.....	141	445-VCG25SC-8.....	272	449UT-BCSC-10C.....	157	4PIL-24SC-3.....	139, 177
432-BF-6C.....	141	4465-24-50.....	195	449UT-BCSC-5C.....	157	4PIL-24SC-SV-2.....	139, 177
432-BF-9C.....	141	447-BCSC-5C.....	155	449UT-BCSC-7C.....	157	4PIL-24SC-SV-3.....	139, 177
432-BFBBS3-3C.....	141	447-BCSC-8C.....	155	449UT-BCSC-8C.....	157	4PIL-BUTTON-1.....	139, 177
432-BFBBS3-6C.....	141	448-08SC-SRI-1.....	149, 151	486-30VSBSC-BM-1.....	115, 259	4PIL-BUTTON-12.....	139, 177
432-BFSC-3C.....	142	448-11SC-SRI-1.....	151	486-30VSBSC-SM-1.....	115, 259	4SB-10-1.....	401

4SB-10-10.....	401	4WCBM-18DM-2.....	61	4WD-22SH-1.....	221	4WLS401-28-BS52.....	380
4SB-7-1.....	401	4WCBM-2150DM-2.....	61	4WD-22SH-WN-1.....	221	4WLS401-32-52.....	380
4SB-7-10.....	401	4WCBM-2430DM-2.....	61	4WDB-1218SC-1.....	136	4WLS401-32-8.....	380
4SBS-10-1.....	401	4WCCB-18HSC-1.....	208	4WDB-1222SC-1.....	136	4WLS401-32-BS52.....	380
4SBS-10-10.....	401	4WCCB-419HFLSC-1.....	208	4WDB-1522SC-1.....	136	4WLS421-24-52.....	195
4SBS-7-1.....	401	4WCDB-18HFLSC-1.....	203	4WDB-1822SC-1.....	136	4WLS441-24-8.....	380
4SBS-7-10.....	401	4WCDB-18HSC-1.....	203	4WDB-2122SC-1.....	136	4WLS441-28-8.....	380
4SBSU-15.....	109, 129	4WCSC-128-19-1.....	263	4WDB4-18SC-1.....	137	4WLS441-32-8.....	380
4SBSU-18.....	109, 129	4WCSC-1532DM16-1.....	63, 262	4WDB4-24SC-1.....	137	4WLS472-24-52.....	380
4SBSU-21.....	109, 129	4WCSC-1535DM-1.....	63	4WDB4-PIL-18SC-1.....	139, 177	4WLS472-28-52.....	380
4SDI-18.....	218	4WCSC-1535DM19-1.....	63, 262	4WDB4-PIL-24SC-1.....	139, 177	4WLS472-32-52.....	380
4SDI-24.....	218	4WCSC-1550DM-1.....	63	4WDB7-18SC-1.....	137	4WLS6072-04-4.....	378, 379
4SDI-36-1.....	218	4WCSC-1835CK**2.....	39, 63	4WDB7-24SC-1.....	137	4WLS6073-04-436.....	378, 379
4SDI-WN-18-1.....	218	4WCSC-1835DM-2.....	63	4WDB7-PIL-18SC-1.....	139, 177	4WLS6272-04-4.....	380
4SDI-WN-24-1.....	218	4WCSC-1835DMND-2.....	63	4WDB7-PIL-24SC-1.....	139, 177	4WLS882-32-570.....	89, 380
4SH-15-1.....	255	4WCSC-2135DM-2.....	63	4WDKB-1.....	220	4WLS882-35-570.....	89, 380
4SOWC-8-1.....	72, 262	4WCSC-2150DM-2.....	63	4WDKB-WN-1.....	220	4WLS882-38-570.....	89, 380
4SPBD-15.....	109, 129	4WCSC-CK**1.....	39, 63	4WDP18-45.....	183	4WLS901-24-52.....	381
4SPBD-18.....	109, 129	4WCSD-1535DM-1.....	63	4WDP18-51.....	183	4WLS901-24-8.....	381
4SR-15.....	234	4WCSD-1550DM-1.....	63	4WDP18-57*.....	183	4WLS901-2433-8.....	381
4SR-18.....	234	4WCSD-1835DM-2.....	63	4WFR-15-1.....	237	4WLS901-28-52.....	381
4SR-21.....	234	4WCSD-2150DM-2.....	63	4WFR-18-1.....	237	4WLS901-28-8.....	381
4TMBIN-15-6.....	45	4WCT-1.....	215	4WFR-21-1.....	237	4WLS901-31-52.....	381
4TMBIN-17-6.....	45	4WCT-1SH.....	215	4WH-RM-15DM-1.....	270	4WLS901-31-8.....	381
4TMBIN-6.....	45	4WCT-3.....	215	4WH-VCSC-21DM-1.....	263, 334	4WLS940-04P-24-4.....	381
4TT-2133-1.....	211	4WCT-3SH.....	215	4WKB-1.....	221	4WLS940-04P-28-4.....	381
4VCOS-22-1.....	254	4WCT-WN-1SH.....	215	4WLS001-10-B52.....	378	4WLS940-04P-31-4.....	381
4VDO-12SC-1.....	210, 258	4WCT-WN-3SH.....	215	4WLS001-18-52.....	378	4WLS942-2433-52.....	381
4VDO-15SC-1.....	210, 258	4WCTM-12BBSCDM1.....	68	4WLS001-18-8.....	378	4WLS942-24P-52.....	381
4VDO-18SC-1.....	210, 258	4WCTM-12CK**SCDM1.....	39, 68	4WLS001-18-B52.....	378	4WLS942-28P-52.....	381
4VDO-267FLSC-1.....	210, 258	4WCTM-12DM1.....	68	4WLS001-20-52.....	378	4WLS942-31P-52.....	381
4VDO-343FLSC-1.....	210, 258	4WCTM-12DM1-162.....	68	4WLS001-20-8.....	378	4WP18-45-KIT.....	183
4VDO-419FLSC-1.....	210, 258	4WCTM-12DM1-175.....	68	4WLS001-20-B52.....	378	4WP18-51-KIT.....	183
4VDOHT-12SC-1.....	210, 258	4WCTM-12DM1-343-FL.....	68	4WLS001-22-8.....	378	4WP18-57-KIT.....	183
4VDOHT-15SC-1.....	210, 258	4WCTM-12INDM-1.....	68	4WLS001-28-52.....	378	4WSP18-45.....	183
4VDOHT-18SC-1.....	210, 258	4WCTM-1516DM-1.....	68	4WLS001-28-8.....	378	4WSP18-51.....	183
4VDOHT-267FLSC-1.....	210, 258	4WCTM-1550BBSCDM-1.....	68	4WLS001-28-B52.....	378	4WSP18-57*.....	183
4VDOHT-343FLSC-1.....	210, 258	4WCTM-1550DM-1.....	68	4WLS001-32-52.....	378	4WTCD-15H-1.....	205
4VDOHT-419FLSC-1.....	210, 258	4WCTM-1550DM1-343-FL.....	68	4WLS001-32-8.....	378	4WTCD-15HSC-1.....	205
4VDOT-12SC-1.....	210, 258	4WCTM-15BBSCDM2.....	68	4WLS001-32-B52.....	378	4WTCD-18H-1.....	205
4VDOT-15SC-1.....	210, 258	4WCTM-15DM2.....	68	4WLS041-18-8.....	378	4WTCD-18H-KCUP-1.....	207
4VDOT-18SC-1.....	210, 258	4WCTM-15DM2-162.....	68	4WLS041-20-8.....	378	4WTCD-18HSC-1.....	205
4VDOT-267FLSC-1.....	210, 258	4WCTM-15DM2-343-FL.....	68	4WLS041-28-8.....	378	4WTCD-18HSC-KCUP-1.....	207
4VDOT-343FLSC-1.....	210, 258	4WCTM-1816DM-1.....	68	4WLS041-32-8.....	378	4WTCD-21H-1.....	205
4VHTM-1520DM-1.....	264	4WCTM-1818DM-1-162.....	68	4WLS072-18-52.....	378	4WTCD-21HSC-1.....	205
4VLWCSC-1535DM-1.....	65	4WCTM-1850DM-1.....	68	4WLS072-20-52.....	378	4WTCD-24H-1.....	205
4VLWCSC-1550DM-1.....	65	4WCTM-1850DM2-419-FL.....	68	4WLS072-22-52.....	378	4WTCD-24HSC-1.....	205
4VLWCSC-1835DM-2.....	65	4WCTM-18BBSCDM2.....	68	4WLS072-28-52.....	378	4WTCD-30H-1.....	206
4VLWCSC-2135DM-2.....	65	4WCTM-18CK**SCDM2.....	39, 68	4WLS072-32-52.....	378	4WTCD-30HSC-1.....	206
4VLWCSC-2150DM-2.....	65	4WCTM-18DM2.....	68	4WLS073-18-536.....	378	4WTCD-343HFL-1.....	205
4VOD-18FLSC-1.....	253	4WCTM-18DM2-162.....	68	4WLS073-20-536.....	378	4WTCD-343HFLSC-1.....	205
4VOD-18SC-1.....	253	4WCTM-18DM2-175.....	68	4WLS201-20-52.....	379	4WTCD-36H-1.....	206
4VR-12-1.....	133, 261	4WCTM-18DM2-419-FL.....	68	4WLS201-20-8.....	379	4WTCD-36HSC-1.....	206
4VR-15-1.....	133, 261	4WCTM-18INDM-2.....	68	4WLS201-20-BS52.....	379	4WTCD-419HFL-1.....	205
4VR-18-1.....	133, 261	4WCTM-18INDM-2.....	68	4WLS201-20-BS8.....	379	4WTCD-419HFLSC-1.....	205
4VR-21-1.....	133, 261	4WCTM-2150BBSCDM-2.....	68	4WLS201-22-BS52.....	379	4WTCD-495HFL-1.....	205
4VR-24-1.....	133, 261	4WCTM-2150DM-2.....	68	4WLS201-22-BS8.....	379	4WTCD-495HFLSC-1.....	205
4WBDP18-25.....	132	4WCTM-21DM2.....	68	4WLS201-31-52.....	379	4WTCD-572HFL-1.....	205
4WBP18-25-KIT.....	132	4WCTM-21DM2-162.....	68	4WLS201-31-8.....	379	4WTCD-572HFLSC-1.....	205
4WBSP18-25.....	132	4WCTM-21DM2-495-FL.....	68	4WLS201-31-B52.....	379	4WTCD-724HFL-1.....	206
4WC-15DM1.....	58	4WCTM-2450BBSCDM-2.....	68	4WLS201-31-B58.....	379	4WTCD-724HFLSC-1.....	206
4WC-18DM2.....	58	4WCTM-24DM2.....	68	4WLS221-20-52.....	195	4WTCD-876HFL-1.....	206
4WC-24DM2-SC.....	58	4WCTM-24DM2-162.....	68	4WLS241-20-8.....	379	4WTCD-876HFLSC-1.....	206
4WC-TOKIT-12.....	59, 63, 73	4WCTM-27-4.....	68	4WLS241-31-8.....	379	4WTCD-30HSC-1.....	202
4WC-TOKIT-15.....	59, 63, 73	4WCTM-27-4-597-FL.....	68	4WLS272-20-52.....	379	4WTCD-36HSC-1.....	202
4WC-TOKIT-18.....	59, 63, 73	4WCTM-RM-1835DM-1.....	69	4WLS272-22-52.....	379	4WTCD-724HFLSC-1.....	202
4WC-WN-1550DM1-SC.....	59	4WCTM-RM-1850DM-1.....	69	4WLS272-31-52.....	379	4WTCD-876HFLSC-1.....	202
4WC-WN-15DM1-SC.....	59	4WCTM-RM-2135DM-2.....	69	4WLS273-20-536.....	379	4WTMD-24HSC-1.....	201
4WC-WN-18DM2-SC.....	59	4WCTM-RM-2150DM-2.....	69	4WLS401-24-52.....	380	4WUT-1.....	217
4WC-WN-2150DM2-SC.....	59	4WCTM-SP-KIT.....	68	4WLS401-24-8.....	380	4WUT-1SH.....	217
4WCBM-1550DM-1.....	61	4WCTM-WNRM-1850DM-1.....	69	4WLS401-28-52.....	380	4WUT-3.....	217
4WCBM-15DM-1.....	61	4WCTM-WNRM-2150DM-2.....	69	4WLS401-28-8.....	380	4WUT-3SH.....	217

4WUT-WN-1SH.....	217	53472-32MP-1.....	392	53PSP3-18SC**.....	85	582-18-LMP.....	81
4WUT-WN-3SH.....	217	5349-1527DM-2.....	53	53TM-1835GSCDM2-FL.....	56	582-18-RMP.....	81
4WV-15MP.....	134	5349-1527DM-217.....	53	53TM-1850GSCDM2-FL.....	56	5881-33CR-1.....	91, 396
4WV-15WN.....	134	5349-1550DM-1.....	53	53TM-18GSCDM3-FL.....	56	596-10CR-52.....	122, 240
4WV-18MP.....	134	5349-1550DM-117.....	53	53TM-24GSCDM4-FL.....	56	597-12-10.....	123, 241
4WV-18WN.....	134	5349-15CK**-1.....	39, 53	53TMVH-24SCDM-2-FL.....	265	597-12-52.....	123, 241
5149-1527DM-211.....	51	5349-15DM-1.....	53	53WC-1527SCDM-212.....	55	597-12CR-10.....	123, 241
5149-1527DM-217.....	51	5349-15DM-117.....	53	53WC-1527SCDM-213.....	55	597-12CR-52.....	123, 241
5149-1550DM-111.....	51	5349-15DM18-1.....	53	53WC-1527SCDM-217.....	55	597-18-10.....	123
5149-1550DM-117.....	51	5349-15DM18-117.....	53	53WC-1535SCDM-112.....	55	597-18-52.....	123
5149-15DM-111.....	51	5349-18CK**2.....	39, 53	53WC-1535SCDM-113.....	55	597-18CR-10.....	123
5149-15DM-117.....	51	5349-18DM-2.....	53	53WC-1535SCDM-117.....	55	597-18CR-52.....	123
5149-15DM18-111.....	51, 275	5349-18DM-217.....	53	53WC-1550SCDM-112.....	55	599-18-LMP.....	87
5149-15DM18-117.....	51, 275	5349-2150DM-2.....	53	53WC-1550SCDM-113.....	55	599-18-RMP.....	87
5149-18DM-211.....	51	5349-2150DM-217.....	53	53WC-1550SCDM-117.....	55	5BBSC-WMDM24-C.....	57
5149-18DM-217.....	51	5350-08**.....	187	53WC-1835SCDM-212.....	55	5BBSC-WMDM24-W.....	57
5149-2150DM-211.....	51	5350-10**.....	187	53WC-1835SCDM-213.....	55	5CC-9155-11-1.....	95
5149-2150DM-217.....	51	5350-13**.....	187	53WC-1835SCDM-217.....	55	5CC-9155-13-1.....	95
5190-15RM-111.....	268	5350-16**.....	187	53WC-2150SCDM-212.....	55	5CC-9155-18-1.....	95
5190-15RM-117.....	268	5350-19**.....	187	53WC-2150SCDM-213.....	55	5CCSO12-11-1.....	94
5190-LINER.....	268	5358-08**.....	187	53WC-2150SCDM-217.....	55	5CCSO12-13-1.....	94
5225-09-MP.....	165	5358-10**.....	187	544-10C-1.....	110	5CCSO12-18-1.....	94
5258-09-MP.....	185	5358-13**.....	187	5472-28 CR.....	395	5CHB-LINER.....	269, 336
5258-14-MP.....	185	5358-16**.....	187	5472-32 CR.....	395	5CW2-1222-CR.....	128
5272-20 CR.....	394	5358-19**.....	187	548-06CR-1.....	125	5CW2-1222SC-CR.....	128
5272-32 CR.....	394	5365-08-FOG.....	236	548-10CR-1.....	108	5CW2-2122-CR.....	128
5273-09-MP.....	185	5365-10-FOG.....	236	548-BC-8C.....	165	5CW2-2122SC-CR.....	128
5273-14-MP.....	185	5365-14-FOG.....	236	563-32.....	96	5DCD-1-CR.....	213
5273-20-536 CR.....	394	5371-15**L.....	79	563-32 C.....	96	5DCH-2-1-CR.....	213
53-401-32BSFOG-1.....	392	5371-15**R.....	79	563-47.....	96	5DLD-1-CR.....	213
53-401-32BSGR-1.....	392	5371-15-FOG-L.....	77	563-47 C.....	96	5KCUP-432-1.....	239
53-401-32BSMP-1.....	392	5371-15-FOG-R.....	77	563-51-C.....	96	5LB-12300GMP-113.....	49
5322-BCSC-11-GR.....	159	5371-18**L.....	79	565-10-52.....	236	5LB-12300GWN-113.....	49
5322-BCSC-11-MP.....	159	5371-18**R.....	79	565-14-52.....	236	5LB-1230SSBL-118.....	49
5322-BCSC-5-GR.....	159	5371-18-FOG-L.....	77	565-8-52.....	236	5LB-15350GMP-113.....	49
5322-BCSC-5-MP.....	159	5371-18-FOG-R.....	77	57-EXTEND-1.....	187, 189	5LB-15350GWN-113.....	49
5322-BCSC-6-FOG.....	159	5371-21**L.....	79	5707-15CR.....	88	5LB-1535SSBL-118.....	49
5322-BCSC-6-GR.....	159	5371-21**R.....	79	5707-18CR.....	88	5LB-15500GMP-113.....	49
5322-BCSC-6-MP.....	159	5371-21-FOG-L.....	77	5708-15CR.....	232	5LB-15500GWN-113.....	49
5322-BCSC-8-GR.....	159	5371-21-FOG-R.....	77	5722-36CR.....	190	5LB-1550SSBL-118.....	49
5322-BCSC-8-MP.....	159	5371-SC-KIT-1.....	77, 79	5730-12CR.....	167	5LB-18350GMP-213.....	49
5322-BCSC-9-FOG.....	159	5372-15**L.....	79	5730-15CR.....	167	5LB-18350GWN-213.....	49
5322-BCSC-9-GR.....	159	5372-15**R.....	79	5730-21CR.....	167	5LB-1835SSBL-218.....	49
5322-BCSC-9-MP.....	159	5372-15-FOG-L.....	77	5730-33CR.....	167	5LB-18500GMP-213.....	49
5322KB-BCSC-11-GR.....	161	5372-15-FOG-R.....	77	5743-04-CR-1.....	189	5LB-18500GWN-213.....	49
5322KB-BCSC-11-MP.....	161	5372-18**L.....	79	5743-08-CR-1.....	189	5LB-1850SSBL-218.....	49
5322KB-BCSC-6-FOG.....	161	5372-18**R.....	79	5743-10-CR-1.....	189	5LB-TOKIT-12.....	49, 73
5322KB-BCSC-6-GR.....	161	5372-18-FOG-L.....	77	5743-14-CR-1.....	189	5LB-TOKIT-15.....	49, 73
5322KB-BCSC-6-MP.....	161	5372-18-FOG-R.....	77	5743-16-CR-1.....	189	5LB-TOKIT-18.....	49, 73
5322KB-BCSC-8-GR.....	161	5372-21**L.....	79	5743-20-CR-1.....	189	5LBSD-KIT-1.....	49
5322KB-BCSC-8-MP.....	161	5372-21**R.....	79	5750-04-CR-1.....	189	5LSF018-8CR.....	396
5322KB-BCSC-9-GR.....	161	5372-21-FOG-L.....	77	5750-08-CR-1.....	189	5LSF018-CR.....	396
5322KB-BCSC-9-MP.....	161	5372-21-FOG-R.....	77	5750-10-CR-1.....	189	5LSF020-8CR.....	396
5322UT-BCSC-6-FOG.....	163	5372-SC-KIT-2.....	77, 79	5750-14-CR-1.....	189	5LSF020-CR.....	396
5322UT-BCSC-6-GR.....	163	5373-08**.....	187	5750-16-CR-1.....	189	5LSF028-8CR.....	396
5322UT-BCSC-6-MP.....	163	5373-10**.....	187	5750-20-CR-1.....	189	5LSF028-CR.....	396
5322UT-BCSC-8-GR.....	163	5373-13**.....	187	5758-04-CR-1.....	189	5LSF032-8CR.....	396
5322UT-BCSC-8-MP.....	163	5373-16**.....	187	5758-08-CR-1.....	189	5LSF032-CR.....	396
5330-12BCSC**.....	169	5373-19**.....	187	5758-10-CR-1.....	189	5LSF424-8CR.....	396
5330-15BCSC**.....	169	5374-18FL-FOG.....	184	5758-14-CR-1.....	189	5LSF424-CR.....	396
5330-21BCSC**.....	169	5374-24FL-FOG.....	184	5758-16-CR-1.....	189	5LSF428-8CR.....	396
5330-33BCSC**.....	169	5375-40WR-1CR.....	164	5758-20-CR-1.....	189	5LSF428-CR.....	396
5330-33BCSCFL-FOG.....	169	5386-30BCSC**.....	113	5773-04-CR-1.....	189	5LSF432-8CR.....	396
5343-08**.....	187	5386-30BCSCFL-FOG.....	113	5773-08-CR-1.....	189	5LSF432-CR.....	396
5343-10**.....	187	5386-33BCSC**.....	113	5773-10-CR-1.....	189	5SPD-24CRN.....	245
5343-13**.....	187	5386-33BCSCFL-FOG.....	113	5773-14-CR-1.....	189	5PD-24FOG.....	245
5343-16**.....	187	53PSP-15SC**.....	85	5773-16-CR-1.....	189	5PD-36CRN.....	245
5343-19**.....	187	53PSP-15SC-FOG.....	85	5773-20-CR-1.....	189	5PD-36FOG.....	245
5345-DM-KIT-1.....	53	53PSP-18SC**.....	85	5786-30CR.....	114	5PSP-15-CR.....	83
53472-32FOG-1.....	392	53PSP-18SC-FOG.....	85	5786-33CR.....	114	5PSP-15SC-CR.....	83
53472-32GR-1.....	392	53PSP3-15SC**.....	85	5789CR.....	167	5PSP-18-CR.....	83

5PSP-18SC-CR.....	83	6072-04-52.....	398	65*1-31-5.....	105	6882-04-52.....	402
5PSP3-15SC-CR.....	83	6072-16-**52.....	363	6541-36-**4.....	103	6882-1008-04-52.....	90, 365, 402
5PSP3-18SC-CR.....	83	6072-18-**52.....	363	6541-36-**50.....	103	6882-31-**570.....	90, 365
5SBWC-815S-1.....	72, 111, 276	6072-20-**52.....	363	6541-36-**52.....	103	6882-33-**570.....	90, 365
5SBWCC-8S-1.....	111, 276	6072-24-**52.....	363	6541-36-**ETH.....	103	6882-39-**570.....	90, 365
5UPD-24CRN.....	247	6072-28-**52.....	363	6541-36SC-11-50.....	104	6901-24-**4.....	364
5WB-DMKIT.....	72, 95, 111, 127, 128, 276	6072-32-**52.....	363	6541-36SC-15-50.....	104	6901-28-**4.....	364
5WB1-0918CR-1.....	127	6073-04-536.....	398	6542-11-**4.....	103	6940-04-28P-4.....	372, 399
5WB1-1218CR-1.....	127	6073-18-**536.....	363	6542-11.**52.....	103	6940-04-28P-52.....	399
5WB1-1220CR-1.....	127	6073-20-**536.....	363	6542-14.**4.....	103	6942-04-28-4.....	364
5WB1-1222CR-1.....	127	6221-20-**52.....	194, 363	6542-14.**52.....	103	6942-04-28-52.....	399
5WB1-1520CR-1.....	127	6221-22-**52.....	363	6542-97.**4.....	103	6942-04-4.....	364
5WB1-1522CR-1.....	127	6230-MB-11-1.....	99, 131	6542-ETH.**10.....	103	6942-24.**52.....	364
5WB1-1820CR-1.....	127	6232-08-**52.....	99	6551-36.**50.....	101	6942-28.**52.....	364
5WB1-1822CR-1.....	127	6232-14.**52.....	99	6551-36.**52.....	101	6950-07P-52.....	399
5WB1-2120CR-1.....	127	6232-20-**52.....	99	6551-36.**ETH.....	101	7001-20.**4.....	362
5WB1-2122CR-1.....	127	6232-26-4528-52.....	99, 131, 193	6551-36SC-11-50.....	104	7012-20.**52.....	362
5WB1-2422CR-1.....	127	6232-58-4528-52.....	99, 131, 191, 192	6551-36SC-15-50.....	104	7013-20.**526.....	362
5WB2-0918CR-1.....	127	6235-08.**52.....	99	6552-94-0220-4.....	107	8-010212-14.....	70, 274, 323
5WB2-0922CR-1.....	127	6235-14.**52.....	99, 193	6552-95-0220-4.....	107	8-010314-15.....	70, 274, 323
5WB2-1218CR-1.....	127	6235-20.**52.....	99, 192	6552-97.**4.....	101	8-010412-15.....	70, 274, 323
5WB2-1222CR-1.....	127	6260-38-1.....	399	6552-ETH.**10.....	101	8-060-11SS.....	73
5WB2-1522CR-1.....	127	6265-04-52.....	399	6552-ETH-10.....	107	8-060-15SS.....	73
5WB2-1822CR-1.....	127	6265-20.**50.....	194	6561-11.**4.....	102	8-700411-20.....	70, 274
5WB2-2122CR-1.....	127	6265-22.**52.....	192	6561-14.**4.....	102	8-785-30-2SS.....	71
5WB2-2422CR-1.....	127	6271-20.**52.....	363	6562-11.**52.....	102	8-785-30-DM2SS.....	71
5WBR-18CR-1.....	175	6271-22.**52.....	363	6562-14.**52.....	102	BDC-200.**.....	225
5WBR-18CR-5.....	175	6272-04-52.....	399	6571-36.**4.....	101, 237	BDC-200-20.....	225
5WBR-24CR-1.....	175	6272-20.**52.....	363	6571-60-52.....	101, 237	BDC24.**.....	225
5WBR-24CR-5.....	175	6272-22.**52.....	363	6571-61-52.....	101, 237	BDC24-20.....	225
5WBR-30CR-1.....	175	6273-20.**536.....	363	6571-72.**4.....	101, 237	BM1-04-52.....	363, 364, 400
5WBR-30CR-5.....	175	6273-22.**536.....	363	6572-11.**4.....	102	BM1-18-52.....	363, 364, 400
5WCOR-18CR-1.....	174	6360-05-7008-26-52.....	399	6572-11.**52.....	102	BM1-VL-04-52.....	358, 359, 363, 400
5WCOR-24CR-1.....	174	6370-96-7008-26-52.....	194, 195, 399	6572-14.**4.....	102	BM1-VL-18-52.....	358, 359, 363, 400
5WCOR-30CR-1.....	174	6421-18.**52.....	194, 364	6572-14.**52.....	102	BM1-VL-18-LHUB-12.....	359
5WSCR-18CR-1.....	175	6421-24.**52.....	194, 364	6581-11.**4.....	102	BM1-VL-18-LHUB-6.....	400
5WSCR-18CR-5.....	175	6421-28.**52.....	364	6581-14.**4.....	102	BM1-VL-18-SHUB-6.....	400
5WSCR-24CR-1.....	175	6421-32.**52.....	364	6581-25SC-52.....	104	BM1-VL-4-LHUB-12.....	358, 359, 400
5WSCR-24CR-5.....	175	6465-18.**50.....	194	6581-28SC-52.....	104	BM1-VL-4-SHUB-12.....	358, 400
5WSCR-30CR-1.....	175	6465-24.**50.....	194	6581-31SC-52.....	104	BRC-12CR.....	303
5WSCR-30CR-5.....	175	6470-96-4008-26-52.....	399	6591-10-6.....	105	BRC-12NS-CR.....	306
6000-05-7200-2-52.....	398	6471-18.**52.....	364	6591-11.**4.....	102	BRC-12NS-ORB.....	306
6000-07P-52.....	398	6471-24.**52.....	364	6591-11-6.....	105	BRC-12NS-SN.....	306
6000-37-52.....	398	6471-28.**52.....	364	6591-13-6.....	105	BRC-12ORB.....	303
6001-18.**4.....	362	6471-32.**52.....	364	6591-14.**4.....	102	BRC-12SN.....	303
6001-20.**4.....	362	6472-18.**52.....	364	6591-14-6.....	105	BRC-14CR.....	303
6001-24.**4.....	362	6472-24.**4S.....	364	6591-16-6.....	105	BRC-14ORB.....	303
6001-28.**4.....	362	6472-24.**52.....	364	6591-19-6.....	105	BRC-14SN.....	303
6012-18.**52.....	362	6472-28.**4S.....	364	6591-22-6.....	105	BRCPOS1-14-BZ-1.....	296
6012-20.**52.....	362	6472-28.**52.....	364	6591-25-6.....	105	BRCPOS1-14-CR-1.....	296
6012-24.**52.....	362	6472-32.**4S.....	364	6591-28-6.....	105	BRCPOS1-14-SN-1.....	296
6012-28.**52.....	362	6472-32.**52.....	364	6591-31-6.....	105	BRCSL-14NS-CR-1.....	304
6013-18.**526.....	362	65*1-10-4.....	105	6621-16.**52.....	363	CA-LGORG-1.....	343
6013-20.**526.....	362	65*1-10-5.....	105	6621-18.**52.....	363	CA-NECKLACE-1.....	343
6020-04P-4.....	398	65*1-11-4.....	105	6621-20.**52.....	363	CA-SMORG-1.....	343
6020-04P-426.....	398	65*1-11-5.....	105	6621-24.**52.....	363	CB-181207CR*.....	284
6020-04P-52.....	398	65*1-13-4.....	105	6621-28.**52.....	363	CB-181211CR*.....	284
6020-96-3100-2.....	398	65*1-13-5.....	105	6621-32.**52.....	363	CB-181218CR*.....	284
6020-96-3600-2.....	398	65*1-14-4.....	105	6700-61-13-52.....	45	CB-181407CR*.....	284
6022-04-4.....	362, 398	65*1-14-5.....	105	6700-61-15-52.....	45	CB-181411CR*.....	284
6022-04-426.....	362, 398	65*1-16-4.....	105	6700-61-17-52.....	45	CB-181418CR*.....	284
6022-04-52.....	398	65*1-16-5.....	105	6700-61-18-52.....	45	CB-181607CR*.....	284
6022-04-52-526.....	398	65*1-19-4.....	105	6700-61-6.....	45	CB-181611CR*.....	284
6065-16.**52.....	193	65*1-19-5.....	105	6841-04-52.....	402	CB-181618CR*.....	284
6065-18.**52.....	193	65*1-22-4.....	105	6842-04-570.....	402	CB-182007CR*.....	284
6071-16.**52.....	363	65*1-22-5.....	105	6842-31.**570.....	90, 365	CB-182011CR*.....	284
6071-18.**52.....	363	65*1-25-4.....	105	6842-33.**570.....	90, 365	CB-182018CR*.....	284
6071-20.**52.....	363	65*1-25-5.....	105	6842-39.**570.....	90, 365	CB-241207CR*.....	284
6071-24.**52.....	363	65*1-28-4.....	105	6881-31.**52.....	90, 365	CB-241211CR*.....	284
6071-28.**52.....	363	65*1-28-5.....	105	6881-33.**52.....	90, 365	CB-241218CR*.....	284
6071-32.**52.....	363	65*1-31-4.....	105	6881-39.**52.....	90, 365	CB-241407CR*.....	284

CB-241411CR*	284	CBL-301407-T*	288	CBSL-301417BZ*	291	CRCSL-BZ-1	305
CB-241418CR*	284	CBL-301411-B*	287	CBSL-301417CR*	291	CRCSL-CR-1	305
CB-241607CR*	284	CBL-301411-T*	288	CBSL-301417SN*	291	CRCSL-SN-1	305
CB-241611CR*	284	CBL-301418-B*	287	CBSR-12-CR	302	CROIBSL-14-SM-1	329
CB-241618CR*	284	CBL-301418-T*	288	CBSR-14-CR	302	CROIBSL-COVER-52	329
CB-242007CR*	284	CBL-301607-B*	287	CBSR-14-ORB	302	CRSL-96-BZ-1	305
CB-242011CR*	284	CBL-301607-T*	288	CBSR-14-SN	302	CRSL-96-CR-1	305
CB-242018CR*	284	CBL-301611-B*	287	CDR-21A-A	225	CRSL-96-SN-1	305
CB-301207CR*	284	CBL-301611-T*	288	CDR-21C-A	225	CSFRSL-14-CR-1	304
CB-301211CR*	284	CBL-301618-B*	287	CDR-21W-A	225	CSOHS-18-1	280
CB-301218CR*	284	CBL-301618-T*	288	CH-241419-RM-211	269, 336	CSOHS-24-1	280
CB-301407CR*	284	CBLSL-181405-T-1	292	CH-241419-RM-217	269, 336	CSOHS-30-1	280
CB-301411CR*	284	CBLSL-181410-T-1	292	CHBI-241418*	286	CSPD-14	323
CB-301418CR*	284	CBLSL-181417-T-1	292	CHBI-241618*	286	CSPD-6	323
CB-301607CR*	284	CBLSL-241405-T-1	292	CHBI-242018*	286	CSR-17CR-10	322
CB-301611CR*	284	CBLSL-241410-T-1	292	CHBI-301418*	286	CSR-17ORB-10	322
CB-301618CR*	284	CBLSL-241417-T-1	292	CHBI-301618*	286	CSR-17SN-10	322
CBL-181207-B*	287	CBLSL-301405-T-1	292	CHDSL-8128-BZ-1	339	CSR-23CR-10	322
CBL-181207-T*	288	CBLSL-301410-T-1	292	CHDSL-8128-BZ-25	339	CSR-23ORB-10	322
CBL-181211-B*	287	CBLSL-301417-T-1	292	CHDSL-8128-SN-1	339	CSR-23SN-10	322
CBL-181211-T*	288	CBM-181407-P*	289	CHDSL-8128-SN-25	339	CSR-29CR-10	322
CBL-181218-B*	287	CBM-181411-P*	289	CHDSL-896-BZ-1	339	CSR-29ORB-10	322
CBL-181218-T*	288	CBM-181418-P*	289	CHDSL-896-BZ-25	339	CSR-29SN-10	322
CBL-181407-B*	287	CBM-181607-P*	289	CHDSL-896-SN-1	339	CSR-35CR-10	322
CBL-181407-T*	288	CBM-181611-P*	289	CHDSL-896-SN-25	339	CSR-35ORB-10	322
CBL-181411-B*	287	CBM-181618-P*	289	CHDSL-9128-BZ-1	339	CSR-35SN-10	322
CBL-181411-T*	288	CBM-241407-P*	289	CHDSL-9128-BZ-25	339	CSRSL-18BZ-10	321
CBL-181418-B*	287	CBM-241411-P*	289	CHDSL-9128-SN-1	339	CSRSL-18CR-10	321
CBL-181418-T*	288	CBM-241418-P*	289	CHDSL-9128-SN-25	339	CSRSL-18SC-10	321
CBL-181607-B*	287	CBM-241607-P*	289	CHDSL-996-BZ-1	339	CSRSL-18SN-10	321
CBL-181607-T*	288	CBM-241611-P*	289	CHDSL-996-BZ-25	339	CSRSL-24BZ-10	321
CBL-181611-B*	287	CBM-241618-P*	289	CHDSL-996-SN-1	339	CSRSL-24CR-10	321
CBL-181611-T*	288	CBM-301407-P*	289	CHDSL-996-SN-25	339	CSRSL-24SC-10	321
CBL-181618-B*	287	CBM-301411-P*	289	CIB-16CR	333	CSRSL-24SN-10	321
CBL-181618-T*	288	CBM-301418-P*	289	CJD-2414	342	CSRSL-30BZ-10	321
CBL-182007-B*	287	CBM-301607-P*	289	CJD-24IN	342	CSRSL-30CR-10	321
CBL-182007-T*	288	CBM-301611-P*	289	CJD-24IS	342	CSRSL-30SC-10	321
CBL-182011-B*	287	CBM-301618-P*	289	CJD-DMB-KIT	342, 343	CSRSL-30SN-10	321
CBL-182011-T*	288	CBMSL-181405-P-1	292	CK-1117.**-1	39, 41, 45, 53, 63	CSRSL-36BZ-10	321
CBL-182018-B*	287	CBMSL-181410-P-1	292	CKBSL-31-BZ-1	339	CSRSL-36CR-10	321
CBL-182018-T*	288	CBMSL-241405-P-1	292	CKBSL-31-BZ-25	339	CSRSL-36SC-10	321
CBL-241207-B*	287	CBMSL-241410-P-1	292	CKBSL-31-SN-1	339	CSRSL-36SN-10	321
CBL-241207-T*	288	CBMSL-301405-P-1	292	CKBSL-31-SN-25	339	CSSL-HK-BZ-1	339
CBL-241211-B*	287	CBMSL-301410-P-1	292	CLSZ-M1-1	345	CSSL-HK-BZ-100	339
CBL-241211-T*	288	CBMSL-301410-P-1	292	CLSZ-M3-55-1	345	CSSL-HK-CR-1	339
CBL-241218-B*	287	CBMSL-301410-P-1	292	CLSZ-M5-96-1	345	CSSL-HK-CR-100	339
CBL-241218-T*	288	CBMSL-301410-P-1	292	CLSZ-W1-1	345	CSSL-HK-SC-1	339
CBL-241407-B*	287	CBMSL-301410-P-1	292	CLSZ-W3-55-1	345	CSSL-HK-SC-100	339
CBL-241407-T*	288	CBMSL-301410-P-1	292	CLSZ-W5-96-1	345	CSSL-HK-SN-1	339
CBL-241411-B*	287	CBMSL-301410-P-1	292	CLVSL-BZ-1	313	CSSL-HK-SN-100	339
CBL-241411-T*	288	CBMSL-301410-P-1	292	CLVSL-CR-1	313	CSWBRS-14-BZ-1	298
CBL-241418-B*	287	CBMSL-301410-P-1	292	CLVSL-SN-1	313	CSWBRS-14-CR-1	298
CBL-241418-T*	288	CBMSL-301410-P-1	292	CMSL-1424-SM-1	325	CSWBRS-14-SC-1	298
CBL-241607-B*	287	CBMSL-301410-P-1	292	CMSL-1448-BZ-1	325	CSWBRS-14-SN-1	298
CBL-241607-T*	288	CBMSL-301410-P-1	292	CMSL-1448-SM-1	325	CSWBRS-14-SM-1	331
CBL-241611-B*	287	CBMSL-301410-P-1	292	CMTWSL-1448-SM-1	325	CSWBRS-14-SM-1	331
CBL-241611-T*	288	CBMSL-301410-P-1	292	CO-03S-1	174	CSWBRS-14-SM-1	331
CBL-241618-B*	287	CBMSL-301410-P-1	292	CO-05M-1	174	CSWBRS-14-SM-1	331
CBL-241618-T*	288	CBMSL-301410-P-1	292	CO-07L-1	174	CSWBRS-14-SM-1	331
CBL-242007-B*	287	CBMSL-301410-P-1	292	CO-SET-1	174	CSWBRS-14-SM-1	331
CBL-242007-T*	288	CBMSL-301410-P-1	292	CP-BAGROLL-1	39, 41, 53, 63	CSWBRS-14-SM-1	331
CBL-242011-B*	287	CBMSL-301410-P-1	292	CP-FILTER-1	39, 41, 53, 63	CSWBRS-14-SM-1	331
CBL-242011-T*	288	CBMSL-301410-P-1	292	CPDR-1826	340	CSWBRS-14-SM-1	331
CBL-242018-B*	287	CBMSL-301410-P-1	292	CPDR-2635	340	CSWBRS-14-SM-1	331
CBL-242018-T*	288	CBMSL-301410-P-1	292	CPDR-2635ORB	340	CSWBRS-14-SM-1	331
CBL-301207-B*	287	CBMSL-301410-P-1	292	CPDR-3548	340	CSWBRS-14-SM-1	331
CBL-301207-T*	288	CBMSL-301410-P-1	292	CPDRSL-48SC	341	CSWBRS-14-SM-1	331
CBL-301211-B*	287	CBMSL-301410-P-1	292	CPRF-16CR-52	320	CSWBRS-14-SM-1	331
CBL-301211-T*	288	CBMSL-301410-P-1	292	CPRF-16ORB-52	320	CSWBRS-14-SM-1	331
CBL-301218-B*	287	CBMSL-301410-P-1	292	CPRF-16SN-52	320	CSWBRS-14-SM-1	331
CBL-301218-T*	288	CBMSL-301410-P-1	292	CPUIBSL-14-SM-1	327	CSWBRS-14-SM-1	331
CBL-301407-B*	287	CBMSL-301410-P-1	292	CPUIBSL-COVER-52	327	CSWBRS-14-SM-1	331

L-N1-24V3WM-30K-8M-1.....	443	L-SP15WA-65K-1.....	467	L-WLD-3RMT-BL-1.....	481	LD-2061-24BM-**-1.....	352
L-N1-24V3WM-35K-8M-1.....	443	L-SP3TCS-1.....	467	L-WLD-CCT-WH-1.....	419, 446, 451, 485	LD-2061-28BM-**-1.....	352
L-N1-24V3WM-48K-8M-1.....	443	L-SP6TCS-1.....	467	L-WLD-RGB-WH-1.....	446, 451, 485	LD-2061-32BM-**-1.....	352
L-N1-24V3WM-65K-8M-1.....	443	L-SP8WA-30K-1.....	467	L-WLDS-BL-1.....	483	LD-2062-18-**-1.....	352
L-N1-UCLP-1.....	442	L-SP8WA-40K-1.....	467	L-WLDS-NI-1.....	483	LD-2062-18BM-**-1.....	352
L-N2-12V3WM-27K-5M-1.....	442	L-SP8WA-50K-1.....	467	L-WLDSREC-1.....	482	LD-2062-24-**-1.....	352
L-N2-12V3WM-30K-5M-1.....	442	L-SP8WA-65K-1.....	467	L-WM5-BL-1.....	492	LD-2062-24BM-**-1.....	352
L-N2-12V3WM-35K-5M-1.....	442	L-SP90BTB4-1.....	467	L-WM5-BR-1.....	492	LD-2062-28-**-1.....	352
L-N2-12V3WM-48K-5M-1.....	442	L-SPBTB10-1.....	467	L-WM5-WH-1.....	492	LD-2062-28BM-**-1.....	352
L-N2-12V3WM-65K-5M-1.....	442	L-SPFL15WA-30K-1.....	469	L-X**-DIFF-CL-1.....	458	LD-2062-32-**-1.....	352
L-N2-24PKT-2M-1.....	443	L-SPFL15WA-40K-1.....	469	L-X**-DIFF-FR-1.....	458	LD-2062-32BM-**-1.....	352
L-N2-24V3WM-27K-8M-1.....	443	L-SPFL15WA-50K-1.....	469	L-X**-DIFF-MLK-1.....	458	LD-2063-1836-**-1.....	352
L-N2-24V3WM-30K-8M-1.....	443	L-SPFL15WA-65K-1.....	469	L-XANG72-**-1.....	458	LD-20BM1-04-10.....	352
L-N2-24V3WM-35K-8M-1.....	443	L-SPFL8WA-30K-1.....	469	L-XANG72-SC-1.....	458	LD-20BM2-04-5.....	352
L-N2-24V3WM-48K-8M-1.....	443	L-SPFL8WA-40K-1.....	469	L-XANGCBOYY-XX-1.....	489	LD-22-04-5.....	353
L-N2-24V3WM-65K-8M-1.....	443	L-SPFL8WA-50K-1.....	469	L-XANGDIMA-XX-1.....	489	LD-2201-32-**-10.....	353
L-N2-UCLP-1.....	442	L-SPFL8WA-65K-1.....	469	L-XANGGEC-**-1.....	458	LD-2261-32BM-**-1.....	353
L-P1SCRWDR-1.....	494, 495	L-SPLNK120-1.....	467	L-XANGGEC-XY-1.....	458	LD-2262-32-**-1.....	353
L-PINEXT-1.....	493, 495	L-SPLNK25-1.....	467	L-XCRV72-**-1.....	458	LD-2262-32BM-**-1.....	353
L-POC-3EQFR-CBL-1.....	417	L-SPLNK60-1.....	467	L-XCRV72-SC-1.....	458	LD-22BM1-04-10.....	353
L-POC-3EQFR-CNI-1.....	417	L-SPLNK8-1.....	467	L-XCRVCBOYY-XX-1.....	489	LD-22BM2-04-5.....	353
L-POC-3EQFR-WBL-1.....	417	L-SPPKT-1M-1.....	467	L-XCRVDIMA-XX-1.....	489	LD-24-04-5.....	353, 401
L-POC-3EQFR-WNI-1.....	417	L-SPPKT-305MM-1.....	467	L-XCRVECP-**-1.....	458	LD-24-0436-5.....	353, 401
L-POC-3LEDSFR-CAB-1.....	413	L-SPPKT-3M-1.....	467	L-XCRVECP-XY-1.....	458	LD-2401-18-**-10.....	353
L-POC-3LEDSFR-CBL-1.....	413	L-STKHO12-CNI-1.....	423	L-XFL72-SC-1.....	458	LD-2401-24-**-10.....	353
L-POC-3LEDSFR-CCH-1.....	413	L-STKHO12-WNI-1.....	423	L-XFL94-SC-1.....	458	LD-2401-28-**-10.....	353
L-POC-3LEDSFR-CNI-1.....	413	L-STKHO22-CNI-1.....	423	L-XLNK-120-**-1.....	459	LD-2401-32-**-10.....	353
L-POC-3LEDSFR-CWH-1.....	413	L-STKHO22-WNI-1.....	423	L-XLNK-15-**-1.....	459	LD-2472-18-**-1.....	353
L-POC-3LEDSFR-NBL-1.....	413	L-STKHO34-CNI-1.....	423	L-XLNK-180-**-1.....	459	LD-2472-18BM-**-1.....	353
L-POC-3LEDSFR-NNI-1.....	413	L-STKHO34-WNI-1.....	423	L-XLNK-25-**-1.....	459	LD-2472-24-**-1.....	353
L-POC-3LEDSFR-WAB-1.....	413	L-STKHO8-CNI-1.....	423	L-XLNK-60-**-1.....	459	LD-2472-24BM-**-1.....	353
L-POC-3LEDSFR-WBL-1.....	413	L-STKHO8-WNI-1.....	423	L-XPKT-2IN-BL-1.....	459	LD-2472-28-**-1.....	353
L-POC-3LEDSFR-WCH-1.....	413	L-TOOLKIT-1.....	495	L-XPKT-2IN-WH-1.....	459	LD-2472-28BM-**-1.....	353
L-POC-3LEDSFR-WNI-1.....	413	L-TPE-BTB-CCT-1.....	446	L-XPKT-2M-BL-1.....	459	LD-2472-32-**-1.....	353
L-POC-3LEDSFR-WORB-1.....	413	L-TPE-BTB-RGB-1.....	452	L-XPKT-2M-WH-1.....	459	LD-2472-32BM-**-1.....	353
L-POC-3LEDSFR-WWH-1.....	413	L-TPE6-12IN-**-K-1.....	463	L-XREC72-BL-1.....	458	LD-2473-1836-**-1.....	353
L-POC-4CCT24-BL-1.....	419	L-TPE6-24IN-**-K-1.....	463	L-XREC72-SC-1.....	458	LD-24BM1-04-10.....	353, 401
L-POC-4CCT24-NI-1.....	419	L-TPE6-48IN-**-K-1.....	463	L-XREC94-SC-1.....	458	LD-24BM2-04-5.....	353, 401
L-POC-4CCT24-WH-1.....	419	L-TPE6-96IN-**-K-1.....	463	L-XRECCBOYY-XX-1.....	489	LD-29-04-18-5.....	352
L-POC-5LEDSCL-CBL-1.....	415	L-TPELED-24RGB-1.....	451	L-XRECDIMA-XX-1.....	489	LD-29-04-5.....	352
L-POC-5LEDSCL-CNI-1.....	415	L-TPELNK-BTB-1.....	433	L-XRECECP-BL-1.....	458	LD-2901-18-**-10.....	352
L-POC-5LEDSCL-CWH-1.....	415	L-TPELNK120-CCT-1.....	447	L-XRECECP-XY-1.....	458	LD-2901-24-**-10.....	352
L-POC-5LEDSCL-WBL-1.....	415	L-TPELNK120-RGB-1.....	452	L-XRM42-155-1.....	459	LD-2901-28-**-10.....	352
L-POC-5LEDSCL-WNI-1.....	415	L-TPELNK15-CCT-1.....	447	L-XRND-UCLP-1.....	459	LD-2942-18-**-1.....	352
L-POC-5LEDSCL-WORB-1.....	415	L-TPELNK15-RGB-1.....	452	L-XRND72-BL-1.....	458	LD-2942-24-**-1.....	352
L-POC-5LEDSCL-WWH-1.....	415	L-TPELNK180-CCT-1.....	447	L-XRND72-SC-1.....	458	LD-2942-28-**-1.....	352
L-R1020SWA-1.....	499	L-TPELNK180-RGB-1.....	452	L-XRND-CBOYY-XX-1.....	489	LD-4BW-001-18SB-1.....	372
L-RDSW-1M-BL-1.....	491	L-TPELNK25-CCT-1.....	447	L-XRND-DIMA-XX-1.....	489	LD-4BW-001-18SB-8.....	372
L-RDSW-1M-WH-1.....	491	L-TPELNK25-RGB-1.....	452	L-XRNDECP-BL-1.....	458	LD-4BW-001-20SB-1.....	372
L-RDSW-2M-BL-1.....	491	L-TPELNK5-CCT-1.....	447	L-XRNDECP-XY-1.....	458	LD-4BW-001-20SB-8.....	372
L-RDSW-2M-WH-1.....	491	L-TPELNK5-RGB-1.....	452	L-XSBTB-1.....	435, 469	LD-4BW-001-24SB-1.....	372
L-RGBCCT-RMT-1.....	419, 446, 451, 486	L-TPELNK60-CCT-1.....	447	L-XSQR-UCLP-1.....	459	LD-4BW-001-24SB-8.....	372
L-RGBCCT1-CREC-1.....	484	L-TPELNK60-RGB-1.....	452	L-XSQR72-**-1.....	458	LD-4BW-001-28SB-1.....	372
L-RGBCCT1-CREC-1*.....	419, 446, 451	L-TPEPKT-2IN-1.....	433, 459	L-XSQR72-SC-1.....	458	LD-4BW-001-28SB-8.....	372
L-RGBCCT1-PREC-1.....	419, 446, 451, 484	L-TPEPKT-2IN-CCT-1.....	446	L-XSQRCBOYY-XX-1.....	489	LD-4BW-001-32SB-1.....	372
L-RGBEXT-120-1.....	451	L-TPEPKT-2IN-RGB-1.....	451	L-XSQRDIMA-XX-1.....	489	LD-4BW-001-32SB-8.....	372
L-RGBEXT-60-1.....	451	L-TPEPKT-2M-CCT-1.....	446	L-XSQRECP-**-1.....	458	LD-4BW-004-10.....	372, 401
L-RGBWIRE25-1.....	452	L-TPEPKT-2M-RGB-1.....	451	L-XSQRECP-XY-1.....	458	LD-4BW-004-4.....	372, 401
L-S16001WA-1.....	500	L-TRANS-MNT-BL-1.....	470, 471, 472, 473, 474, 495	L-XSQRSWCLP-1.....	459	LD-4BW-00436-4.....	372, 401
L-SD3001WA-1.....	501	L-VHBTP-1134-1.....	493, 495	LAZY SUSAN LIGHT KIT.....	375	LD-4BW-004BM1-8.....	401
L-SMPHO12-CNI-1.....	425	L-WCLP-WH-1.....	495	LD-0220-45-40.....	106	LD-4BW-004BM2-4.....	401
L-SMPHO12-WNI-1.....	425	L-WIO00UWA-1.....	502	LD-0220-50SC-40.....	106	LD-4BW-041-18-8.....	372
L-SMPHO22-CNI-1.....	425	L-WIO01UWA-1.....	503	LD-20-04-5.....	352	LD-4BW-041-20-8.....	372
L-SMPHO22-WNI-1.....	425	L-WIO02UWA-1.....	502	LD-20-0431-5.....	352, 353, 401	LD-4BW-041-24-8.....	372
L-SMPHO8-CNI-1.....	425	L-WIO04UWA-1.....	503	LD-20-0436-5.....	352	LD-4BW-041-28-8.....	372
L-SMPHO8-WNI-1.....	425	L-WLD-1REC-1.....	478, 479, 480, 481	LD-2001-18-**-10.....	352	LD-4BW-062-18-1.....	372
L-SMR-2LED-BL-1.....	417	L-WLD-1RND-BL-1.....	480	LD-2001-24-**-10.....	352	LD-4BW-062-20-1.....	372
L-SMR-2LED-NI-1.....	417	L-WLD-1RND-NI-1.....	480	LD-2001-28-**-10.....	352	LD-4BW-062-24-1.....	372
L-SP15WA-30K-1.....	467	L-WLD-1WAL-**-1.....	479	LD-2001-32-**-10.....	352	LD-4BW-062-28-1.....	372
L-SP15WA-40K-1.....	467	L-WLD-2WAL-**-1.....	479	LD-2061-18BM-**-1.....	352	LD-4BW-062-32-1.....	372

LD-4BW-063-1836-1.....	372	LD-4NW-401-28BS-1.....	388	RV DM17 KIT.....	39, 42, 43, 47, 275	SBVDT-2730-A-12.....	277
LD-4BW-063-2036-1.....	372	LD-4NW-401-28BS-8.....	388	RV-1024-17-10.....	45	SBVDT-2730-S-1.....	277
LD-4BW-201-20SBS-1.....	373	LD-4NW-401-28TBS-1.....	388	RV-1024-18-10.....	45	SBVDT-2730-S-12.....	277
LD-4BW-201-20SBS-8.....	373	LD-4NW-401-28TBS-6.....	388	RV-1024W.....	45	SBVDT-3336-A-1.....	277
LD-4BW-201-28SBS-1.....	373	LD-4NW-401-32BS-1.....	388	RV-12KD-17C S.....	42	SBVDT-3336-A-12.....	277
LD-4BW-201-28SBS-8.....	373	LD-4NW-401-32BS-8.....	388	RV-12KD-18C S.....	42	SBVDT-3336-S-1.....	277
LD-4BW-201-32SBS-1.....	373	LD-4NW-401-32TBS-1.....	388	RV-12KD-CK**S.....	39, 42	SBVDT-3336-S-12.....	277
LD-4BW-201-32SBS-8.....	373	LD-4NW-401-32TBS-6.....	388	RV-12PB.....	41	SHR-3684.....	346
LD-4BW-204-4.....	373, 401	LD-4NW-404-36-4.....	387, 388	RV-12PB S.....	41	ST-97-**4.....	101, 237
LD-4BW-20436-4.....	373, 401	LD-4NW-404-4.....	387, 388	RV-12PB-50.....	41	ST50-21*-12.....	224
LD-4BW-204BM1-8.....	373, 401	LD-4NW-404T-3.....	387, 388	RV-12PB-50 S.....	41	ST50-21*-52.....	224
LD-4BW-204BM2-4.....	373, 401	LD-4NW-441-18-8.....	388	RV-12PB-L.....	41	TBC-14TCR.....	306
LD-4BW-241-20-8.....	373	LD-4NW-441-28-8.....	388	RV-12PB-LE.....	41	TRC-12CR.....	307
LD-4BW-241-28-8.....	373	LD-4NW-441-28T-6.....	388	RV-15KD-17C S.....	42	TRC-12NS-CR.....	306
LD-4BW-241-32-8.....	373	LD-4NW-441-32-8.....	388	RV-15KD-18C S.....	42	TRC-12NS-ORB.....	306
LD-4BW-262-20-1.....	373	LD-4NW-441-32T-6.....	388	RV-15PB-2 S.....	41	TRC-12NS-SN.....	306
LD-4BW-262-28-1.....	373	LD-4NW-441-32T-6.....	388	RV-18KD-17C S.....	42	TRC-14CR.....	307
LD-4BW-262-32-1.....	373	LD-4NW-472-18-1.....	388	RV-18KD-18C S.....	42	TRC-14ORB.....	307
LD-4BW-263-2036-1.....	373	LD-4NW-472-28-1.....	388	RV-18PB-1.....	41	TRC-14SN.....	307
LD-4BW-263-2036-1.....	373	LD-4NW-472-32-1.....	388	RV-18PB-2 S.....	41	TRC-14SN.....	307
LD-4BW-401-28SBS-1.....	373	LD-4NW-882-32-1.....	89, 386	RV-20-14-6.....	45	TRCPOSL-14-BZ-1.....	297
LD-4BW-401-28SBS-8.....	374	LD-4NW-882-35-1.....	89, 386	RV-20-6.....	45	TRCPOSL-14-CR-1.....	297
LD-4BW-401-32SBS-1.....	373	LD-4NW-882-38-1.....	89, 386	RV-32-11-8.....	45	TRCPOSL-14-SN-1.....	297
LD-4BW-401-32SBS-8.....	374	LD-4NW-901-28-8.....	386	RV-32-14-8.....	45	TRCSL-14NS-CR-1.....	304
LD-4BW-404-4.....	401	LD-4NW-942-28-1.....	386	RV-32-14-8.....	45	TWCSC-1550DM-1.....	50
LD-4BW-441-24-8.....	374	LD-4WLS940-04-28-4.....	386	RV-35-12-8.....	45	TWCSC-15DM-1.....	50
LD-4BW-441-28-8.....	374	LD-597-12CR-1.....	124	RV-35-13-8.....	45	TWCSC-1850DM-2.....	50
LD-4BW-441-32-8.....	374	LD-597-12CR-10.....	124	RV-35-15-52.....	45	TWCSC-18DM-2.....	50
LD-4BW-472-24-1.....	373	LD-597-18CR-1.....	124	RV-35-17-8.....	45	TWCSC-2150DM-2.....	50
LD-4BW-472-28-1.....	373	LD-597-18CR-10.....	124	RV-35-18-8.....	45	TWCSC-21DM-2.....	50
LD-4BW-472-32-1.....	373	LD-6591-22-**-1.....	100	RV-35-8.....	45	TWCSD-1550DM-1.....	50
LD-4BW-941-28-8.....	372	LD-6591-22-**-10.....	100	RV-35-LID-1.....	46	TWCSD-15DM-1.....	50
LD-4BW-942-28-1.....	372	LD-6591-24-**-1.....	100	RV-35-LID-12-1.....	46	TWCSD-1850DM-2.....	50
LD-4CT15-1.....	220	LD-6591-24-**-10.....	100	RV-35-LID-13-1.....	46	TWCSD-18DM-2.....	50
LD-4CT21-1.....	220	LD-6591-30-**-1.....	100	RV-35-LID-17-1.....	46	TWCSD-2150DM-2.....	50
LD-4NW-001-18B-1.....	386	LD-6591-30-**-10.....	100	RV-35-LID-18-1.....	46	TWCSD-21DM-2.....	50
LD-4NW-001-18B-8.....	386	LD-6591-30-**-10.....	100	RV-35-LID-G-1.....	46	UT-10*-10.....	223
LD-4NW-001-24B-1.....	386	ML-MPHDSCCR-18.....	171	RV-50-12-8.....	45	UT-10*-52.....	223
LD-4NW-001-24B-8.....	386	ML-WNHDS COG-18FL.....	171	RV-50-13-8.....	45	UT-12*-20.....	223
LD-4NW-001-28B-1.....	386	NSLS-KM-28S-7.....	393	RV-50-17-8.....	45	UT-12*-52.....	223
LD-4NW-001-28B-8.....	386	NSLS-KM-32S-7.....	393	RV-50-8.....	45	UT-15*-20.....	223
LD-4NW-001-32B-1.....	386	PSC-1814CR.....	319	RV-50-LID-1.....	46	UT-15*-52.....	223
LD-4NW-001-32B-8.....	386	PSC-2414CR.....	319	RV-50-LID-12-1.....	46	UT-18*-10.....	223
LD-4NW-004-4.....	386	PSC-3014CR.....	319	RV-50-LID-13-1.....	46	UT-18*-52.....	223
LD-4NW-041-18-8.....	386	PSCSL-1814SC-BZ-1.....	318	RV-50-LID-13-1.....	46	VIB-20CR.....	257, 333
LD-4NW-041-24-8.....	386	PSCSL-1814SC-SC-1.....	318	RV-50-LID-17-1.....	46		
LD-4NW-041-28-8.....	386	PSCSL-1814SC-SN-1.....	318	RV-50-LID-18-1.....	46		
LD-4NW-041-32-8.....	386	PSCSL-2414SC-BZ-1.....	318	RV-50-LID-G-1.....	46		
LD-4NW-0436-1.....	386	PSCSL-2414SC-SC-1.....	318	RV-8-1711-1.....	45		
LD-4NW-072-18-1.....	386	PSCSL-2414SC-SN-1.....	318	RV-8-1719-1.....	45		
LD-4NW-072-24-1.....	386	PSCSL-3014SC-BZ-1.....	318	RV-9PB.....	41		
LD-4NW-072-28-1.....	386	PSCSL-3014SC-SC-1.....	318	RV-9PB S.....	41		
LD-4NW-072-32-1.....	386	PSCSL-3014SC-SN-1.....	318	RV-DM-FDKIT.....	227		
LD-4NW-073-1836-1.....	386	RAL-101-1.....	98	SBDT-2730-A-1.....	97		
LD-4NW-201-20BS-1.....	387	RAS 305-12-0**-1.....	402	SBDT-2730-A-12.....	97		
LD-4NW-201-20BS-8.....	387	RAS 305-34-0**-1.....	402	SBDT-2730-OG-1.....	97		
LD-4NW-201-20TBS-1.....	387	RAS 305-58-0**-1.....	402	SBDT-2730-S-1.....	97		
LD-4NW-201-20TBS-6.....	387	RAS-CIB-COVER-R-52.....	333	SBDT-2730-S-12.....	97		
LD-4NW-201-28BS-1.....	387	RAS-FD-KIT.....	227	SBDT-3336-A-1.....	97		
LD-4NW-201-28BS-8.....	387	RAS-FDSM-DM15-1.....	226	SBDT-3336-A-12.....	97		
LD-4NW-201-32BS-1.....	387	RAS-LGFD-52.....	227	SBDT-3336-OG-1.....	97		
LD-4NW-201-32BS-8.....	387	RAS-ML-HDCR.....	171	SBDT-3336-S-1.....	97		
LD-4NW-201-32TBS-1.....	387	RAS-ML-HDSC.....	171	SBDT-3336-S-12.....	97		
LD-4NW-201-32TBS-6.....	387	RAS-ML-HDS COG.....	171	SBDT-3942-A-1.....	97		
LD-4NW-241-20-8.....	387	RAS-SMFD-52.....	227	SBDT-3942-A-12.....	97		
LD-4NW-241-20T-6.....	387	RAS-VIB-COVER-52.....	257, 333	SBDT-3942-OG-1.....	97		
LD-4NW-241-28-8.....	387	RL-201-1.....	98	SBDT-3942-S-1.....	97		
LD-4NW-241-32-8.....	387	RL-202-1.....	98	SBDT-3942-S-12.....	97		
LD-4NW-241-32T-6.....	387	RUKD-1420RB-1.....	43, 275	SBVDT-2124-A-1.....	277		
LD-4NW-272-20-1.....	387	RUKD-1432RB-1.....	43, 275	SBVDT-2124-A-12.....	277		
LD-4NW-272-28-1.....	387	RUKD-820-1.....	43, 275	SBVDT-2124-S-1.....	277		
LD-4NW-272-32-1.....	387	RUKD-932-1.....	43, 275	SBVDT-2124-S-12.....	277		
		RV DM KIT.....	39, 41, 47, 266, 267	SBVDT-2730-A-1.....	277		



KITCHEN DEALER PROGRAM

Rev-A-Shelf's Kitchen Dealer Program is the perfect solution for cabinet shops and designers. Our program binder is designed to help you add value with Rev-A-Shelf® products to all of your kitchen projects. Members are sent quarterly updates on the latest innovations from Rev-A-Shelf®. Ask your authorized distributor to sign you up today!



DISPLAY PROGRAM

Our complete line of cabinet storage organizing accessories boast distinct advantages in strength, design, ease of installation and aesthetics that can only be sold effectively through working displays. Many of our customers experience great results by installing products in kitchen dealer, custom shops and home center kitchen and bath displays. We also have floor displays and salesman samples available that can further serve as effective tools.

Our Program: A 50% discount is available to you, the distributor, for each display product unit placed in a showroom or display unit placed in a showroom or display fixture. Verification of installment to claim the rebate should be handled through your Rev-A-Shelf® representative on a monthly basis. Proper documentation with contact info must be provided for each discounted product.

! PROP 65 FOR CALIFORNIA RESIDENTS

The safety of our customers and employees is of highest priority for Rev-A-Shelf. We want to assure you of our 30 + year commitment to offering among the highest quality and safest products in the industry. Rev-A-Shelf® has always abided by state and federal regulations. California voters approved Proposition 65 in 1986, creating the Safe Drinking Water and Toxic Enforcement Act. Despite differing opinions about recent California label requirements with this California law, Rev-A-Shelf® must honor these compliance regulations.

Most importantly, we promise to also honor the trust you have placed in us with your purchase or possible purchase of our products. We will honor your trust by offering organizational products of enduring quality, lasting beauty and uncompromising safety to you and your family.

DISCLAIMER

Rev-A-Shelf® makes every effort to verify and ensure that our product specifications are correct and up to date. We reserve the right to make engineering changes that affect any critical product dimension without notice. Rev-A-Shelf® shall not be held liable for any cost related to such a change, misprint, instruction, or product template error.

WARRANTY

REV-A-SHELF® COMPANY, LLC ("REV-A-SHELF®") WARRANTS ITS PRODUCTS (INCLUDING BUT NOT LIMITED TO THOSE WITH THE REV-A-SHELF® AND TRESKO LIGHTING® BRANDS) (HEREIN, "PRODUCTS") TO BE FREE FROM DEFECTS IN MATERIAL AND WORKMANSHIP FOR A LIMITED PERIOD OF TIME FROM THE DATE OF ORIGINAL PURCHASE AS SPECIFIED IN THE REV-A-SHELF COMPANY, LLC LIMITED WARRANTY DURATION CHART ("DURATION CHART") AT www.rev-a-shelf.com/our-warranty. YOU MAY ALSO CONTACT REV-A-SHELF® AT 1.800.626.1126 FOR A COPY OF THE DURATION CHART. THIS WARRANTY IS LIMITED TO THE ORIGINAL END USER OF THE PRODUCTS.

BECAUSE REV-A-SHELF® CANNOT CONTROL THE QUALITY OF PRODUCTS SOLD BY UNAUTHORIZED SELLERS, THIS LIMITED WARRANTY APPLIES ONLY TO PRODUCTS THAT WERE PURCHASED FROM REV-A-SHELF OR A REV-A-SHELF® AUTHORIZED SELLER, UNLESS OTHERWISE PROHIBITED BY LAW. REV-A-SHELF® RESERVES THE RIGHT TO REJECT WARRANTY CLAIMS FOR PRODUCTS PURCHASED FROM UNAUTHORIZED SELLERS, INCLUDING UNAUTHORIZED INTERNET SITES.

THIS LIMITED WARRANTY ALSO DOES NOT COVER ANY DEFECTS DUE TO NORMAL WEAR AND TEAR, DAMAGE DUE TO MISUSE, ALTERATION TO THE PRODUCT, NEGLIGENCE, OR FOR ANY FAILURE OF THE PRODUCTS THAT RESULTS FROM EXTERNAL CAUSES SUCH AS: ACTS OF NATURE; PHYSICAL DAMAGE; EXPOSURE TO ADVERSE OR HAZARDOUS CHEMICAL OR OTHER SUBSTANCES, USE OF REACTIVE CLEANING AGENTS AND/OR HARSH CHEMICALS TO CLEAN THE PRODUCTS; ENVIRONMENTAL CONDITIONS; VANDALISM; FIRE; POWER FAILURE, IMPROPER POWER SUPPLY, POWER SURGES OR DIPS; IMPROPER USE, INSTALLATION, HANDLING, ALTERATION, STORAGE, THE FAILURE TO ABIDE BY ANY PRODUCT CLASSIFICATIONS OR CERTIFICATIONS, OR FAILURE TO COMPLY WITH ANY APPLICABLE STANDARDS, CODES, RECOMMENDATIONS, PRODUCT SPECIFICATION SHEETS OR INSTRUCTION SHEETS BY REV-A-SHELF®; FAILURES OR PERFORMANCE ISSUES ARISING FROM USE OF THE PRODUCTS WITH THIRD PARTY PRODUCTS, PROCESSES, OR MATERIALS SUPPLIED BY ANY END USER OR THIRD PARTY. THIS LIMITED WARRANTY ALSO DOES NOT COVER ANY REPLACEABLE BATTERIES INCLUDED WITH ITEMS OR CORDS OF ANY TYPE.

WARRANTY CONT'D

THERE ARE NO WARRANTIES WHICH EXTEND BEYOND THOSE STATED HEREIN. ANY IMPLIED WARRANTIES THAT MAY BE APPLICABLE TO PRODUCTS, INCLUDING IMPLIED WARRANTIES OF MERCHANTABILITY OR FITNESS FOR A PARTICULAR PURPOSE, ARE LIMITED IN DURATION TO THE DURATION OF THIS WARRANTY. SOME STATES DO NOT ALLOW LIMITATIONS ON HOW LONG AN IMPLIED WARRANTY LASTS, SO THE ABOVE LIMITATION MAY NOT APPLY TO YOU.

REV-A-SHELF SHALL NOT BE LIABLE FOR INCIDENTAL OR CONSEQUENTIAL LOSSES, DAMAGES OR EXPENSES, DIRECTLY OR INDIRECTLY ARISING FROM THE SALE, HANDLING OR USE OF THE PRODUCTS, OR FROM ANY OTHER CAUSE RELATING DIRECTLY OR INDIRECTLY THERETO, AND REV-A-SHELF'S LIABILITY IN ANY CASE IS EXPRESSLY LIMITED TO THE REPAIR OR REPLACEMENT (IN THE FORM ORIGINALLY SHIPPED) OF THE DEFECTIVE PRODUCTS, OR, AT REV-A-SHELF'S ELECTION, TO THE REPAYMENT OF, OR CREDIT OF, CLAIMANT WITH AN AMOUNT EQUAL TO THE PURCHASE PRICE OF SUCH PRODUCT, WHETHER SUCH CLAIMS ARE FOR BREACH OF WARRANTY, NEGLIGENCE, OR OTHERWISE. ANY ACTION FOR DAMAGE MUST BE COMMENCED AFTER THE ACCRUAL OF THE CAUSE OF ACTION. **SOME STATES DO NOT ALLOW THE EXCLUSION OR LIMITATION OF INCIDENTAL OR CONSEQUENTIAL DAMAGES, SO THE ABOVE LIMITATION OR EXCLUSION MAY NOT APPLY TO YOU. THIS WARRANTY GIVES YOU SPECIFIC LEGAL RIGHTS, AND YOU MAY ALSO HAVE OTHER RIGHTS WHICH VARY FROM STATE TO STATE.**

To make a warranty claim, please contact Rev-A-Shelf® at 1.800.626.1126 and be prepared to answer questions regarding the Product and its condition, the original date of purchase, and from whom you purchased the Product. Rev-A-Shelf® reserves the right to request proof of purchase, in its sole discretion.

Rev-A-Shelf® shall have the right to require the claimant, at claimant's expense, to return to a designated factory for inspection or repair any Product claimed to be defective. The determination of Rev-A-Shelf® as to the existence of a valid claim for replacement, repair, refund, or Rev-A-Shelf® credit under this warranty, shall be conclusive. Claimant shall be responsible for the labor costs in removing a defective Product. Claimant shall also be responsible for the shipping and handling costs associated with any repaired product or replacement product. In limited circumstances, Rev-A-Shelf®, in its sole discretion, may waive such fees. Replacement parts shall be furnished F.O.B. factory. Any Product that is returned without production code stickers or stamps will automatically be denied under these warranty terms.

DISCLAIMER

Warranty Effective Date: March 15th, 2020

Rev-A-Shelf® makes every effort to verify and ensure that our product specifications are correct and up to date. However we reserve the right to make engineering changes that affect any critical product dimension without notice. Rev-A-Shelf shall not be held liable for any cost related to such change, misprint, instruction, or product template error.



WE ARE HONORED!

Rev-A-Shelf® is a proud sponsor of the nonprofit organization, Homes for Our Troops, which builds specially adapted, mortgage-free homes nationwide for the most severely injured Veterans of Post 9/11, to enable them to rebuild their lives. During the three year partnership, Rev-A-Shelf® will work with Homes for Our Troops' Veterans and general contractors to furnish all homes with cabinet storage and organization accessories, providing optimal accessibility for home recipients. "We are honored to participate in this program to support our nation's brave service members," said David Noe, general manager of Rev-A-Shelf, LLC. "Homes for Our Troops is doing an excellent service for America's injured Veterans, and we are proud to partner with this wonderful organization."

(HFOT) is a privately funded 501(c) (3) nonprofit organization that builds specially adapted, mortgage-free homes nationwide for the most severely injured Veterans from Iraq and Afghanistan. Most of these Veterans have sustained life-altering injuries including multiple limb amputations, partial or full paralysis, and/or severe traumatic brain injury (TBI). These homes restore some of the freedom and independence our Veterans sacrificed while defending our country, and enable them to focus on their family, recovery, and rebuilding their lives. Since its founding in 2004, nearly 90 cents of every dollar donated to HFOT has gone directly to our program services for Veterans. HFOT builds these homes where the Veteran chooses to live, and continues its relationship with the Veterans after home delivery to assist them with rebuilding their lives. For more information about Rev-A-Shelf's partnership with Homes for Our Troops, visit www.hfotusa.org.

